

ALPINE - Wall Mount - Remote Driver - LED Color Tuning - Dual - Downlight and Uplight

TEMPORARILY UNAVAILABLE



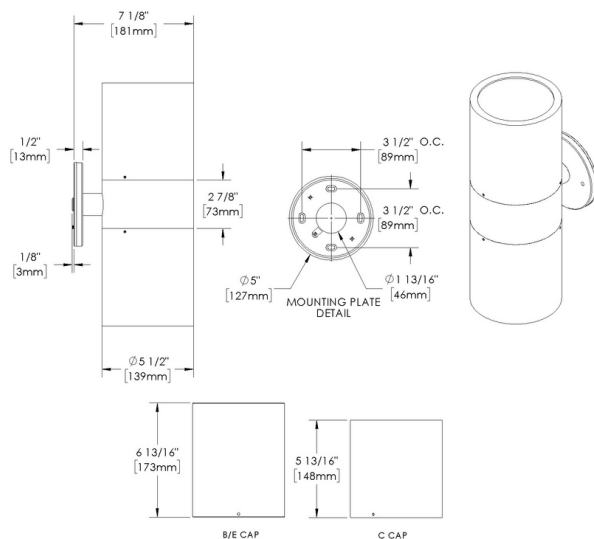
IP66



Downloads

- Product Images (.zip)
- Technical Drawing (.zip)
- 2D (.dwg)
- 2D (.dxf)
- IES Files (.zip)
- BIM - Revit (.zip)
- Installation Instructions (.pdf)

Product Variant Examples



ALPINE - Wall Mount - Remote Driver - LED Color Tuning - Dual - Downlight and Uplight

Available Logic & Configurations

AP- **WM-** **RMD-** **LCT-** **AL-** **BC-** **___-** **DD-**
01 02 03 04 05 06B 06C 06D

01 SERIES
AP - ALPINE
02 CATEGORY
WM - Wall Mount
03 DRIVER
RMD - Remote Driver
04 LIGHT SOURCE (TYPE)
LCT - LED Color Tuning

C26- **C26-** **___-** **___-** **12-** **12-** **___-** **___-** **WL00-** **___-**
07 07 08 08 10A 10A 10B 10B 11 12
(Up) (Down) (Up) (Down) (Up) (Down) (Up) (Down)

07 LIGHT SOURCE (Up / Down)
C26 - 1650-8000K + Saturation and Hue CRI95+ - 42W
08 OPTIC (Up / Down)
SP - Spot (16°)
MFL - Medium Flood (34°)
FL - Flood (41°)

05 MATERIAL
AL - Aluminum
06B MOUNT
BC - Canopy
06C STYLE
CB - Cap B - 90° (With Weephole)
CC - Cap C - Flush Lens
CE - Cap E - 90°
06D VERSION
DD - Dual - Downlight and Uplight

10A LENS (Up / Down)
12 - Soft Focus
10B SHIELDING (Up / Down)
00 - Not included (Standard)
11 - Honeycomb Baffle
11 WIRING LENGTH
WL00 - Standard
12 FINISH
Standard Finishes
BLP, BZP, WHP, SAP, BLW, BZW, WHW, VER
Premium Finishes
CMG, SMG, RMG, AMG, TXF, BCM, BGE, WCP, OCP, HUG, ABP, BPP, SDS,
WIR, CAP, CRM, AQW, NBP
Other - RAL
RAL
Other - Custom Color
CUS

NOTE: Not all configurations may be compatible with one another. Please configure the product for specific 2D, Photometry, Downloads, Spec Sheet and Compatible mountings and power supplies.

WARNING: This is a remote driver product. Please check "Mountings With A Power Supply" or "Power Supplies" to order remote driver separately. (IMPORTANT: Driver wattage MUST match selected fixture wattage. Example: 12W Light Source = 12W Driver)

ALPINE - Wall Mount - Remote Driver - LED Color Tuning - Dual - Downlight and Uplight

Features



Anti-condensation vent allows moisture to exit the fixture but never enter in



Lens factory adhered to fixture cap providing hermetically sealed optical compartment



Machined solid billet canopy provides unmatched strength and durability



Manufactured in the USA with sustainable processes



Water-tight anti-siphon plug prevents moisture ingress from wireways



Secured with tamper-resistant, stainless steel hardware



Easily replaceable modular components reduce waste and extend fixture life



Slip fit cap & high temp. silicone 'O' ring provides reliable water-tight seal



Solid billet fixture body provides unmatched durability and heat management

Technical

Driver: Remote Driver

Light Source (Type): LED Color Tuning

Material: Aluminum

CCT (K): 2700, 3000, 4000, 1650 - 8000

CRI: 95, 90

Input Power (W): 42

Delivered Lumens (lm): 787 - 1345

Beam Angle (°): 16, 34, 41

Mount: Surface Mount

Style: Cap B - 90° (With Weephole), Cap C - Flush Lens, Cap E - 90°

Version: Dual - Downlight and Uplight

Lens: Soft Focus

Shielding: Not included (Standard), Honeycomb Baffle

Wiring Length: Standard

Finish: Standard Finishes, Premium Finishes, Other - RAL, Other - Custom Color

Body: Unibody design, with enclosed, water-proof wireway and integral heat sink, fully machined from solid billet.

Material Detail: Furnished in copper-free aluminum (6061-T6).

Light Source Detail: LED Color Tuning

Optics: Interchangeable optics permit changes in the field.

Hardware: Tamper-resistant, stainless steel hardware. Hardware is black oxide treated for additional corrosion resistance.

Sealing: 'O' Ring provides water-tight seal.

Finish Detail: StarGuard, our 15-stage chromate-free process, cleans and conversion coats aluminum components prior to application of Class 'A' TGIC polyester powder coating. It is RoHS compliant.

Warranty: 5-year limited warranty.

WARNING: This is a remote driver product. Please check "Mountings With A Power Supply" or "Power Supplies" to order remote driver separately. (IMPORTANT: Driver wattage MUST match selected fixture wattage. Example: 12W Light Source = 12W Driver)

ALPINE - Wall Mount - Remote Driver - LED Color Tuning - Dual - Downlight and Uplight

Finishes

STANDARD FINISHES



PREMIUM FINISHES



OTHER - RAL



OTHER - CUSTOM COLOR



ALPINE - Wall Mount - Remote Driver - LED Color Tuning - Dual - Downlight and Uplight

Light Source

Light Source	Optic	Beam Angle	CCT (K)	CRI	R9	Input Power (W)	Delivered Lumens (Lm)	CBCP
C26	SP - Spot	16	1650 - 8000	90	>50	42		
C26	SP - Spot	16	2700	95	>50	42	834	5824
C26	SP - Spot	16	3000	95	>50	42	968	6763
C26	SP - Spot	16	4000	95	>50	42	1345	9393
C26	MFL - Medium Flood	34	1650 - 8000	90	>50	42		
C26	MFL - Medium Flood	34	2700	95	>50	42	801	2113
C26	MFL - Medium Flood	34	3000	95	>50	42	930	2454
C26	MFL - Medium Flood	34	4000	95	>50	42	1292	3408
C26	FL - Flood	41	1650 - 8000	90	>50	42		
C26	FL - Flood	41	2700	95	>50	42	787	1611
C26	FL - Flood	41	3000	95	>50	42	914	2076
C26	FL - Flood	41	4000	95	>50	42	1269	2598