

ALPINE - Ceiling Mount - Line Voltage - LED COB - Asymmetrical Optics

NEW



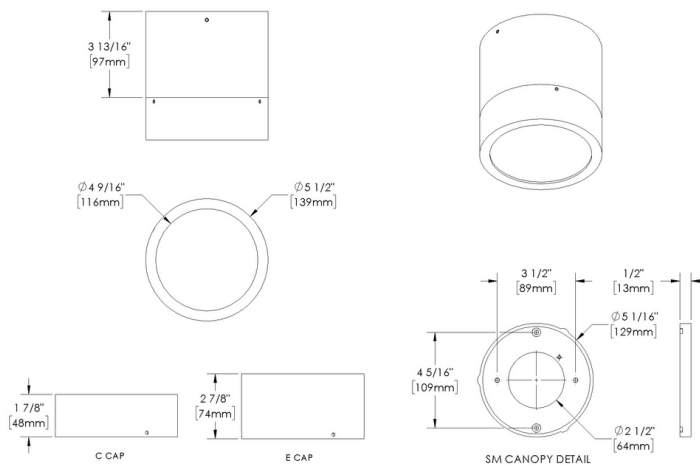
IP66



Downloads

- Product Images (.zip)
- Technical Drawing (.zip)
- 2D (.dwg)
- 2D (.dxf)
- IES Files (.zip)
- BIM - Revit (.zip)
- Installation Instructions (.pdf)

Product Variant Examples



AMERICAN MADE + EMPLOYEE OWNED | 40429 Brickyard Drive, Madera, CA 93636 | +1 (559) 438-5800 | info@bklighting.com | bklighting.com

Copyright © B-K Lighting, Inc. This document contains proprietary information of B-K Lighting, inc. and its receipt or possession does not convey any rights to reproduce, disclose its contents, or to manufacture, use or sell anything it may describe.

Technical information is subject to change at the discretion of B-K Lighting Inc. For the most current technical data, please refer to bklighting.com

ALPINE - Ceiling Mount - Line Voltage - LED COB - Asymmetrical Optics

Available Logic & Configurations

AP- 01 **CM-** 02 **LID-** 03 **LCB-** 04 **AL-** 05 **SM-** 06B - 06C - 06D - 06E

- 01 SERIES**
AP - ALPINE
- 02 CATEGORY**
CM - Ceiling Mount
- 03 DRIVER**
LID - Line Voltage
- 04 LIGHT SOURCE (TYPE)**
LCB - LED COB

- 05 MATERIAL**
AL - Aluminum
- 06B MOUNT**
SM - Surface Mount
- 06C STYLE**
CC - Cap C - Flush Lens
CE - Cap E - 90°
- 06D VERSION**
OASY-BW - Asymmetrical Optics - Batwing
OASY-WW - Asymmetrical Optics - Wall Wash
- 06E INPUT VOLTAGE**
120 - 120V
277 - 277V

 - 07 - 08 - 09 - 10B **WL00-** 11 - 12

- 07 LIGHT SOURCE**
x43 - 2700K CRI80 - 34W (2745 - 2745 lm)
x44 - 3000K CRI80 - 34W (2785 - 2785 lm)
x45 - 4000K CRI80 - 34W (2937 - 2937 lm)
x46 - 2700K CRI80 - 42W (2955 - 2955 lm)
x47 - 3000K CRI80 - 42W (3069 - 3069 lm)
x48 - 4000K CRI80 - 42W (3117 - 3117 lm)
- 08 OPTIC**
WW - Wall Wash
BW - Batwing

- 09 CONTROL**
ELV - ELV Dimming (For use with Electronic Low Voltage Dimmer. 120V only.)
INC - INC Dimming (For use with Incandescent Dimmer. 120V only.)
010 - 0-10V (120V,277V)
- 10B SHIELDING**
00 - Not included (Standard)
11 - Honeycomb Baffle
- 11 WIRING LENGTH**
WL00 - Standard
- 12 FINISH**
Standard Finishes
BLP, BZP, WHP, SAP, BLW, BZW, WHW, VER
Premium Finishes
CMG, SMG, RMG, AMG, TXF, BCM, BGE, WCP, OCP, HUG, ABP, BPP, SDS,
WIR, CAP, CRM, AQW, NBP
Other - RAL
RAL
Other - Custom Color
CUS

NOTE: Not all configurations may be compatible with one another. Please configure the product for specific 2D, Photometry, Downloads, Spec Sheet and Compatible mountings and power supplies.

ALPINE - Ceiling Mount - Line Voltage - LED COB - Asymmetrical Optics

Features



Anti-condensation vent allows moisture to exit the fixture but never enter in



Lens factory adhered to fixture cap providing hermetically sealed optical compartment



Manufactured in the USA with sustainable processes



Water-tight anti-siphon plug prevents moisture ingress from wireways



Secured with tamper-resistant, stainless steel hardware



Easily replaceable modular components reduce waste and extend fixture life



Slip fit cap & high temp. silicone 'O' ring provides reliable water-tight seal



Solid billet fixture body provides unmatched durability and heat management

Technical

Driver: Line Voltage

Light Source (Type): LED COB

Material: Aluminum

CCT (K): 2700, 3000, 4000

CRI: 80

Input Power (W): 34, 42

Delivered Lumens (lm): 2745 - 3117

Control: 0-10V (120V,277V), ELV Dimming (For use with Electronic Low Voltage Dimmer. 120V only.), INC Dimming (For use with Incandescent Dimmer. 120V only.)

Mount: Surface Mount

Style: Cap C - Flush Lens, Cap E - 90°

Version: Asymmetrical Optics - Batwing, Asymmetrical Optics - Wall Wash

Input Voltage: 120V, 277V

Shielding: Not included (Standard), Honeycomb Baffle

Wiring Length: Standard

Finish: Standard Finishes, Premium Finishes, Other - RAL, Other - Custom Color

Body: Unibody design with enclosed, water-proof wireway, integral heat sink, fully machined from solid billet, anti-condensation and corrosion vent equalizes fixture pressure and eliminates potential for damage to internal components.

Material Detail: Furnished in copper-free aluminum (6061-T6).

Light Source Detail: COB (Chip on Board) technology and modular design with electrical quick disconnects.

Optics: Interchangeable optics permit changes in the field., Batwing Optics control light for even illumination with superior spacing. They deliver wide-angle distribution, minimize glare above 60°, and balance spacing with visual comfort. Achieve uniform lighting and save energy by using fewer fixtures.

Hardware: Tamper-resistant, stainless steel hardware.

Sealing: 'O' Ring provides water-tight seal., Anti-condensation and corrosion vent equalizes fixture pressure and eliminates potential for damage to internal components.

Finish Detail: StarGuard, our 15-stage chromate-free process, cleans and conversion coats aluminum components prior to application of Class 'A' TGIC polyester powder coating. It is RoHS compliant.

Warranty: 5-year limited warranty.

ALPINE - Ceiling Mount - Line Voltage - LED COB - Asymmetrical Optics

Finishes

STANDARD FINISHES



[BLP] Satin Black



[BZP] Satin Bronze



[WHP] Satin White



[SAP] Satin Aluminum



[BLW] Black Wrinkle



[BZW] Bronze Wrinkle



[WHW] White Wrinkle



[VER] Verde

PREMIUM FINISHES



[CMG] Cascade Mountain Granite



[SMG] Sierra Mountain Granite



[RMG] Rocky Mountain Granite



[AMG] Aleutian Mountain Granite



[TXF] Textured Forest



[BCM] Black Chrome



[BGE] Beige



[WCP] Weathered Copper



[OCP] Old Copper



[HUG] Hunter Green



[ABP] Antique Brass Powder



[BPP] Brown Patina Powder



[SDS] Sonoran Desert Sandstone



[WIR] Weathered Iron



[CAP] Clear Anodized Powder



[CRM] Cream



[AQW] Antique White



[NBP] Natural Brass Powder

OTHER - RAL



[RAL] RAL Color

OTHER - CUSTOM COLOR



[CUS] Custom Color

ALPINE - Ceiling Mount - Line Voltage - LED COB - Asymmetrical Optics

Light Source

Light Source	Optic	Beam Angle	CCT (K)	CRI	R9	Input Power (W)	Delivered Lumens (Lm)	CBCP
x43	BW - Batwing	60	2700	80	>15	34	2745	
x44	BW - Batwing	60	3000	80	>15	34	2785	
x45	BW - Batwing	60	4000	80	>15	34	2937	
x46	BW - Batwing	60	2700	80	>15	42	2955	
x47	BW - Batwing	60	3000	80	>15	42	3069	
x48	BW - Batwing	60	4000	80	>15	42	3117	
x43	WW - Wall Wash	60	2700	80	>15	34	2890	
x44	WW - Wall Wash	60	3000	80	>15	34	3015	
x45	WW - Wall Wash	60	4000	80	>15	34	3092	