

DENALI - Wall Mount - Line Voltage - LED COB - Style C - 2 Fixtures

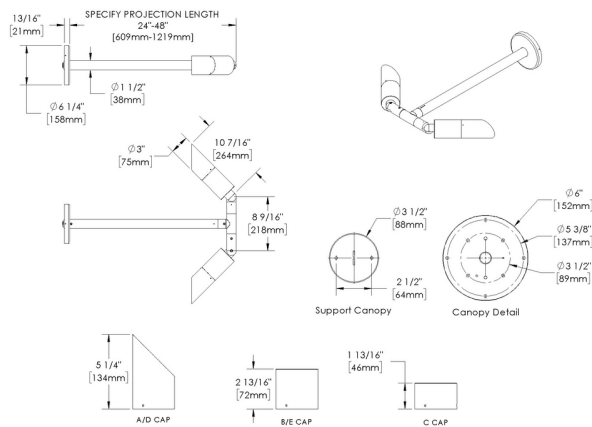
UPGRADED



Downloads

- Product Images (.zip)
- Technical Drawing (.zip)
- 2D (.dwg)
- 2D (.dxf)
- IES Files (.zip)
- BIM - Revit (.zip)
- Installation Instructions (.pdf)

Product Variant Examples



DENALI - Wall Mount - Line Voltage - LED COB - Style C - 2 Fixtures

Available Logic & Configurations

DE- **WM-** **LID-** **LCB-** **AL-** **BC14-** **-** **SC-F20-** **-** **-**
 01 02 03 04 05 06B 06C 06D 06E 06F

01 SERIES

DE - DENALI

02 CATEGORY

WM - Wall Mount

03 DRIVER

LID - Line Voltage

04 LIGHT SOURCE (TYPE)

LCB - LED COB

05 MATERIAL

AL - Aluminum

06B MOUNT

BC14 - Canopy BC14

06C STYLE

CA - Cap A - 45° (With Weephole)

CB - Cap B - 90° (With Weephole)

CC - Cap C - Flush Lens

CD - Cap D - 45°

CE - Cap E - 90°

06D VERSION

SC-F20 - Style C - 2 Fixtures

06E INPUT VOLTAGE

120 - 120V

277 - 277V

06F SIZE

ST24 - Stem length: 24"

ST30 - Stem length: 30"

ST36 - Stem length: 36"

ST42 - Stem length: 42"

ST48 - Stem length: 48"

- **-** **-** **-** **-** **-**
 07 08 09 10A 10B 11 12

07 LIGHT SOURCE

x98 - 2700K CRI80 - 13W (829 - 1180 lm)

x99 - 3000K CRI80 - 13W (869 - 1237 lm)

x100 - 4000K CRI80 - 13W (903 - 1285 lm)

x101 - 2700K CRI90 - 13W (574 - 817 lm)

x102 - 3000K CRI90 - 13W (631 - 899 lm)

x103 - 3500K CRI80 - 13W (855 - 1217 lm)

x104 - 3500K CRI90 - 13W (611 - 869 lm)

x121 - 4000K CRI90 - 13W (681 - 969 lm)

x122 - 2700K CRI80 - 21W (1208 - 1416 lm)

x123 - 3000K CRI80 - 21W (1341 - 1571 lm)

x124 - 3500K CRI80 - 21W (1136 - 1331 lm)

x125 - 4000K CRI80 - 21W (1394 - 1634 lm)

x126 - 2700K CRI90 - 21W (818 - 959 lm)

x127 - 3000K CRI90 - 21W (1007 - 1180 lm)

x128 - 3500K CRI90 - 21W (723 - 847 lm)

x129 - 4000K CRI90 - 21W (1089 - 1277 lm)

08 OPTIC

SP - Spot (17°)

FL - Flood (45°)

WFL - Wide Flood (53°)

09 CONTROL

ELV - ELV Dimming (For use with Electronic Low Voltage Dimmer. 120V only.)

INC - INC Dimming (For use with Incandescent Dimmer. 120V only.)

010 - 0-10V (120V,277V)

10A LENS

09 - Clear (Standard)

12 - Soft Focus

13 - Rectilinear

10B SHIELDING

00 - Not included (Standard)

11 - Honeycomb Baffle

11 WIRING LENGTH

WL00 - Standard

WL05 - 5 Ft Leads

WL25 - 25 Ft Leads

12 FINISH

Standard Finishes

BLP, BZP, WHP, SAP, BLW, BZW, WHW, VER

Premium Finishes

CMG, SMG, RMG, AMG, TXF, BCM, BGE, WCP, OCP, HUG, ABP, BPP, SDS,

WIR, CAP, CRM, AQW, NBP

Other - RAL

RAL

Other - Custom Color

CUS

NOTE: Not all configurations may be compatible with one another. Please configure the product for specific 2D, Photometry, Downloads, Spec Sheet and Compatible mountings and power supplies.

DENALI - Wall Mount - Line Voltage - LED COB - Style C - 2 Fixtures

Features



Anti-condensation vent allows moisture to exit the fixture but never enter in



Lens factory adhered to fixture cap providing hermetically sealed optical compartment



Manufactured in the USA with sustainable processes



Aim & Lock knuckle eliminates need for re-aiming & adjustments



Water-tight anti-siphon plug prevents moisture ingress from wireways



Secured with tamper-resistant, stainless steel hardware



Easily replaceable modular components reduce waste and extend fixture life



Slip fit cap & high temp. silicone 'O' ring provides reliable water-tight seal



Solid billet fixture body provides unmatched durability and heat management



360HD knuckle provides 360° horizontal rotation and vertical adjustment

Technical

Driver: Line Voltage

Light Source (Type): LED COB

Material: Aluminum

CCT (K): 2700, 3500, 3000, 4000

CRI: 80, 90

Input Power (W): 13, 21

Delivered Lumens (lm): 574 - 1634

Beam Angle (°): 17, 45, 53

Control: 0-10V (120V, 277V), ELV Dimming (For use with Electronic Low Voltage Dimmer. 120V only.), INC Dimming (For use with Incandescent Dimmer. 120V only.)

Mount: Canopy BC14

Style: Cap A - 45° (With Weephole), Cap B - 90° (With Weephole), Cap C - Flush Lens, Cap D - 45°, Cap E - 90°

Version: Style C - 2 Fixtures

Input Voltage: 120V, 277V

Size: Stem length: 24", Stem length: 30", Stem length: 36", Stem length: 42", Stem length: 48"

Lens: Soft Focus, Clear (Standard), Rectilinear

Shielding: Not included (Standard), Honeycomb Baffle

Wiring Length: Standard, 5 Ft Leads, 25 Ft Leads

Finish: Standard Finishes, Premium Finishes, Other - RAL, Other - Custom Color

Body: Unibody design with enclosed, water-proof wireway, integral heat sink, fully machined from solid billet, anti-condensation and corrosion vent equalizes fixture pressure and eliminates potential for damage to internal components.

Material Detail: Furnished in copper-free aluminum (6061-T6).

Aiming: 360HD Mounting System can adjust 180° vertically and rotate 360° horizontally. 'O' Ring helps maintain fixture position. Design withstands 73 lb. static load prior to movement for optical alignment with a 1/2" pipe thread for mounting.

Light Source Detail: COB (Chip on Board) technology and modular design with electrical quick disconnects.

Optics: Interchangeable optics permit changes in the field.

Hardware: Tamper-resistant, stainless steel hardware. Hardware is black oxide treated for additional corrosion resistance.

Sealing: 'O' Ring provides water-tight seal., Anti-condensation and corrosion vent equalizes fixture pressure and eliminates potential for damage to internal components.

Finish Detail: StarGuard, our 15-stage chromate-free process, cleans and conversion coats aluminum components prior to application of Class 'A' TGIC polyester powder coating. It is RoHS compliant.

Warranty: 5-year limited warranty.

DENALI - Wall Mount - Line Voltage - LED COB - Style C - 2 Fixtures

Finishes

STANDARD FINISHES



[BLP]
Satin Black



[BZP]
Satin Bronze



[WHP]
Satin White



[SAP]
Satin Aluminum



[BLW]
Black Wrinkle



[BZW]
Bronze Wrinkle



[WHW]
White Wrinkle



[VER]
Verde

PREMIUM FINISHES



[CMG]
Cascade Mountain Granite



[SMG]
Sierra Mountain Granite



[RMG]
Rocky Mountain Granite



[AMG]
Aleutian Mountain Granite



[TXF]
Textured Forest



[BCM]
Black Chrome



[BGE]
Beige



[WCP]
Weathered Copper



[OCP]
Old Copper



[HUG]
Hunter Green



[ABP]
Antique Brass Powder



[BPP]
Brown Patina Powder



[SDS]
Sonoran Desert Sandstone



[WIR]
Weathered Iron



[CAP]
Clear Anodized Powder



[CRM]
Cream



[AQW]
Antique White



[NBP]
Natural Brass Powder

OTHER - RAL



[RAL]
RAL Color

OTHER - CUSTOM COLOR



[CUS]
Custom Color

DENALI - Wall Mount - Line Voltage - LED COB - Style C - 2 Fixtures

Light Source

Light Source	Optic	Beam Angle	CCT (K)	CRI	R9	Input Power (W)	Delivered Lumens (Lm)	CBCP
x98	SP - Spot	17	2700	80	>15	13	829	6480
x98	FL - Flood	45	2700	80	>15	13	1041	1773
x98	WFL - Wide Flood	53	2700	80	>15	13	1180	1478
x99	SP - Spot	17	3000	80	>15	13	869	6796
x99	FL - Flood	45	3000	80	>15	13	1091	1860
x99	WFL - Wide Flood	53	3000	80	>15	13	1237	1550
x100	SP - Spot	17	4000	80	>15	13	903	7059
x100	FL - Flood	45	4000	80	>15	13	1134	1931
x100	WFL - Wide Flood	53	4000	80	>15	13	1285	1610
x101	SP - Spot	17	2700	90	>50	13	574	4486
x101	FL - Flood	45	2700	90	>50	13	720	1228
x101	WFL - Wide Flood	53	2700	90	>50	13	817	1023
x102	SP - Spot	17	3000	90	>50	13	631	4936
x102	FL - Flood	45	3000	90	>50	13	793	1350
x102	WFL - Wide Flood	53	3000	90	>50	13	899	1126
x103	SP - Spot	17	3500	80	>15	13	855	6685
x103	FL - Flood	45	3500	80	>15	13	1074	1829
x103	WFL - Wide Flood	53	3500	80	>15	13	1217	1525
x104	SP - Spot	17	3500	90	>50	13	611	4775
x104	FL - Flood	45	3500	90	>50	13	767	1307
x104	WFL - Wide Flood	53	3500	90	>50	13	869	1089
x121	SP - Spot	17	4000	90	>50	13	681	5324
x121	FL - Flood	45	4000	90	>50	13	855	1457
x121	WFL - Wide Flood	53	4000	90	>50	13	969	1214
x122	SP - Spot	17	2700	80	>15	21	1208	9040
x122	FL - Flood	45	2700	80	>15	21	1359	2437
x122	WFL - Wide Flood	53	2700	80	>15	21	1416	1876
x123	SP - Spot	17	3000	80	>15	21	1341	10030
x123	FL - Flood	45	3000	80	>15	21	1508	2704
x123	WFL - Wide Flood	53	3000	80	>15	21	1571	2082
x124	SP - Spot	17	3500	80	>15	21	1136	8496
x124	FL - Flood	45	3500	80	>15	21	1277	2290
x124	WFL - Wide Flood	53	3500	80	>15	21	1331	1763
x125	SP - Spot	17	4000	80	>15	21	1394	10431
x125	FL - Flood	45	4000	80	>15	21	1568	2812
x125	WFL - Wide Flood	53	4000	80	>15	21	1634	2165
x126	SP - Spot	17	2700	90	>50	21	818	6120
x126	FL - Flood	45	2700	90	>50	21	920	1650
x126	WFL - Wide Flood	53	2700	90	>50	21	959	1270
x127	SP - Spot	17	3000	90	>50	21	1007	7535
x127	FL - Flood	45	3000	90	>50	21	1133	2031
x127	WFL - Wide Flood	53	3000	90	>50	21	1180	1564
x128	SP - Spot	17	3500	90	>50	21	723	5406
x128	FL - Flood	45	3500	90	>50	21	813	1457
x128	WFL - Wide Flood	53	3500	90	>50	21	847	1225
x129	SP - Spot	17	4000	90	>50	21	1089	8148
x129	FL - Flood	45	4000	90	>50	21	1225	2196
x129	WFL - Wide Flood	53	4000	90	>50	21	1277	1691