

DENALI - Wall Mount - Line Voltage - Lamp PAR20 - Dual - Downlight and Uplight

UPGRADED



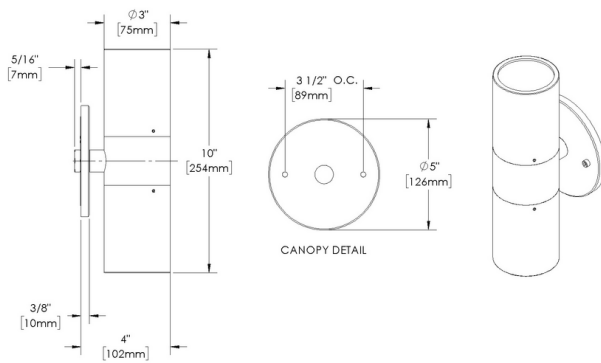
IP66



Downloads

- Product Images (.zip)
- Technical Drawing (.zip)
- 2D (.dwg)
- 2D (.dxf)
- IES Files (.zip)
- BIM - Revit (.zip)
- Installation Instructions (.pdf)

Product Variant Examples



DENALI - Wall Mount - Line Voltage - Lamp PAR20 - Dual - Downlight and Uplight

Available Logic & Configurations

DE- 01 **WM-** 02 **LID-** 03 **LAP20-** 04 **AL-** 05 **BC-** 06B **CC-** 06C **DD-** 06D

01 SERIES

DE - DENALI

02 CATEGORY

WM - Wall Mount

03 DRIVER

LID - Line Voltage

04 LIGHT SOURCE (TYPE)

LAP20 - Lamp PAR20

- - - - - -
 07 07 10A 10A 10B 10B
 (Up) (Down) (Up) (Down) (Up) (Down)

07 LIGHT SOURCE (Up / Down)

- 00 - Not included
- 510 - 2700K CRI80 - 6.5W - 15°
- 511 - 2700K CRI80 - 6.5W - 25°
- 512 - 2700K CRI80 - 6.5W - 40°
- 513 - 3000K CRI80 - 6.5W - 15°
- 514 - 3000K CRI80 - 6.5W - 25°
- 515 - 3000K CRI80 - 6.5W - 40°
- 516 - 4000K CRI80 - 6.5W - 40°

05 MATERIAL

AL - Aluminum

06B MOUNT

BC - Canopy

06C STYLE

CC - Cap C - Flush Lens

06D VERSION

DD - Dual - Downlight and Uplight

WL00- -
11 12

10A LENS (Up / Down)

- 09 - Clear (Standard)
- 12 - Soft Focus
- 13 - Rectilinear

10B SHIELDING (Up / Down)

- 00 - Not included (Standard)
- 11 - Honeycomb Baffle

11 WIRING LENGTH

WL00 - Standard

12 FINISH

- Standard Finishes
- BLP, BZP, WHP, SAP, BLW, BZW, WHW, VER**
- Premium Finishes
- CMG, SMG, RMG, AMG, TXF, BCM, BGE, WCP, OCP, HUG, ABP, BPP, SDS,**
- WIR, CAP, CRM, AQW, NBP**
- Other - RAL
- RAL**
- Other - Custom Color
- CUS**

NOTE: Not all configurations may be compatible with one another. Please configure the product for specific 2D, Photometry, Downloads, Spec Sheet and Compatible mountings and power supplies.

DENALI - Wall Mount - Line Voltage - Lamp PAR20 - Dual - Downlight and Uplight

Features



Anti-condensation vent allows moisture to exit the fixture but never enter in



Lens factory adhered to fixture cap providing hermetically sealed optical compartment



Manufactured in the USA with sustainable processes



Water-tight anti-siphon plug prevents moisture ingress from wireways



Secured with tamper-resistant, stainless steel hardware



Easily replaceable modular components reduce waste and extend fixture life



Slip fit cap & high temp. silicone 'O' ring provides reliable water-tight seal



Solid billet fixture body provides unmatched durability and heat management

Technical

Driver: Line Voltage

Light Source (Type): Lamp PAR20

Material: Aluminum

CCT (K): 2700, 3000, 4000

CRI: 95

Delivered Lumens (lm): 526 - 599

Beam Angle (°): 15, 25, 40

Mount: Canopy

Style: Cap C - Flush Lens

Version: Dual - Downlight and Uplight

Lens: Soft Focus, Clear (Standard), Rectilinear

Shielding: Not included (Standard), Honeycomb Baffle

Wiring Length: Standard

Finish: Standard Finishes, Premium Finishes, Other - RAL, Other - Custom Color

Body: Cast canopy., Unibody design, fully machined from solid billet.

Material Detail: Furnished in copper-free aluminum (6061-T6).

Light Source Detail: 6.5W PAR20 Green Creative LED lamp, Title 20 compliant. Halogen sourced by others. For use with 120V. No transformer required.

Hardware: Tamper-resistant, stainless steel hardware.

Sealing: 'O' Ring provides water-tight seal., Anti-condensation and corrosion vent equalizes fixture pressure and eliminates potential for damage to internal components.

Finish Detail: StarGuard, our 15-stage chromate-free process, cleans and conversion coats aluminum components prior to application of Class 'A' TGIC polyester powder coating. It is RoHS compliant.

Warranty: 5-year limited warranty.

DENALI - Wall Mount - Line Voltage - Lamp PAR20 - Dual - Downlight and Uplight

Finishes

STANDARD FINISHES



[BLP]
Satin Black



[BZP]
Satin Bronze



[WHP]
Satin White



[SAP]
Satin Aluminum



[BLW]
Black Wrinkle



[BZW]
Bronze Wrinkle



[WHW]
White Wrinkle



[VER]
Verde

PREMIUM FINISHES



[CMG]
Cascade Mountain Granite



[SMG]
Sierra Mountain Granite



[RMG]
Rocky Mountain Granite



[AMG]
Aleutian Mountain Granite



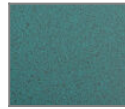
[TXF]
Textured Forest



[BCM]
Black Chrome



[BGE]
Beige



[WCP]
Weathered Copper



[OCP]
Old Copper



[HUG]
Hunter Green



[ABP]
Antique Brass Powder



[BPP]
Brown Patina Powder



[SDS]
Sonoran Desert Sandstone



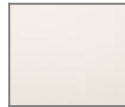
[WIR]
Weathered Iron



[CAP]
Clear Anodized Powder



[CRM]
Cream



[AQW]
Antique White



[NBP]
Natural Brass Powder

OTHER - RAL



[RAL]
RAL Color

OTHER - CUSTOM COLOR



[CUS]
Custom Color

DENALI - Wall Mount - Line Voltage - Lamp PAR20 - Dual - Downlight and Uplight

Light Source

Light Source	Optic	Beam Angle	CCT (K)	CRI	R9	Input Power (W)	Delivered Lumens (Lm)	CBCP
510	SP - Spot	15	2700	95	>50	6.5	526	5000
511	NFL - Narrow Flood	25	2700	95	>50	6.5	532	1800
512	FL - Flood	40	2700	95	>50	6.5	546	1100
513	SP - Spot	15	3000	95	>50	6.5	550	5300
514	NFL - Narrow Flood	25	3000	95	>50	6.5	576	1900
515	FL - Flood	40	3000	95	>50	6.5	580	1200
516	FL - Flood	40	4000	95	>50	6.5	599	1300