

DENALI - Wall Mount - Line Voltage - LED COB - Single - Downlight or Uplight - Universal Power Module PM2

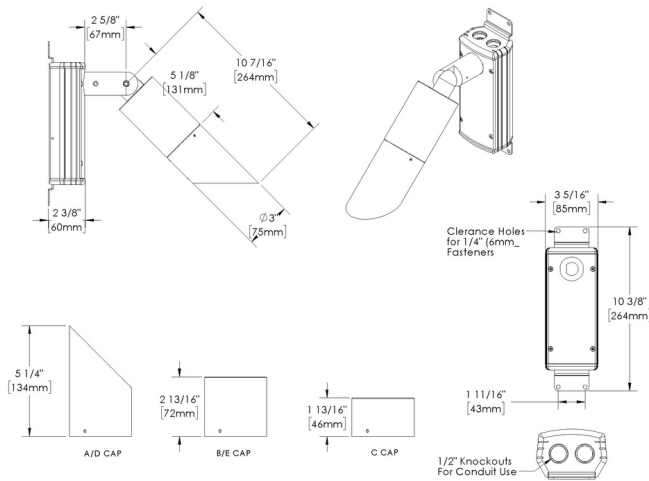
UPGRADED



Downloads

- Product Images (.zip)
- Technical Drawing (.zip)
- 2D (.dwg)
- 2D (.dxf)
- IES Files (.zip)
- Installation Instructions (.pdf)

Product Variant Examples



DENALI - Wall Mount - Line Voltage - LED COB - Single - Downlight or Uplight - Universal Power Module PM2

Available Logic & Configurations

DE- **WM-** **LID-** **LCB-** **AL-** **PM2-** **-** **DS-**
 01 02 03 04 05 06B 06C 06D

- 01 SERIES**
DE - DENALI
- 02 CATEGORY**
WM - Wall Mount
- 03 DRIVER**
LID - Line Voltage
- 04 LIGHT SOURCE (TYPE)**
LCB - LED COB

- 05 MATERIAL**
AL - Aluminum
- 06B MOUNT**
PM2 - Universal Power Module PM2
- 06C STYLE**
CA - Cap A - 45° (With Weephole)
CB - Cap B - 90° (With Weephole)
CC - Cap C - Flush Lens
CD - Cap D - 45°
CE - Cap E - 90°
- 06D VERSION**
DS - Single - Downlight or Uplight

- **-** **INC-** **-** **-** **WL00-** **-** **-**
 07 08 09 10A 10B 11 12 13

- 07 LIGHT SOURCE**
x58 - 2700K CRI80 - 12W (623 - 721 lm)
x59 - 3000K CRI80 - 12W (653 - 756 lm)
x60 - 4000K CRI80 - 12W (736 - 851 lm)
x61 - 2700K CRI80 - 20W (1064 - 1307 lm)
x62 - 3000K CRI80 - 20W (1120 - 1376 lm)
x63 - 4000K CRI80 - 20W (1168 - 1435 lm)
x64 - 2700K CRI80 - 27W (1383 - 1767 lm)
x65 - 3000K CRI80 - 27W (1426 - 1820 lm)
x66 - 4000K CRI80 - 27W (1506 - 1923 lm)

- 08 OPTIC**
SP - Spot (15°)
MFL - Medium Flood (35°)
WFL - Wide Flood (60°)

- 09 CONTROL**
INC - INC Dimming (For use with Incandescent Dimmer. 120V only.)
- 10A LENS**
09 - Clear (Standard)
12 - Soft Focus
13 - Rectilinear
- 10B SHIELDING**
00 - Not included (Standard)
11 - Honeycomb Baffle
- 11 WIRING LENGTH**
WL00 - Standard
- 12 FINISH**
Standard Finishes
BLP, BZP, WHP, SAP, BLW, BZW, WHW, VER
Premium Finishes
CMG, SMG, RMG, AMG, TXF, BCM, BGE, WCP, OCP, HUG, ABP, BPP, SDS,
WIR, CAP, CRM, AQW, NBP
Other - RAL
RAL
Other - Custom Color
CUS
- 13 OPTION**
CR - Camlock Mount - Round
CR-MB - Camlock Mount - Round - With Mounting Bracket
CT - Camlock Mount - Rectangular
CT-MB - Camlock Mount - Rectangular - With Mounting Bracket
SM - Surface Mount

NOTE: Not all configurations may be compatible with one another. Please configure the product for specific 2D, Photometry, Downloads, Spec Sheet and Compatible mountings and power supplies.

DENALI - Wall Mount - Line Voltage - LED COB - Single - Downlight or Uplight - Universal Power Module PM2

Features



Anti-condensation vent allows moisture to exit the fixture but never enter in



Lens factory adhered to fixture cap providing hermetically sealed optical compartment



Manufactured in the USA with sustainable processes



Water-tight anti-siphon plug prevents moisture ingress from wireways



Secured with tamper-resistant, stainless steel hardware



Easily replaceable modular components reduce waste and extend fixture life



Slip fit cap & high temp. silicone 'O' ring provides reliable water-tight seal



Solid billet fixture body provides unmatched durability and heat management

Technical

Driver: Line Voltage

Light Source (Type): LED COB

Material: Aluminum

CCT (K): 2700, 3000, 4000

CRI: 80

Input Power (W): 12, 20, 27

Delivered Lumens (lm): 623 - 1923

Beam Angle (°): 15, 35, 60

Control: INC Dimming (For use with Incandescent Dimmer. 120V only.)

Mount: Universal Power Module PM2

Style: Cap A - 45° (With Weephole), Cap B - 90° (With Weephole), Cap C - Flush Lens, Cap D - 45°, Cap E - 90°

Version: Single - Downlight or Uplight

Lens: Soft Focus, Clear (Standard), Rectilinear

Shielding: Not included (Standard), Honeycomb Baffle

Wiring Length: Standard

Finish: Standard Finishes, Premium Finishes, Other - RAL, Other - Custom Color

Option: Camlock Mount - Round, Camlock Mount - Round - With Mounting Bracket, Camlock Mount - Rectangular, Camlock Mount - Rectangular - With Mounting Bracket, Surface Mount

Body: Unibody design with enclosed, water-proof wireway, integral heat sink, fully machined from solid billet, anti-condensation and corrosion vent equalizes fixture pressure and eliminates potential for damage to internal components.

Material Detail: Furnished in copper-free aluminum (6061-T6).

Light Source Detail: COB (Chip on Board) technology and modular design with electrical quick disconnects.

Optics: Interchangeable optics permit changes in the field.

Hardware: Tamper-resistant, stainless steel hardware. Hardware is black oxide treated for additional corrosion resistance.

Sealing: 'O' Ring provides water-tight seal., Anti-condensation and corrosion vent equalizes fixture pressure and eliminates potential for damage to internal components.

Finish Detail: StarGuard, our 15-stage chromate-free process, cleans and conversion coats aluminum components prior to application of Class 'A' TGIC polyester powder coating. It is RoHS compliant.

Warranty: 5-year limited warranty.

DENALI - Wall Mount - Line Voltage - LED COB - Single - Downlight or Uplight - Universal Power Module PM2

Finishes

STANDARD FINISHES



PREMIUM FINISHES



OTHER - RAL



OTHER - CUSTOM COLOR



DENALI - Wall Mount - Line Voltage - LED COB - Single - Downlight or Uplight - Universal Power Module PM2

Light Source

Light Source	Optic	Beam Angle	CCT (K)	CRI	R9	Input Power (W)	Delivered Lumens (Lm)	CBCP
x58	SP - Spot	15	2700	80	>15	12	721	3865
x58	MFL - Medium Flood	35	2700	80	>15	12	661	1493
x58	WFL - Wide Flood	60	2700	80	>15	12	623	627
x59	SP - Spot	15	3000	80	>15	12	756	4048
x59	MFL - Medium Flood	35	3000	80	>15	12	692	1564
x59	WFL - Wide Flood	60	3000	80	>15	12	653	657
x60	SP - Spot	15	4000	80	>15	12	851	4561
x60	MFL - Medium Flood	35	4000	80	>15	12	780	1762
x60	WFL - Wide Flood	60	4000	80	>15	12	736	740
x61	SP - Spot	15	2700	80	>15	20	1307	7103
x61	MFL - Medium Flood	35	2700	80	>15	20	1125	2623
x61	WFL - Wide Flood	60	2700	80	>15	20	1064	1049
x62	SP - Spot	15	3000	80	>15	20	1376	7478
x62	MFL - Medium Flood	35	3000	80	>15	20	1184	2761
x62	WFL - Wide Flood	60	3000	80	>15	20	1120	1104
x63	SP - Spot	15	4000	80	>15	20	1435	7800
x63	MFL - Medium Flood	35	4000	80	>15	20	1235	2880
x63	WFL - Wide Flood	60	4000	80	>15	20	1168	1152
x64	SP - Spot	15	2700	80	>15	27	1767	15656
x64	MFL - Medium Flood	35	2700	80	>15	27	1586	4649
x64	WFL - Wide Flood	60	2700	80	>15	27	1383	1515
x65	SP - Spot	15	3000	80	>15	27	1820	16132
x65	MFL - Medium Flood	35	3000	80	>15	27	1634	4791
x65	WFL - Wide Flood	60	3000	80	>15	27	1426	1561
x66	SP - Spot	15	4000	80	>15	27	1923	17042
x66	MFL - Medium Flood	35	4000	80	>15	27	1726	5061
x66	WFL - Wide Flood	60	4000	80	>15	27	1506	1649