

# MICRO DRIVE STAR - In-grade - Low Voltage - LED High-Power - Faceplate Flush Mount - Micro



IP68

### Downloads

[Product Images \(.zip\)](#)

[Technical Drawing \(.zip\)](#)

[2D \(.dwg\)](#)

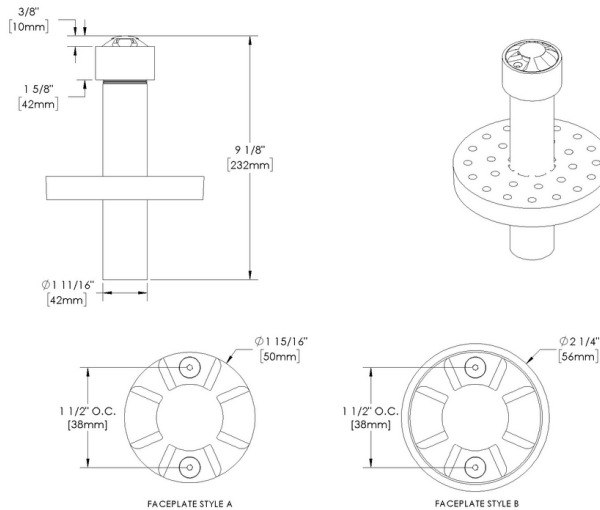
[2D \(.dxf\)](#)

[IES Files \(.zip\)](#)

[BIM - Revit \(.zip\)](#)

[Installation Instructions \(.pdf\)](#)

### Product Variant Examples



# MICRO DRIVE STAR - In-grade - Low Voltage - LED High-Power - Faceplate Flush Mount - Micro

## Available Logic & Configurations

<b>DR2-</b> 01	<b>IN-</b> 02	<b>LOD-</b> 03	<b>LHP-</b> 04	<b>-</b> 05	<b>FFM-</b> 06B	<b>-</b> 06C	<b>MIC-</b> 06D
<p><b>01 SERIES</b>  <b>DR2</b> - DRIVE STAR</p> <p><b>02 CATEGORY</b>  <b>IN</b> - In-grade</p> <p><b>03 DRIVER</b>  <b>LOD</b> - Low Voltage</p> <p><b>04 LIGHT SOURCE (TYPE)</b>  <b>LHP</b> - LED High-Power</p>				<p><b>05 MATERIAL</b>  <b>AL</b> - Aluminum  <b>BR</b> - Brass  <b>SS</b> - Stainless Steel</p> <p><b>06B MOUNT</b>  <b>FFM</b> - Faceplate Flush Mount</p> <p><b>06C STYLE</b>  <b>SA-010</b> - Style A - Single Optical Opening  <b>SA-020</b> - Style A - 2 Optical Openings  <b>SA-040</b> - Style A - 4 Optical Openings  <b>SB-010</b> - Style B - Single Optical Opening  <b>SB-020</b> - Style B - 2 Optical Openings  <b>SB-040</b> - Style B - 4 Optical Openings</p> <p><b>06D VERSION</b>  <b>MIC</b> - Micro</p>			
<p><b>-</b> 07</p> <p><b>-</b> 11</p> <p><b>-</b> 12</p>				<p><b>11 WIRING LENGTH</b>  <b>WL00</b> - Standard  <b>WL25</b> - 25 Ft Leads</p> <p><b>12 FINISH</b>  Standard Finishes  <b>BLP, BZP, WHP, SAP, BLW, BZW, WHW, VER</b>  Premium Finishes  <b>CMG, SMG, RMG, AMG, TXF, BCM, BGE, WCP, OCP, HUG, ABP, BPP, SDS, WIR, CAP, CRM, AQW, NBP</b>  Other - RAL  <b>RAL</b>  Other - Custom Color  <b>CUS</b>  Brass Finishes  <b>MAB, POB, MIT</b>  Stainless Steel Finishes  <b>MAS, POS</b></p>			
<p><b>07 LIGHT SOURCE</b>  <b>e70</b> - 2700K CRI80 - 3W  <b>e71</b> - 3000K CRI80 - 3W  <b>e72</b> - 4000K CRI80 - 3W  <b>e73</b> - Amber - 3W  <b>e85</b> - 2700K CRI90 - 3W  <b>e86</b> - 3000K CRI90 - 3W  <b>e87</b> - 3500K CRI80 - 3W</p>							

**NOTE:** Not all configurations may be compatible with one another. Please configure the product for specific 2D, Photometry, Downloads, Spec Sheet and Compatible mountings and power supplies.

# MICRO DRIVE STAR - In-grade - Low Voltage - LED High-Power - Faceplate Flush Mount - Micro

## Features



Anti-condensation vent allows moisture to exit the fixture but never enter in



Lens factory adhered to fixture cap providing hermetically sealed optical compartment



Secured with flush, countersunk tamper resistant hardware



Machined solid billet faceplate provides unmatched strength and durability



Heavy wall corrosion-free composite housing for direct burial in soil or concrete



Designed and engineered for easy install



Manufactured in the USA with sustainable processes



Water-tight anti-siphon plug prevents moisture ingress from wireways



Easily replaceable modular components reduce waste and extend fixture life

**WARNING: This is a low voltage product. Please check "Mountings With A Power Supply" or "Power Supplies" to order remote transformer separately.**

## Technical

**Driver:** Low Voltage

**Light Source (Type):** LED High-Power

**Material:** Aluminum, Brass, Stainless Steel

**CCT (K):** Amber, 2700, 3500, 3000, 4000

**CRI:** 80, 90

**Input Power (W):** 3

**Delivered Lumens (lm):** Array

**Mount:** Faceplate Flush Mount

**Style:** Style A - Single Optical Opening, Style A - 2 Optical Openings, Style A - 4 Optical Openings, Style B - Single Optical Opening, Style B - 2 Optical Openings, Style B - 4 Optical Openings

**Version:** Micro

**Wiring Length:** Standard, 25 Ft Leads

**Finish:** Standard Finishes, Premium Finishes, Other - RAL, Other - Custom Color, Brass Finishes, Stainless Steel Finishes

**Body:** Unibody design with enclosed, water-proof wireway, integral heat sink, fully machined from solid billet, anti-condensation and corrosion vent equalizes fixture pressure and eliminates potential for damage to internal components.

**Material Detail:** Furnished in stainless steel (304), Furnished in brass (360), Furnished in copper-free aluminum (6061-T6).

**Light Source Detail:** High power LEDs modular design with electrical disconnects, Non-dimming.

**Hardware:** Tamper-resistant, stainless steel hardware. Hardware is black oxide treated for additional corrosion resistance.

**Sealing:** 'O' Ring provides water-tight seal.

**Finish Detail:** Powder coat or metal finish options available for brass material., Metal finish option only for stainless steel material., StarGuard, our 15-stage chromate-free process, cleans and conversion coats aluminum components prior to application of Class 'A' TGIC polyester powder coating. It is RoHS compliant.

**Warranty:** 5-year limited warranty.

# MICRO DRIVE STAR - In-grade - Low Voltage - LED High-Power - Faceplate Flush Mount - Micro

## Finishes

### STANDARD FINISHES



### PREMIUM FINISHES



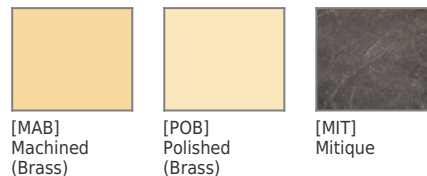
### OTHER - RAL



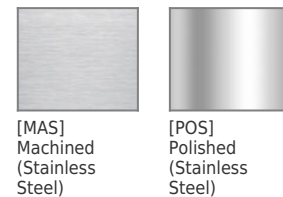
### OTHER - CUSTOM COLOR



### BRASS FINISHES



### STAINLESS STEEL FINISHES



# MICRO DRIVE STAR - In-grade - Low Voltage - LED High-Power - Faceplate Flush Mount - Micro

## Light Source

Light Source	Optic	Beam Angle	CCT (K)	CRI	R9	Input Power (W)	Delivered Lumens (Lm)	CBCP
e70	-		2700	80	>15	3		
e71	-		3000	80	>15	3		
e72	-		4000	80	>15	3		
e73	-		Amber			3		
e85	-		2700	90	>50	3		
e86	-		3000	90	>50	3		
e87	-		3500	80	>15	3		