

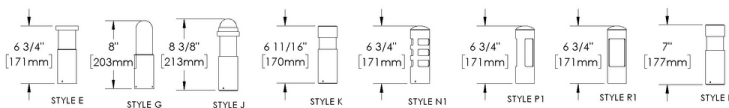
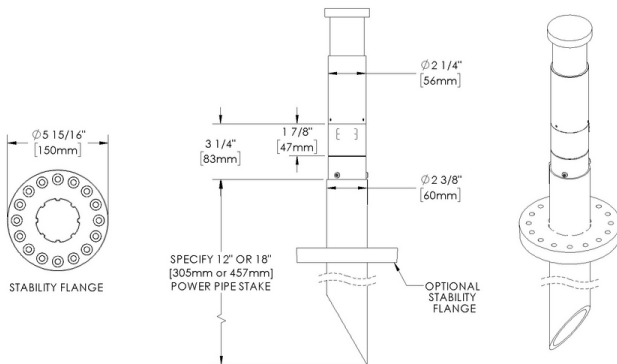
GLOW STAR - Bollard - Low Voltage - Lamp MR16 Gu5.3 - Aluminum - Height: 2" - 24" - Pipe PI1 - 18" Stake



Downloads

- Product Images (.zip)
- Technical Drawing (.zip)
- 2D (.dwg)
- 2D (.dxf)
- BIM - Revit (.zip)
- Installation Instructions (.pdf)

Product Variant Examples



GLOW STAR - Bollard - Low Voltage - Lamp MR16 Gu5.3 - Aluminum - Height: 2" - 24" - Pipe PI1 - 18" Stake

Available Logic & Configurations

GL- 01	BO- 02	LOD- 03	LAM16- 04	AL- 05	PI1-S18- 06B	- 06C	- 06F
01 SERIES GL - GLOW STAR 02 CATEGORY BO - Bollard 03 DRIVER LOD - Low Voltage 04 LIGHT SOURCE (TYPE) LAM16 - Lamp MR16 Gu5.3				05 MATERIAL AL - Aluminum 06B MOUNT PI1-S18 - Pipe PI1 - 18" Stake 06C STYLE SE - Style E SJ - Style J SK - Style K SN1 - Style N1 SP1 - Style P1 SR1 - Style R1 06F SIZE H02 - Height: 02" H06 - Height: 06" H12 - Height: 12" H18 - Height: 18" H24 - Height: 24"			
- 07	WL00- 11	- 12					
07 LIGHT SOURCE 00 - Not included 359 - 2700K CRI90 - 7.5W - 10° 361 - 2700K CRI90 - 7.5W - 25° 362 - 2700K CRI90 - 7.5W - 36° 363 - 3000K CRI90 - 7.5W - 10° 365 - 3000K CRI90 - 7.5W - 25° 366 - 3000K CRI90 - 7.5W - 36°			11 WIRING LENGTH WL00 - Standard 12 FINISH Standard Finishes BLP, BZP, WHP, SAP, BLW, BZW, WHW, VER Premium Finishes CMG, SMG, RMG, AMG, TXF, BCM, BGE, WCP, OCP, HUG, ABP, BPP, SDS, WIR, CAP, CRM, AQW, NBP Other - RAL RAL Other - Custom Color CUS				

NOTE: Not all configurations may be compatible with one another. Please configure the product for specific 2D, Photometry, Downloads, Spec Sheet and Compatible mountings and power supplies.

GLOW STAR - Bollard - Low Voltage - Lamp MR16 Gu5.3 - Aluminum - Height: 2" - 24" - Pipe P11 - 18" Stake

Features



Anti-condensation vent allows moisture to exit the fixture but never enter in



Lens factory adhered to fixture cap providing hermetically sealed optical compartment



Manufactured in the USA with sustainable processes



Water-tight anti-siphon plug prevents moisture ingress from wireways



Secured with tamper-resistant, stainless steel hardware



Easily replaceable modular components reduce waste and extend fixture life



Slip fit cap & high temp. silicone 'O' ring provides reliable water-tight seal



Solid billet fixture body provides unmatched durability and heat management

WARNING: This is a low voltage product. Please check "Mountings With A Power Supply" or "Power Supplies" to order remote transformer separately.

Technical

Driver: Low Voltage

Light Source (Type): Lamp MR16 Gu5.3

Material: Aluminum

CCT (K): 2700, 3000

CRI: 90

Delivered Lumens (lm): Array

Beam Angle (°): 10, 25, 36

Mount: Pipe P11 - 18" Stake

Style: Style E, Style J, Style K, Style N1, Style P1, Style R1

Size: Height: 02", Height: 06", Height: 12", Height: 18", Height: 24"

Wiring Length: Standard

Finish: Standard Finishes, Premium Finishes, Other - RAL, Other - Custom Color

Body: Unibody design, with enclosed, water-proof wireway and integral heat sink, fully machined from solid billet.

Material Detail: Furnished in copper-free aluminum (6061-T6).

Light Source Detail: SORAA® LED lamp provided with fixture. Fixture does NOT include lamp if "00 - Not included" is selected for "07 - Light Source". Halogen lamp compatible. NOT for use with traditional Halogen IR technology lamps.

Hardware: Tamper-resistant, stainless steel hardware.

Sealing: 'O' Ring provides water-tight seal.

Note: Stability Flange included.

Finish Detail: StarGuard, our 15-stage chromate-free process, cleans and conversion coats aluminum components prior to application of Class 'A' TGIC polyester powder coating. It is RoHS compliant.

Warranty: 5-year limited warranty.

GLOW STAR - Bollard - Low Voltage - Lamp MR16 Gu5.3 - Aluminum - Height: 2" - 24" - Pipe PI1 - 18" Stake

Finishes

STANDARD FINISHES



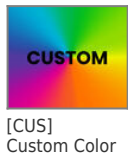
PREMIUM FINISHES



OTHER - RAL



OTHER - CUSTOM COLOR



GLOW STAR - Bollard - Low Voltage - Lamp MR16 Gu5.3 - Aluminum - Height: 2" - 24" - Pipe PI1 - 18" Stake

Light Source

Light Source	Optic	Beam Angle	CCT (K)	CRI	R9	Input Power (W)	Delivered Lumens (Lm)	CBCP
359	NSP - Narrow Spot	10	2700	90	>50	7.5		
361	NFL - Narrow Flood	25	2700	90	>50	7.5		
362	MFL - Medium Flood	36	2700	90	>50	7.5		
363	NSP - Narrow Spot	10	3000	90	>50	7.5		
365	NFL - Narrow Flood	25	3000	90	>50	7.5		
366	MFL - Medium Flood	36	3000	90	>50	7.5		