

# GLOW STAR - Bollard - Low Voltage - Lamp MR16 Gu5.3 - Brass - Style E - Height: 2" - 24" - Pipe P11 - 18" Stake

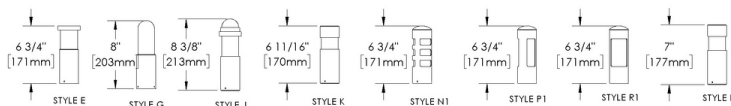
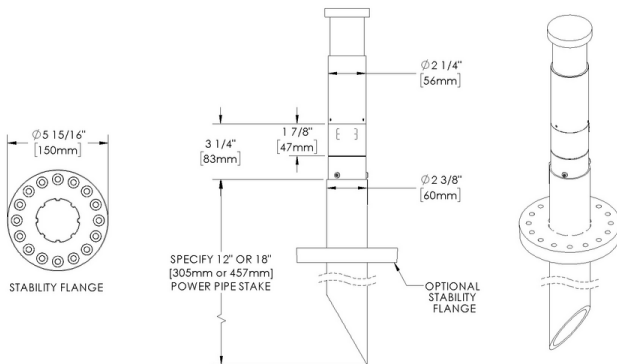


IP66

**Downloads**

- Product Images (.zip)
- Technical Drawing (.zip)
- 2D (.dwg)
- 2D (.dxf)
- BIM - Revit (.zip)
- Installation Instructions (.pdf)

**Product Variant Examples**



AMERICAN MADE + EMPLOYEE OWNED | 40429 Brickyard Drive, Madera, CA 93636 | +1 (559) 438-5800 | info@bklighting.com | bklighting.com

Copyright © B-K Lighting, Inc. This document contains proprietary information of B-K Lighting, inc. and its receipt or possession does not convey any rights to reproduce, disclose its contents, or to manufacture, use or sell anything it may describe.

Technical information is subject to change at the discretion of B-K Lighting Inc. For the most current technical data, please refer to bklighting.com

# GLOW STAR - Bollard - Low Voltage - Lamp MR16 Gu5.3 - Brass - Style E - Height: 2" - 24" - Pipe PI1 - 18" Stake

## Available Logic & Configurations

|   |                    |                   |                     |  |                        |                   |                 |
|---|--------------------|-------------------|---------------------|--|------------------------|-------------------|-----------------|
| <b>GL-</b><br>01  | <b>BO-</b><br>02   | <b>LOD-</b><br>03 | <b>LAM16-</b><br>04 | <b>BR-</b><br>05   | <b>PI1-S18-</b><br>06B | <b>SE-</b><br>06C | <b>-</b><br>06F |
| <b>01 SERIES</b><br>GL - GLOW STAR<br><b>02 CATEGORY</b><br>BO - Bollard<br><b>03 DRIVER</b><br>LOD - Low Voltage<br><b>04 LIGHT SOURCE (TYPE)</b><br>LAM16 - Lamp MR16 Gu5.3   |                    |                   |                     | <b>05 MATERIAL</b><br>BR - Brass<br><b>06B MOUNT</b><br>PI1-S18 - Pipe PI1 - 18" Stake<br><b>06C STYLE</b><br>SE - Style E<br><b>06F SIZE</b><br>H02 - Height: 02"<br>H06 - Height: 06"<br>H12 - Height: 12"<br>H18 - Height: 18"<br>H24 - Height: 24"   |                        |                   |                 |
| <b>-</b><br>07  | <b>WL00-</b><br>11 | <b>-</b><br>12    |                     |  |                        |                   |                 |
| <b>07 LIGHT SOURCE</b><br>00 - Not included<br>359 - 2700K CRI90 - 7.5W - 10°<br>361 - 2700K CRI90 - 7.5W - 25°<br>362 - 2700K CRI90 - 7.5W - 36°<br>363 - 3000K CRI90 - 7.5W - 10°<br>365 - 3000K CRI90 - 7.5W - 25°<br>366 - 3000K CRI90 - 7.5W - 36° |                    |                   |                     | <b>11 WIRING LENGTH</b><br>WL00 - Standard<br><b>12 FINISH</b><br>Standard Finishes<br>BLP, BZP, WHP, SAP, BLW, BZW, WHW, VER<br>Premium Finishes<br>CMG, SMG, RMG, AMG, TXF, BCM, BGE, WCP, OCP, HUG, ABP, BPP, SDS,<br>WIR, CAP, CRM, AQW, NBP<br>Brass Finishes<br>MAB, POB, MIT<br>Other - RAL<br>RAL<br>Other - Custom Color<br>CUS |                        |                   |                 |

**NOTE:** Not all configurations may be compatible with one another. Please configure the product for specific 2D, Photometry, Downloads, Spec Sheet and Compatible mountings and power supplies.

# GLOW STAR - Bollard - Low Voltage - Lamp MR16 Gu5.3 - Brass - Style E - Height: 2" - 24" - Pipe P11 - 18" Stake

## Features



Anti-condensation vent allows moisture to exit the fixture but never enter in



Lens factory adhered to fixture cap providing hermetically sealed optical compartment



Manufactured in the USA with sustainable processes



Water-tight anti-siphon plug prevents moisture ingress from wireways



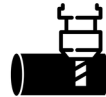
Secured with tamper-resistant, stainless steel hardware



Easily replaceable modular components reduce waste and extend fixture life



Slip fit cap & high temp. silicone 'O' ring provides reliable water-tight seal



Solid billet fixture body provides unmatched durability and heat management

**WARNING: This is a low voltage product. Please check "Mountings With A Power Supply" or "Power Supplies" to order remote transformer separately.**

## Technical

**Driver:** Low Voltage

**Light Source (Type):** Lamp MR16 Gu5.3

**Material:** Brass

**CCT (K):** 2700, 3000

**CRI:** 90

**Delivered Lumens (lm):** Array

**Beam Angle (°):** 10, 25, 36

**Mount:** Pipe P11 - 18" Stake

**Style:** Style E

**Size:** Height: 02", Height: 06", Height: 12", Height: 18", Height: 24"

**Wiring Length:** Standard

**Finish:** Standard Finishes, Premium Finishes, Brass Finishes, Other - RAL, Other - Custom Color

**Body:** Unibody design, with enclosed, water-proof wireway and integral heat sink, fully machined from solid billet.

**Material Detail:** Furnished in brass (360).

**Light Source Detail:** SORAA® LED lamp provided with fixture. Fixture does NOT include lamp if "00 - Not included" is selected for "07 - Light Source". Halogen lamp compatible. NOT for use with traditional Halogen IR technology lamps.

**Hardware:** Tamper-resistant, stainless steel hardware.

**Sealing:** 'O' Ring provides water-tight seal.

**Note:** Stability Flange included.

**Finish Detail:** Powder coat or metal finish options available for brass material.

**Warranty:** 5-year limited warranty.

# GLOW STAR - Bollard - Low Voltage - Lamp MR16 Gu5.3 - Brass - Style E - Height: 2" - 24" - Pipe PI1 - 18" Stake

## Finishes

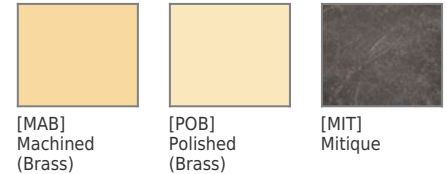
### STANDARD FINISHES



### PREMIUM FINISHES



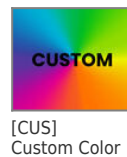
### BRASS FINISHES



### OTHER - RAL



### OTHER - CUSTOM COLOR



# GLOW STAR - Bollard - Low Voltage - Lamp MR16 Gu5.3 - Brass - Style E - Height: 2" - 24" - Pipe PI1 - 18" Stake

## Light Source

| Light Source | Optic              | Beam Angle | CCT (K) | CRI | R9  | Input Power (W) | Delivered Lumens (Lm) | CBCP |
|--------------|--------------------|------------|---------|-----|-----|-----------------|-----------------------|------|
| 359          | NSP - Narrow Spot  | 10         | 2700    | 90  | >50 | 7.5             |                       |      |
| 361          | NFL - Narrow Flood | 25         | 2700    | 90  | >50 | 7.5             |                       |      |
| 362          | MFL - Medium Flood | 36         | 2700    | 90  | >50 | 7.5             |                       |      |
| 363          | NSP - Narrow Spot  | 10         | 3000    | 90  | >50 | 7.5             |                       |      |
| 365          | NFL - Narrow Flood | 25         | 3000    | 90  | >50 | 7.5             |                       |      |
| 366          | MFL - Medium Flood | 36         | 3000    | 90  | >50 | 7.5             |                       |      |