

GLOW STAR - Bollard - Line Voltage Via Transformer - LED High-Power - Brass - Style E - Height: 6" - 24" - Anchor Base



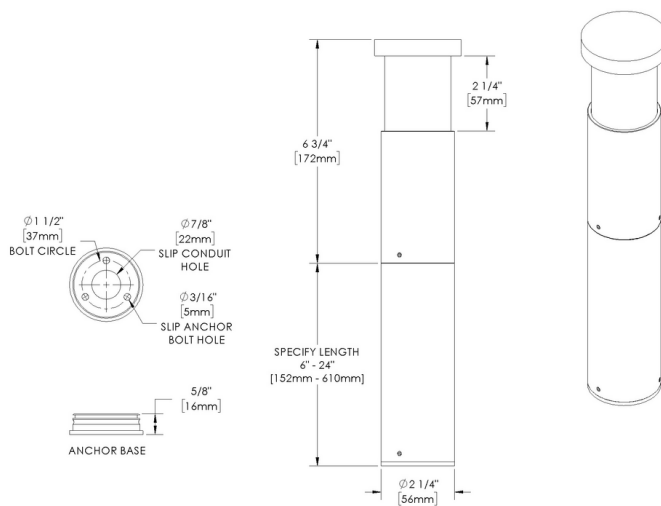
IP66



Downloads

- Product Images (.zip)
- Technical Drawing (.zip)
- 2D (.dwg)
- 2D (.dxf)
- IES Files (.zip)
- BIM - Revit (.zip)
- Installation Instructions (.pdf)

Product Variant Examples



GLOW STAR - Bollard - Line Voltage Via Transformer - LED High-Power - Brass - Style E - Height: 6" - 24" - Anchor Base

Available Logic & Configurations

GL- **BO-** **LIT-** **LHP-** **BR-** **AB-** **SE-** **___-**
01 02 03 04 05 06B 06C 06F

01 SERIES

GL - GLOW STAR

02 CATEGORY

BO - Bollard

03 DRIVER

LIT - Line Voltage Via Transformer

04 LIGHT SOURCE (TYPE)

LHP - LED High-Power

05 MATERIAL

BR - Brass

06B MOUNT

AB - Anchor Base

06C STYLE

SE - Style E

06F SIZE

H06 - Height: 06"

H12 - Height: 12"

H18 - Height: 18"

H24 - Height: 24"

___- **NON-** **WL00-** **___-**
07 09 11 12

07 LIGHT SOURCE

e64 - 2700K CRI80 - 7W

e65 - 3000K CRI80 - 7W

e66 - 4000K CRI80 - 7W (63 - 63 lm)

e74 - Amber - 7W

e79 - 2700K CRI90 - 7W

e80 - 3000K CRI90 - 7W

e81 - 3500K CRI80 - 7W

09 CONTROL

NON - Non-dimming

11 WIRING LENGTH

WL00 - Standard

12 FINISH

Standard Finishes

BLP, BZP, WHP, SAP, BLW, BZW, WHW, VER

Premium Finishes

CMG, SMG, RMG, AMG, TXF, BCM, BGE, WCP, OCP, HUG, ABP, BPP, SDS,

WIR, CAP, CRM, AQW, NBP

Brass Finishes

MAB, POB, MIT

Other - RAL

RAL

Other - Custom Color

CUS

NOTE: Not all configurations may be compatible with one another. Please configure the product for specific 2D, Photometry, Downloads, Spec Sheet and Compatible mountings and power supplies.

GLOW STAR - Bollard - Line Voltage Via Transformer - LED High-Power - Brass - Style E - Height: 6" - 24" - Anchor Base

Features



Anti-condensation vent allows moisture to exit the fixture but never enter in



Lens factory adhered to fixture cap providing hermetically sealed optical compartment



Manufactured in the USA with sustainable processes



Water-tight anti-siphon plug prevents moisture ingress from wireways



Secured with tamper-resistant, stainless steel hardware



Easily replaceable modular components reduce waste and extend fixture life



Slip fit cap & high temp. silicone 'O' ring provides reliable water-tight seal



Solid billet fixture body provides unmatched durability and heat management

Technical

Driver: Line Voltage Via Transformer

Light Source (Type): LED High-Power

Material: Brass

CCT (K): Amber, 2700, 3500, 3000, 4000

CRI: 80, 90

Input Power (W): 7

Delivered Lumens (lm): 63 - 63

Control: Non-dimming

Mount: Anchor Base

Style: Style E

Size: Height: 06", Height: 12", Height: 18", Height: 24"

Wiring Length: Standard

Finish: Standard Finishes, Premium Finishes, Brass Finishes, Other - RAL, Other - Custom Color

Body: Unibody design with enclosed, water-proof wireway, integral heat sink, fully machined from solid billet, anti-condensation and corrosion vent equalizes fixture pressure and eliminates potential for damage to internal components.

Material Detail: Furnished in brass (360).

Light Source Detail: High power LEDs modular design with electrical disconnects.

Hardware: Tamper-resistant, stainless steel hardware.

Sealing: 'O' Ring provides water-tight seal., Anti-condensation and corrosion vent equalizes fixture pressure and eliminates potential for damage to internal components.

Note: Transformer included., Adjust-e-Lume, an LED board feature, allows for dynamic lumen response at the individual fixture. Indexed (100% to 25% nom.) lumen output. Maintains output at desired level or may be changed (A9 to A1). Standard preset from the factory is A9 (100%).

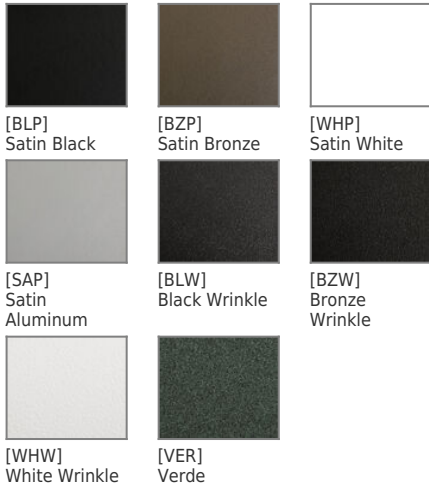
Finish Detail: Powder coat or metal finish options available for brass material.

Warranty: 5-year limited warranty.

GLOW STAR - Bollard - Line Voltage Via Transformer - LED High-Power - Brass - Style E - Height: 6" - 24" - Anchor Base

Finishes

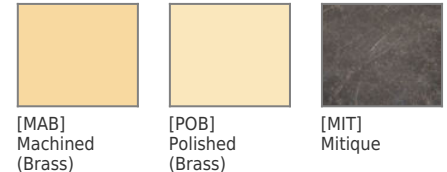
STANDARD FINISHES



PREMIUM FINISHES



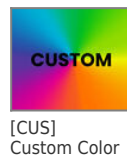
BRASS FINISHES



OTHER - RAL



OTHER - CUSTOM COLOR



GLOW STAR - Bollard - Line Voltage Via Transformer - LED High-Power - Brass - Style E - Height: 6" - 24" - Anchor Base

Light Source

Light Source	Optic	Beam Angle	CCT (K)	CRI	R9	Input Power (W)	Delivered Lumens (Lm)	CBCP
e64	-		2700	80	>15	7		
e65	-		3000	80	>15	7		
e66	-		4000	80	>15	7	63	
e74	-		Amber			7		
e79	-		2700	90	>50	7		
e80	-		3000	90	>50	7		
e81	-		3500	80	>15	7		