

HP2 - In-grade - Line Voltage - Lamp PAR20 - Deep Housing - Faceplate Flush Mount

UPGRADED

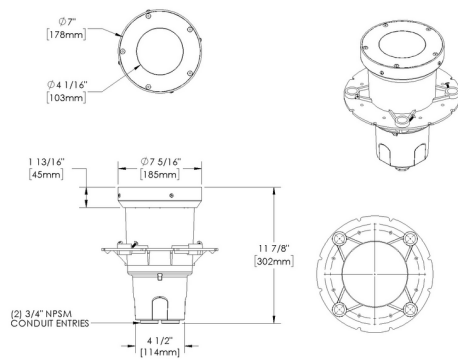
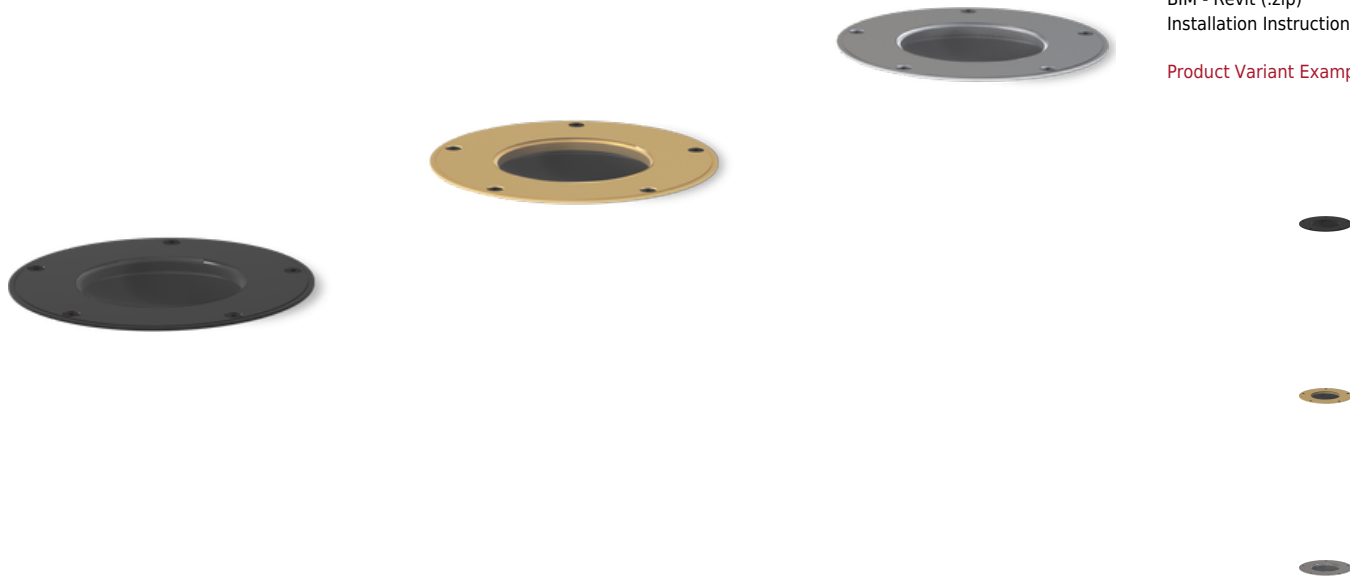


IP68

Downloads

- Product Images (.zip)
- Technical Drawing (.zip)
- BIM - Revit (.zip)
- Installation Instructions (.pdf)

Product Variant Examples



HP2 - In-grade - Line Voltage - Lamp PAR20 - Deep Housing - Faceplate Flush Mount

Available Logic & Configurations

HP2- 01	IN- 02	LID- 03	LAP20- 04	- 05	FFM- 06B	HDE- 06D	
01 SERIES HP2 - HP2 02 CATEGORY IN - In-grade 03 DRIVER LID - Line Voltage 04 LIGHT SOURCE (TYPE) LAP20 - Lamp PAR20			05 MATERIAL AL - Aluminum BR - Brass SS - Stainless Steel 06B MOUNT FFM - Faceplate Flush Mount 06D VERSION HDE - Deep Housing				
- 07	- 10A	- 10B	WL00- 11	- 12	- 13		
07 LIGHT SOURCE 00 - Not included 406 - 2850K CRI100 - 39W - 10° 407 - 2850K CRI100 - 39W - 30°			10A LENS 09 - Clear (Standard) 12 - Soft Focus 13 - Rectilinear 10B SHIELDING 00 - Not included (Standard) 11 - Honeycomb Baffle 11 WIRING LENGTH WL00 - Standard 12 FINISH Standard Finishes BLP, BZP, WHP, SAP, BLW, BZW, WHW, VER Premium Finishes CMG, SMG, RMG, AMG, TXF, BCM, BGE, WCP, OCP, HUG, ABP, BPP, SDS, WIR, CAP, CRM, AQW, NBP Other - RAL RAL Other - Custom Color CUS Brass Finishes MAB, POB, MIT Stainless Steel Finishes MAS, POS 13 OPTION HD - Half Dome - HP2 RO - Rock Guard with Optical Opening - HP2 GM-R - Round Grout Mask - HP2/DR2 GM-S - Square Grout Mask - HP2/DR2 TC - Traction Control Lens - HP2 AH - Accessory Holder - HP2 RG - Rock Guard - HP2 GS - Glare Shield - HP2				

NOTE: Not all configurations may be compatible with one another. Please configure the product for specific 2D, Photometry, Downloads, Spec Sheet and Compatible mountings and power supplies.

HP2 - In-grade - Line Voltage - Lamp PAR20 - Deep Housing - Faceplate Flush Mount

Features



Anti-condensation vent allows moisture to exit the fixture but never enter in



Internal optics with adjustable aim



Lens factory adhered to fixture cap providing hermetically sealed optical compartment



Secured with flush, countersunk tamper resistant hardware



Machined solid billet faceplate provides unmatched strength and durability



Heavy wall corrosion-free composite housing for direct burial in soil or concrete



Designed and engineered for easy install



Manufactured in the USA with sustainable processes



Water-tight anti-siphon plug prevents moisture ingress from wireways



Easily replaceable modular components reduce waste and extend fixture life

Technical

Driver: Line Voltage

Light Source (Type): Lamp PAR20

Material: Aluminum

CCT (K): 2850

CRI: 100

Delivered Lumens (lm): 475 - 475

Beam Angle (°): 10, 30

Mount: Faceplate Flush Mount

Version: Deep Housing

Lens: Soft Focus, Clear (Standard), Rectilinear

Shielding: Not included (Standard), Honeycomb Baffle

Wiring Length: Standard

Finish: Standard Finishes, Premium Finishes, Other - RAL, Other - Custom Color, Brass Finishes, Stainless Steel Finishes

Option: Accessory Holder - HP2, Round Grout Mask - HP2/DR2, Square Grout Mask - HP2/DR2, Glare Shield - HP2, Half Dome - HP2, Rock Guard - HP2, Rock Guard with Optical Opening - HP2, Traction Control Lens - HP2

Material Detail: Tree Ring - 1/8" thick AISI 304 stainless steel. Fixture - copper-free aluminum (6061-T6)., Furnished in brass (360)., Furnished in copper-free aluminum (6061-T6).

Aiming: Knuckle enables 180° vertical and 360° horizontal rotation. 'O' Ring helps maintain fixture position. Design withstands 73 lb. static load prior to movement for optical alignment with a 1/2" pipe thread for mounting. (Combined legacy knuckle options)

Light Source Detail: 6.5W PAR20 Green Creative LED lamp, Title 20 compliant. Halogen sourced by others. For use with 120V. No transformer required.

Hardware: Tamper-resistant, stainless steel hardware. Hardware is black oxide treated for additional corrosion resistance.

Sealing: High temperature silicone 'O' Ring at faceplate. HydroLock® technology provides fail-safe water barrier between junction box and interior components.

Note: If you choose a Lens and/or Shielding option, Accessory Holder required.

Finish Detail: StarGuard, our 15-stage chromate-free process, cleans and conversion coats aluminum components prior to application of Class 'A' TGIC polyester powder coating. It is RoHS compliant.

Warranty: 5-year limited warranty.

HP2 - In-grade - Line Voltage - Lamp PAR20 - Deep Housing - Faceplate Flush Mount

Finishes

STANDARD FINISHES



PREMIUM FINISHES



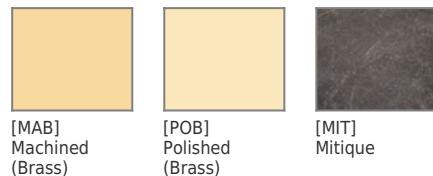
OTHER - RAL



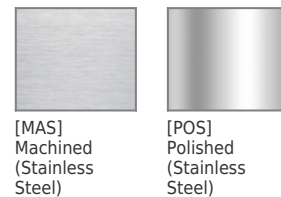
OTHER - CUSTOM COLOR



BRASS FINISHES



STAINLESS STEEL FINISHES



HP2 - In-grade - Line Voltage - Lamp PAR20 - Deep Housing - Faceplate Flush Mount

Light Source

Light Source	Optic	Beam Angle	CCT (K)	CRI	R9	Input Power (W)	Delivered Lumens (Lm)	CBCP
406	NSP - Narrow Spot	10	2850	100		39	475	3700
407	MFL - Medium Flood	30	2850	100		39	475	1000