

HP2 - In-grade - Line Voltage - LED COB - Deep Housing - Faceplate Surface Mount

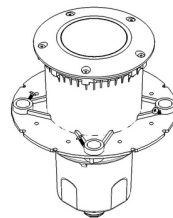
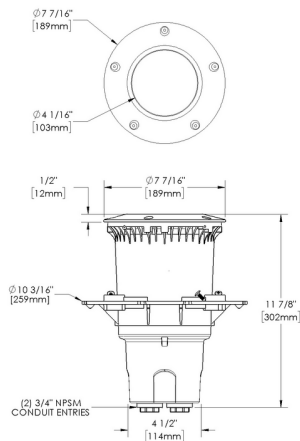
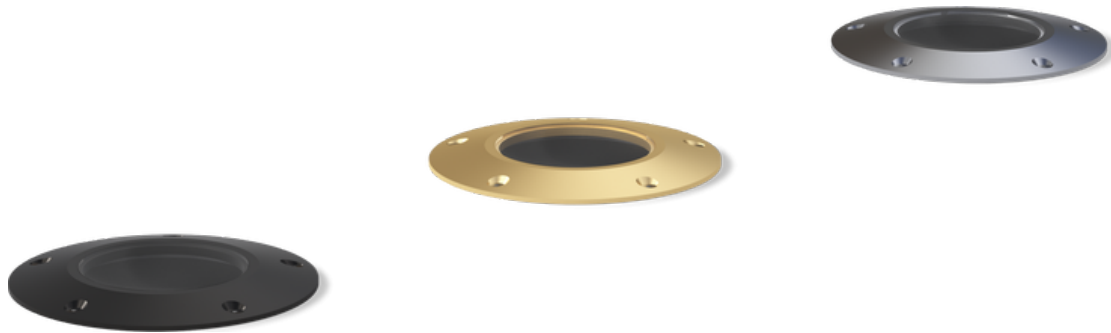
UPGRADED



Downloads

- Product Images (.zip)
- Technical Drawing (.zip)
- IES Files (.zip)
- BIM - Revit (.zip)
- Installation Instructions (.pdf)

Product Variant Examples



HP2 - In-grade - Line Voltage - LED COB - Deep Housing - Faceplate Surface Mount

Available Logic & Configurations

HP2- 01	IN- 02	LID- 03	LCB- 04	___ - 05	FSM- 06B	HDE- 06D	___ - 06E
01 SERIES HP2 - HP2	02 CATEGORY IN - In-grade	03 DRIVER LID - Line Voltage	04 LIGHT SOURCE (TYPE) LCB - LED COB		05 MATERIAL AL - Aluminum BR - Brass SS - Stainless Steel	06B MOUNT FSM - Faceplate Surface Mount	06D VERSION HDE - Deep Housing
					06E INPUT VOLTAGE 120 - 120V 277 - 277V		
___ - 07	___ - 08	___ - 09	___ - 10A	___ - 10B	WL00- 11	___ - 12	___ - 13
07 LIGHT SOURCE x43 - 2700K CRI80 - 34W (1860 - 1915 lm) x44 - 3000K CRI80 - 34W (1941 - 1998 lm) x45 - 4000K CRI80 - 34W (2022 - 2081 lm) x70 - 2700K CRI90 - 34W x71 - 3000K CRI90 - 34W x76 - 3500K CRI90 - 34W x58 - 2700K CRI80 - 12W (625 - 724 lm) x59 - 3000K CRI80 - 12W (655 - 758 lm) x60 - 4000K CRI80 - 12W (736 - 851 lm) x61 - 2700K CRI80 - 20W (1063 - 1306 lm) x62 - 3000K CRI80 - 20W (1121 - 1378 lm) x63 - 4000K CRI80 - 20W (1168 - 1435 lm)	08 OPTIC SP - Spot (15°) NFL - Narrow Flood (25°) MFL - Medium Flood (35°) WFL - Wide Flood (60°)	09 CONTROL ELV - ELV Dimming (For use with Electronic Low Voltage Dimmer. 120V only.) INC - INC Dimming (For use with Incandescent Dimmer. 120V only.) 010 - 0-10V (120V,277V)	10A LENS 09 - Clear (Standard) 12 - Soft Focus 13 - Rectilinear	10B SHIELDING 00 - Not included (Standard) 11 - Honeycomb Baffle	11 WIRING LENGTH WL00 - Standard	12 FINISH Stainless Steel Finishes MAS, POS Standard Finishes BLP, BZP, WHP, SAP, BLW, BZW, WHW, VER Premium Finishes CMG, SMG, RMG, AMG, TXF, BCM, BGE, WCP, OCP, HUG, ABP, BPP, SDS, WIR, CAP, CRM, AQW, NBP Brass Finishes MAB, POB, MIT Other - RAL RAL Other - Custom Color CUS	13 OPTION AH - Accessory Holder - HP2 GM-R - Round Grout Mask - HP2/DR2 GM-S - Square Grout Mask - HP2/DR2 TC - Traction Control Lens - HP2

NOTE: Not all configurations may be compatible with one another. Please configure the product for specific 2D, Photometry, Downloads, Spec Sheet and Compatible mountings and power supplies.

HP2 - In-grade - Line Voltage - LED COB - Deep Housing - Faceplate Surface Mount

Features



Anti-condensation vent allows moisture to exit the fixture but never enter in



Internal optics with adjustable aim



Lens factory adhered to fixture cap providing hermetically sealed optical compartment



Secured with flush, countersunk tamper resistant hardware



Machined solid billet faceplate provides unmatched strength and durability



Heavy wall corrosion-free composite housing for direct burial in soil or concrete



Designed and engineered for easy install



Manufactured in the USA with sustainable processes



Water-tight anti-siphon plug prevents moisture ingress from wireways



Easily replaceable modular components reduce waste and extend fixture life

Technical

Driver: Line Voltage

Light Source (Type): LED COB

Material: Stainless Steel, Brass, Aluminum

CCT (K): 2700, 3500, 3000, 4000

CRI: 80, 90

Input Power (W): 34, 12, 20

Delivered Lumens (lm): 625 - 2081

Beam Angle (°): 15, 25, 35, 60, 61

Control: 0-10V (120V, 277V), ELV Dimming (For use with Electronic Low Voltage Dimmer. 120V only.), INC Dimming (For use with Incandescent Dimmer. 120V only.)

Mount: Faceplate Surface Mount

Version: Deep Housing

Input Voltage: 120V, 277V

Lens: Soft Focus, Clear (Standard), Rectilinear

Shielding: Not included (Standard), Honeycomb Baffle

Wiring Length: Standard

Finish: Stainless Steel Finishes, Standard Finishes, Premium Finishes, Brass Finishes, Other - RAL, Other - Custom Color

Option: Accessory Holder - HP2, Round Grout Mask - HP2/DR2, Square Grout Mask - HP2/DR2, Traction Control Lens - HP2

Material Detail: Furnished in stainless steel (304), Furnished in brass (360), Furnished in copper-free aluminum (6061-T6).

Aiming: Dual axis OptiLock® stainless steel aiming bracket rotates 360° and provides vertical adjustment up to 15° from nadir. Positive lock action eliminates need for adjustment.

Light Source Detail: COB (Chip on Board) technology and modular design with electrical quick disconnects., 12W and 20W are compatible with Spot, Flood, Wide Flood. 34W is compatible with Narrow Flood and Wide Flood.

Optics: Interchangeable optics permit changes in the field.

Hardware: Tamper-resistant, stainless steel hardware. Hardware is black oxide treated for additional corrosion resistance.

Sealing: High temperature silicone 'O' Ring at faceplate. HydroLock® technology provides fail-safe water barrier between junction box and interior components.

Note: If you choose a Lens and/or Shielding option, Accessory Holder required.

Finish Detail: Metal finish option only for stainless steel material., Powder coat or metal finish options available for brass material., StarGuard, our 15-stage chromate-free process, cleans and conversion coats aluminum components prior to application of Class 'A' TGIC polyester powder coating. It is RoHS compliant.

Warranty: 5-year limited warranty.

HP2 - In-grade - Line Voltage - LED COB - Deep Housing - Faceplate Surface Mount

Finishes

STAINLESS STEEL FINISHES



[MAS]
Machined
(Stainless
Steel)



[POS]
Polished
(Stainless
Steel)

STANDARD FINISHES



[BLP]
Satin Black



[BZP]
Satin Bronze



[WHP]
Satin White



[SAP]
Satin
Aluminum



[BLW]
Black Wrinkle



[BZW]
Bronze
Wrinkle



[WHW]
White Wrinkle



[VER]
Verde

PREMIUM FINISHES



[CMG]
Cascade
Mountain
Granite



[SMG]
Sierra
Mountain
Granite



[RMG]
Rocky
Mountain
Granite



[AMG]
Aleutian
Mountain
Granite



[TXF]
Textured
Forest



[BCM]
Black Chrome



[BGE]
Beige



[WCP]
Weathered
Copper



[OCP]
Old Copper



[HUG]
Hunter Green



[ABP]
Antique Brass
Powder



[BPP]
Brown Patina
Powder



[SDS]
Sonoran
Desert
Sandstone



[WIR]
Weathered
Iron



[CAP]
Clear
Anodized
Powder



[CRM]
Cream

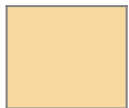


[AQW]
Antique White

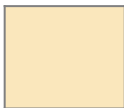


[NBP]
Natural Brass
Powder

BRASS FINISHES



[MAB]
Machined
(Brass)



[POB]
Polished
(Brass)



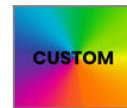
[MIT]
Mitique

OTHER - RAL



[RAL]
RAL Color

OTHER - CUSTOM COLOR



[CUS]
Custom Color

HP2 - In-grade - Line Voltage - LED COB - Deep Housing - Faceplate Surface Mount

Light Source

Light Source	Optic	Beam Angle	CCT (K)	CRI	R9	Input Power (W)	Delivered Lumens (Lm)	CBCP
x43	NFL - Narrow Flood	25	2700	80	>15	34	1915	5435
x43	WFL - Wide Flood	60	2700	80	>15	34	1860	2697
x44	NFL - Narrow Flood	25	3000	80	>15	34	1998	5672
x44	WFL - Wide Flood	60	3000	80	>15	34	1941	2814
x45	NFL - Narrow Flood	25	4000	80	>15	34	2081	5908
x45	WFL - Wide Flood	60	4000	80	>15	34	2022	2931
x70	NFL - Narrow Flood	25	2700	90	>50	34		
x70	WFL - Wide Flood	60	2700	90	>50	34		
x71	NFL - Narrow Flood	25	3000	90	>50	34		
x71	WFL - Wide Flood	60	3000	90	>50	34		
x76	NFL - Narrow Flood	25	3500	80	>15	34		
x76	WFL - Wide Flood	60	3500	80	>15	34		
x58	SP - Spot	15	2700	80	>15	12	724	3877
x58	MFL - Medium Flood	35	2700	80	>15	12	663	1498
x58	WFL - Wide Flood	60	2700	80	>15	12	625	629
x59	SP - Spot	15	3000	80	>15	12	758	4059
x59	MFL - Medium Flood	35	3000	80	>15	12	694	1568
x59	WFL - Wide Flood	60	3000	80	>15	12	655	659
x60	SP - Spot	15	4000	80	>15	12	851	4561
x60	MFL - Medium Flood	35	4000	80	>15	12	780	1762
x60	WFL - Wide Flood	61	4000	80	>15	12	736	740
x61	SP - Spot	15	2700	80	>15	20	1306	7098
x61	MFL - Medium Flood	35	2700	80	>15	20	1124	2621
x61	WFL - Wide Flood	60	2700	80	>15	20	1063	1048
x62	SP - Spot	15	3000	80	>15	20	1378	7488
x62	MFL - Medium Flood	35	3000	80	>15	20	1186	2765
x62	WFL - Wide Flood	60	3000	80	>15	20	1121	1106
x63	SP - Spot	15	4000	80	>15	20	1435	7800
x63	MFL - Medium Flood	35	4000	80	>15	20	1235	2880
x63	WFL - Wide Flood	60	4000	80	>15	20	1168	1152