

MINI MICRO - Wall Mount - Line Voltage Via Transformer - LED High-Power - Style B - Single - Universal Power Module PM1 - Asymmetrical Optics

UPGRADED



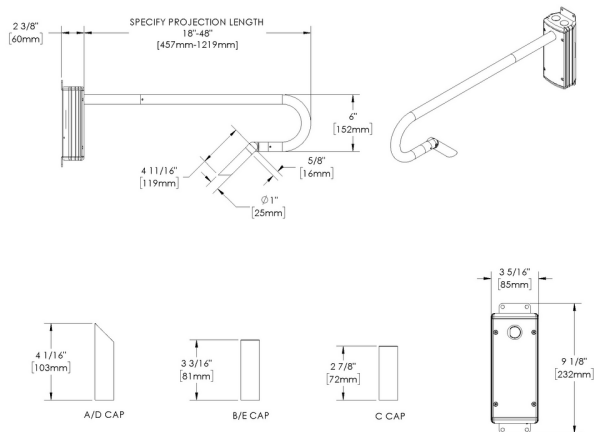
IP66



Downloads

- Product Images (.zip)
- Technical Drawing (.zip)
- 2D (.dwg)
- 2D (.dxf)
- IES Files (.zip)
- Installation Instructions (.pdf)

Product Variant Examples



MINI MICRO - Wall Mount - Line Voltage Via Transformer - LED High-Power - Style B - Single - Universal Power Module PM1 - Asymmetrical Optics

Available Logic & Configurations

MM- **WM-** **LIT-** **LHP-** **AL-** **PM1-** **-** **SB-F10-OASY-** **-**
01 02 03 04 05 06B 06C 06D 06F

01 SERIES

MM - MINI MICRO

02 CATEGORY

WM - Wall Mount

03 DRIVER

LIT - Line Voltage Via Transformer

04 LIGHT SOURCE (TYPE)

LHP - LED High-Power

05 MATERIAL

AL - Aluminum

06B MOUNT

PM1 - Universal Power Module PM1

06C STYLE

CA - Cap A - 45° (With Weephole)

CB - Cap B - 90° (With Weephole)

CC - Cap C - Flush Lens

CD - Cap D - 45°

CE - Cap E - 90°

06D VERSION

SB-F10-OASY - Style B - Single - Asymmetrical Optics

06F SIZE

ST18 - Stem length: 18"

ST24 - Stem length: 24"

ST30 - Stem length: 30"

ST36 - Stem length: 36"

- **ASY-** **NON-** **09-** **-** **WL00-** **-** **-**
07 08 09 10A 10B 11 12 13

07 LIGHT SOURCE

e70 - 2700K CRI80 - 3W (151 - 151 lm)

e71 - 3000K CRI80 - 3W (158 - 158 lm)

e72 - 4000K CRI80 - 3W (178 - 178 lm)

e73 - Amber - 3W

e85 - 2700K CRI90 - 3W

e86 - 3000K CRI90 - 3W

e87 - 3500K CRI80 - 3W

08 OPTIC

ASY - Asymmetrical (17x31°)

09 CONTROL

NON - Non-dimming

10A LENS

09 - Clear (Standard)

10B SHIELDING

00 - Not included (Standard)

11 - Honeycomb Baffle

11 WIRING LENGTH

WL00 - Standard

12 FINISH

Standard Finishes

BLP, BZP, WHP, SAP, BLW, BZW, WHW, VER

Premium Finishes

CMG, SMG, RMG, AMG, TXF, BCM, BGE, WCP, OCP, HUG, ABP, BPP, SDS,

WIR, CAP, CRM, AQW, NBP

Other - RAL

RAL

Other - Custom Color

CUS

13 OPTION

CR - Camlock Mount - Round

CR-MB - Camlock Mount - Round - With Mounting Bracket

CT - Camlock Mount - Rectangular

CT-MB - Camlock Mount - Rectangular - With Mounting Bracket

SM - Surface Mount

NOTE: Not all configurations may be compatible with one another. Please configure the product for specific 2D, Photometry, Downloads, Spec Sheet and Compatible mountings and power supplies.

MINI MICRO - Wall Mount - Line Voltage Via Transformer - LED High-Power - Style B - Single - Universal Power Module PM1 - Asymmetrical Optics

Features



Anti-condensation vent allows moisture to exit the fixture but never enter in



Lens factory adhered to fixture cap providing hermetically sealed optical compartment



Manufactured in the USA with sustainable processes



Aim & Lock knuckle eliminates need for re-aiming & adjustments



Water-tight anti-siphon plug prevents moisture ingress from wireways



Secured with tamper-resistant, stainless steel hardware



Easily replaceable modular components reduce waste and extend fixture life



Slip fit cap & high temp. silicone 'O' ring provides reliable water-tight seal



Solid billet fixture body provides unmatched durability and heat management



360SL knuckle provides 360° horizontal rotation and vertical adjustment

Technical

Driver: Line Voltage Via Transformer

Light Source (Type): LED High-Power

Material: Aluminum

CCT (K): Amber, 2700, 3500, 3000, 4000

CRI: 80, 90

Input Power (W): 3

Delivered Lumens (lm): 151 - 178

Beam Angle (°): 17x31

Control: Non-dimming

Mount: Universal Power Module PM1

Style: Cap A - 45° (With Weephole), Cap B - 90° (With Weephole), Cap C - Flush Lens, Cap D - 45°, Cap E - 90°

Version: Style B - Single - Asymmetrical Optics

Size: Stem length: 18", Stem length: 24", Stem length: 30", Stem length: 36", Stem length: 42", Stem length: 48"

Lens: Clear (Standard)

Shielding: Not included (Standard), Honeycomb Baffle

Wiring Length: Standard

Finish: Standard Finishes, Premium Finishes, Other - RAL, Other - Custom Color

Option: Camlock Mount - Round, Camlock Mount - Round - With Mounting Bracket, Camlock Mount - Rectangular, Camlock Mount - Rectangular - With Mounting Bracket, Surface Mount

Body: Unibody design, with enclosed, water-proof wireway and integral heat sink, fully machined from solid billet.

Material Detail: Furnished in copper-free aluminum (6061-T6).

Aiming: Knuckle enables 180° vertical adjustment. 'O' Ring helps maintain fixture position. Design withstands 73 lbs. static load prior to movement for optical alignment. Mounts with a 1/2" pipe thread.

Light Source Detail: High power LEDs modular design with electrical disconnects., Non-dimming.

Optics: Interchangeable optics permit changes in the field.

Hardware: Tamper-resistant, stainless steel hardware. Hardware is black oxide treated for additional corrosion resistance.

Sealing: 'O' Ring provides water-tight seal.

Note: Transformer included.

Finish Detail: StarGuard, our 15-stage chromate-free process, cleans and conversion coats aluminum components prior to application of Class 'A' TGIC polyester powder coating. It is RoHS compliant.

Warranty: 5-year limited warranty.

MINI MICRO - Wall Mount - Line Voltage Via Transformer - LED High-Power - Style B - Single - Universal Power Module PM1 - Asymmetrical Optics

Finishes

STANDARD FINISHES

 [BLP] Satin Black	 [BZP] Satin Bronze	 [WHP] Satin White
 [SAP] Satin Aluminum	 [BLW] Black Wrinkle	 [BZW] Bronze Wrinkle
 [WHW] White Wrinkle	 [VER] Verde	

PREMIUM FINISHES

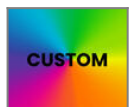
 [CMG] Cascade Mountain Granite	 [SMG] Sierra Mountain Granite	 [RMG] Rocky Mountain Granite
 [AMG] Aleutian Mountain Granite	 [TXF] Textured Forest	 [BCM] Black Chrome
 [BGE] Beige	 [WCP] Weathered Copper	 [OCP] Old Copper
 [HUG] Hunter Green	 [ABP] Antique Brass Powder	 [BPP] Brown Patina Powder
 [SDS] Sonoran Desert Sandstone	 [WIR] Weathered Iron	 [CAP] Clear Anodized Powder
 [CRM] Cream	 [AQW] Antique White	 [NBP] Natural Brass Powder

OTHER - RAL



[RAL]
RAL Color

OTHER - CUSTOM COLOR



[CUS]
Custom Color

MINI MICRO - Wall Mount - Line Voltage Via Transformer - LED High-Power - Style B - Single - Universal Power Module PM1 - Asymmetrical Optics

Light Source

Light Source	Optic	Beam Angle	CCT (K)	CRI	R9	Input Power (W)	Delivered Lumens (Lm)	CBCP
e70	ASY - Asymmetrical	17x31	2700	80	>15	3	151	613
e71	ASY - Asymmetrical	17x31	3000	80	>15	3	158	642
e72	ASY - Asymmetrical	17x31	4000	80	>15	3	178	721
e73	ASY - Asymmetrical	17x31	Amber			3		
e85	ASY - Asymmetrical	17x31	2700	90	>50	3		
e86	ASY - Asymmetrical	17x31	3000	90	>50	3		
e87	ASY - Asymmetrical	17x31	3500	80	>15	3		