

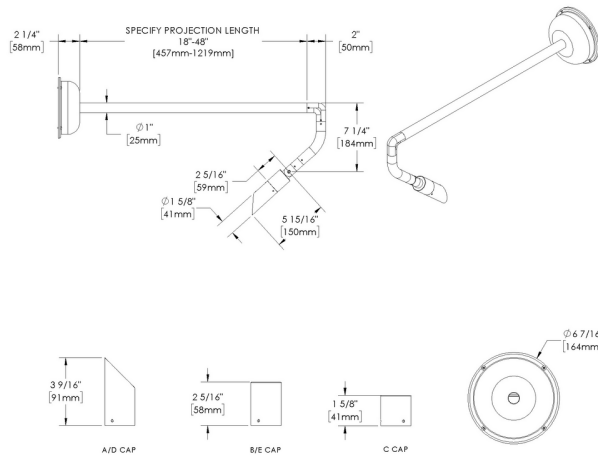
MICRO NITE - Wall Mount - Line Voltage Via Transformer - LED High-Power - Style G - Single - Power Canopy PC1



Downloads

- Product Images (.zip)
- Technical Drawing (.zip)
- 2D (.dwg)
- 2D (.dxf)
- IES Files (.zip)
- Installation Instructions (.pdf)

Product Variant Examples



MICRO NITE - Wall Mount - Line Voltage Via Transformer - LED High-Power - Style G - Single - Power Canopy PC1

Available Logic & Configurations

MN- **WM-** **LIT-** **LHP-** **AL-** **PC1-** **-** **SG-F10-** **-**
01 02 03 04 05 06B 06C 06D 06F

- 01 SERIES**
MN - MICRO NITE
- 02 CATEGORY**
WM - Wall Mount
- 03 DRIVER**
LIT - Line Voltage Via Transformer
- 04 LIGHT SOURCE (TYPE)**
LHP - LED High-Power

- 05 MATERIAL**
AL - Aluminum
- 06B MOUNT**
PC1 - Power Canopy PC1
- 06C STYLE**
CA - Cap A - 45° (With Weephole)
CB - Cap B - 90° (With Weephole)
CC - Cap C - Flush Lens
CD - Cap D - 45°
CE - Cap E - 90°
- 06D VERSION**
SG-F10 - Style G - Single
- 06F SIZE**
ST18 - Stem length: 18"
ST24 - Stem length: 24"
ST30 - Stem length: 30"
ST36 - Stem length: 36"

- **-** **NON-** **-** **-** **WL00-** **-**
07 08 09 10A 10B 11 12

- 07 LIGHT SOURCE**
e67 - 2700K CRI80 - 7W (435 - 459 lm)
e68 - 3000K CRI80 - 7W (464 - 489 lm)
e69 - 4000K CRI80 - 7W (478 - 504 lm)
e75 - Amber - 7W
e82 - 2700K CRI90 - 7W
e83 - 3000K CRI90 - 7W
e84 - 3500K CRI80 - 7W
- 08 OPTIC**
SP - Spot (17°)
NFL - Narrow Flood (25°)
MFL - Medium Flood (30°)

- 09 CONTROL**
NON - Non-dimming
- 10A LENS**
12 - Soft Focus
13 - Rectilinear
- 10B SHIELDING**
00 - Not included (Standard)
11 - Honeycomb Baffle
- 11 WIRING LENGTH**
WL00 - Standard
- 12 FINISH**
Standard Finishes
BLP, BZP, WHP, SAP, BLW, BZW, WHW, VER
Premium Finishes
CMG, SMG, RMG, AMG, TXF, BCM, BGE, WCP, OCP, HUG, ABP, BPP, SDS,
WIR, CAP, CRM, AQW, NBP
Other - RAL
RAL
Other - Custom Color
CUS

NOTE: Not all configurations may be compatible with one another. Please configure the product for specific 2D, Photometry, Downloads, Spec Sheet and Compatible mountings and power supplies.

MICRO NITE - Wall Mount - Line Voltage Via Transformer - LED High-Power - Style G - Single - Power Canopy PC1

Features



Anti-condensation vent allows moisture to exit the fixture but never enter in



Lens factory adhered to fixture cap providing hermetically sealed optical compartment



Manufactured in the USA with sustainable processes



Aim & Lock knuckle eliminates need for re-aiming & adjustments



Water-tight anti-siphon plug prevents moisture ingress from wireways



Secured with tamper-resistant, stainless steel hardware



Easily replaceable modular components reduce waste and extend fixture life



Slip fit cap & high temp. silicone 'O' ring provides reliable water-tight seal



Solid billet fixture body provides unmatched durability and heat management



360SL knuckle provides 360° horizontal rotation and vertical adjustment

Technical

Driver: Line Voltage Via Transformer

Light Source (Type): LED High-Power

Material: Aluminum

CCT (K): Amber, 2700, 3500, 3000, 4000

CRI: 80, 90

Input Power (W): 7

Delivered Lumens (lm): 435 - 504

Beam Angle (°): 17, 25, 30

Control: Non-dimming

Mount: Power Canopy PC1

Style: Cap A - 45° (With Weephole), Cap B - 90° (With Weephole), Cap C - Flush Lens, Cap D - 45°, Cap E - 90°

Version: Style G - Single

Size: Stem length: 18", Stem length: 24", Stem length: 30", Stem length: 36"

Lens: Soft Focus, Rectilinear

Shielding: Not included (Standard), Honeycomb Baffle

Wiring Length: Standard

Finish: Standard Finishes, Premium Finishes, Other - RAL, Other - Custom Color

Body: Unibody design, with enclosed, water-proof wireway and integral heat sink, fully machined from solid billet.

Material Detail: Furnished in copper-free aluminum (6061-T6).

Aiming: Knuckle enables 180° vertical adjustment. 'O' Ring helps maintain fixture position. Design withstands 73 lbs. static load prior to movement for optical alignment. Mounts with a 1/2" pipe thread.

Light Source Detail: High power LEDs modular design with electrical disconnects.

Optics: Interchangeable optics permit changes in the field.

Hardware: Tamper-resistant, stainless steel hardware. Hardware is black oxide treated for additional corrosion resistance.

Sealing: 'O' Ring provides water-tight seal.

Note: Transformer included.

Finish Detail: StarGuard, our 15-stage chromate-free process, cleans and conversion coats aluminum components prior to application of Class 'A' TGIC polyester powder coating. It is RoHS compliant.

Warranty: 5-year limited warranty.

MICRO NITE - Wall Mount - Line Voltage Via Transformer - LED High-Power - Style G - Single - Power Canopy PC1

Finishes

STANDARD FINISHES



PREMIUM FINISHES



OTHER - RAL



OTHER - CUSTOM COLOR



MICRO NITE - Wall Mount - Line Voltage Via Transformer - LED High-Power - Style G - Single - Power Canopy PC1

Light Source

| Light Source | Optic | Beam Angle | CCT (K) | CRI | R9 | Input Power (W) | Delivered Lumens (Lm) | CBCP |
|--------------|--------------------|------------|---------|-----|-----|-----------------|-----------------------|------|
| e67 | SP - Spot | 17 | 2700 | 80 | >15 | 7 | 459 | 3632 |
| e67 | NFL - Narrow Flood | 25 | 2700 | 80 | >15 | 7 | 435 | 1708 |
| e67 | MFL - Medium Flood | 30 | 2700 | 80 | >15 | 7 | 438 | 1337 |
| e68 | SP - Spot | 17 | 3000 | 80 | >15 | 7 | 489 | 3871 |
| e68 | NFL - Narrow Flood | 25 | 3000 | 80 | >15 | 7 | 464 | 1821 |
| e68 | MFL - Medium Flood | 30 | 3000 | 80 | >15 | 7 | 467 | 1425 |
| e69 | SP - Spot | 17 | 4000 | 80 | >15 | 7 | 504 | 3991 |
| e69 | NFL - Narrow Flood | 25 | 4000 | 80 | >15 | 7 | 478 | 1877 |
| e69 | MFL - Medium Flood | 30 | 4000 | 80 | >15 | 7 | 481 | 1469 |
| e75 | SP - Spot | 17 | | | | 7 | | |
| e75 | NFL - Narrow Flood | 25 | | | | 7 | | |
| e75 | MFL - Medium Flood | 30 | Amber | | | 7 | | |
| e82 | SP - Spot | 17 | 2700 | 90 | >50 | 7 | | |
| e82 | NFL - Narrow Flood | 25 | 2700 | 90 | >50 | 7 | | |
| e82 | MFL - Medium Flood | 30 | 2700 | 90 | >50 | 7 | | |
| e83 | SP - Spot | 17 | 3000 | 90 | >50 | 7 | | |
| e83 | NFL - Narrow Flood | 25 | 3000 | 90 | >50 | 7 | | |
| e83 | MFL - Medium Flood | 30 | 3000 | 90 | >50 | 7 | | |
| e84 | SP - Spot | 17 | 3500 | 80 | >15 | 7 | | |
| e84 | NFL - Narrow Flood | 25 | 3500 | 80 | >15 | 7 | | |
| e84 | MFL - Medium Flood | 30 | 3500 | 80 | >15 | 7 | | |