

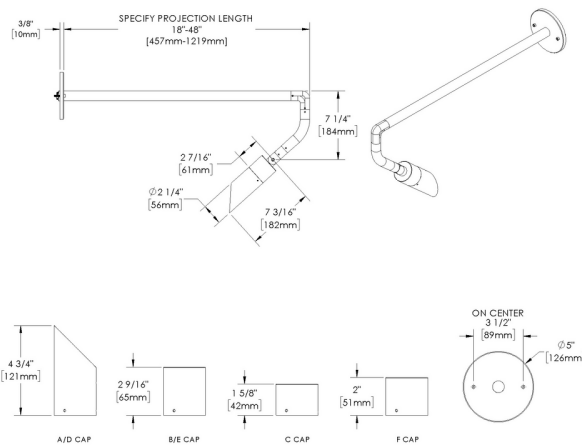
# NITE STAR - Wall Mount - Line Voltage Via Transformer - Lamp MR16 Gu5.3 - Style G - Single



**Downloads**

- Product Images (.zip)
- Technical Drawing (.zip)
- 2D (.dwg)
- 2D (.dxf)
- IES Files (.zip)
- BIM - Revit
- Installation Instructions (.pdf)

**Product Variant Examples**



# NITE STAR - Wall Mount - Line Voltage Via Transformer - Lamp MR16 Gu5.3 - Style G - Single

## Available Logic & Configurations

**NS-** 01    **WM-** 02    **LOD-** 03    **LAM16-** 04    **AL-** 05    **RO-** 06A    **BC-** 06B    **---** 06C    **SG-F10-** 06D    **---** 06F

- 01 SERIES**  
NS - NITE STAR
- 02 CATEGORY**  
WM - Wall Mount
- 03 DRIVER**  
LOD - Low Voltage
- 04 LIGHT SOURCE (TYPE)**  
LAM16 - Lamp MR16 Gu5.3

- 05 MATERIAL**  
AL - Aluminum
- 06A SHAPE**  
RO - Round
- 06B MOUNT**  
BC - Canopy
- 06C STYLE**  
CA - Cap A - 45° (With Weephole)  
CB - Cap B - 90° (With Weephole)  
CC - Cap C - Flush Lens  
CD - Cap D - 45°  
CE - Cap E - 90°  
CF - Cap F - Extended Flush Lens
- 06D VERSION**  
SG-F10 - Style G - Single
- 06F SIZE**  
ST18 - Stem length: 18"  
ST24 - Stem length: 24"  
ST30 - Stem length: 30"  
ST36 - Stem length: 36"  
ST42 - Stem length: 42"  
ST48 - Stem length: 48"

**---** 07    **---** 10A    **---** 10B    **---** 11    **---** 12

- 07 LIGHT SOURCE**  
00 - Not included  
359 - 2700K CRI90 - 7.5W - 10°  
361 - 2700K CRI90 - 7.5W - 25°  
362 - 2700K CRI90 - 7.5W - 36°  
363 - 3000K CRI90 - 7.5W - 10°  
365 - 3000K CRI90 - 7.5W - 25°  
366 - 3000K CRI90 - 7.5W - 36°

- 10A LENS**  
09 - Clear (Standard)  
12 - Soft Focus  
13 - Rectilinear
- 10B SHIELDING**  
00 - Not included (Standard)  
11 - Honeycomb Baffle
- 11 WIRING LENGTH**  
WL00 - Standard  
WL05 - 5 Ft Leads  
WL25 - 25 Ft Leads
- 12 FINISH**  
Standard Finishes  
BLP, BZP, WHP, SAP, BLW, BZW, WHW, VER  
Premium Finishes  
CMG, SMG, RMG, AMG, TXF, BCM, BGE, WCP, OCP, HUG, ABP, BPP, SDS,  
WIR, CAP, CRM, AQW, NBP  
Other - RAL  
RAL  
Other - Custom Color  
CUS

**NOTE:** Not all configurations may be compatible with one another. Please configure the product for specific 2D, Photometry, Downloads, Spec Sheet and Compatible mountings and power supplies.

# NITE STAR - Wall Mount - Line Voltage Via Transformer - Lamp MR16 Gu5.3 - Style G - Single

## Features



Anti-condensation vent allows moisture to exit the fixture but never enter in



Lens factory adhered to fixture cap providing hermetically sealed optical compartment



Manufactured in the USA with sustainable processes



Aim & Lock knuckle eliminates need for re-aiming & adjustments



Water-tight anti-siphon plug prevents moisture ingress from wireways



Secured with tamper-resistant, stainless steel hardware



Easily replaceable modular components reduce waste and extend fixture life



Slip fit cap & high temp. silicone 'O' ring provides reliable water-tight seal



Solid billet fixture body provides unmatched durability and heat management



360SL knuckle provides 360° horizontal rotation and vertical adjustment

**WARNING: This is a low voltage product. Please check "Mountings With A Power Supply" or "Power Supplies" to order remote transformer separately.**

## Technical

**Driver:** Low Voltage

**Light Source (Type):** Lamp MR16 Gu5.3

**Material:** Aluminum

**CCT (K):** 2700, 3000

**CRI:** 90

**Delivered Lumens (lm):** 620 - 656

**Beam Angle (°):** 10, 25, 36

**Control:** ELV, MLV dimming capable via compatible remote transformers. See Mountings & Power Supplies section to order.

**Shape:** Round

**Mount:** Canopy

**Style:** Cap A - 45° (With Weephole), Cap B - 90° (With Weephole), Cap C - Flush Lens, Cap D - 45°, Cap E - 90°, Cap F - Extended Flush Lens

**Version:** Style G - Single

**Input Voltage:** 12V

**Size:** Stem length: 18", Stem length: 24", Stem length: 30", Stem length: 36", Stem length: 42", Stem length: 48"

**Lens:** Soft Focus, Clear (Standard), Rectilinear

**Shielding:** Not included (Standard), Honeycomb Baffle

**Wiring Length:** Standard, 5 Ft Leads, 25 Ft Leads

**Finish:** Standard Finishes, Premium Finishes, Other - RAL, Other - Custom Color

**Body:** Unibody design, with enclosed, water-proof wireway and integral heat sink, fully machined from solid billet.

**Material Detail:** Furnished in copper-free aluminum (6061-T6).

**Aiming:** Knuckle enables 180° vertical adjustment. 'O' Ring helps maintain fixture position. Design withstands 73 lbs. static load prior to movement for optical alignment. Mounts with a 1/2" pipe thread.

**Light Source Detail:** SORAA® LED lamp provided with fixture. Fixture does NOT include lamp if "00 - Not included" is selected for "07 - Light Source". Halogen lamp compatible. NOT for use with traditional Halogen IR technology lamps.

**Hardware:** Tamper-resistant, stainless steel hardware. Hardware is black oxide treated for additional corrosion resistance.

**Sealing:** 'O' Ring provides water-tight seal.

**Finish Detail:** StarGuard, our 15-stage chromate-free process, cleans and conversion coats aluminum components prior to application of Class 'A' TGIC polyester powder coating. It is RoHS compliant.

**Warranty:** 5-year limited warranty.

# NITE STAR - Wall Mount - Line Voltage Via Transformer - Lamp MR16 Gu5.3 - Style G - Single

## Finishes

### STANDARD FINISHES



[BLP] Satin Black



[BZP] Satin Bronze



[WHP] Satin White



[SAP] Satin Aluminum



[BLW] Black Wrinkle



[BZW] Bronze Wrinkle



[WHW] White Wrinkle



[VER] Verde

### PREMIUM FINISHES



[CMG] Cascade Mountain Granite



[SMG] Sierra Mountain Granite



[RMG] Rocky Mountain Granite



[AMG] Aleutian Mountain Granite



[TXF] Textured Forest



[BCM] Black Chrome



[BGE] Beige



[WCP] Weathered Copper



[OCP] Old Copper



[HUG] Hunter Green



[ABP] Antique Brass Powder



[BPP] Brown Patina Powder



[SDS] Sonoran Desert Sandstone



[WIR] Weathered Iron



[CAP] Clear Anodized Powder



[CRM] Cream



[AQW] Antique White



[NBP] Natural Brass Powder

### OTHER - RAL



[RAL] RAL Color

### OTHER - CUSTOM COLOR



[CUS] Custom Color

# NITE STAR - Wall Mount - Line Voltage Via Transformer - Lamp MR16 Gu5.3 - Style G - Single

## Light Source

Light Source	Optic	Beam Angle	CCT (K)	CRI	R9	Input Power (W)	Delivered Lumens (Lm)	CBCP
359	NSP - Narrow Spot	10	2700	90	>50	7.5	620	8000
361	NFL - Narrow Flood	25	2700	90	>50	7.5	640	3170
362	MFL - Medium Flood	36	2700	90	>50	7.5	647	1550
363	NSP - Narrow Spot	10	3000	90	>50	7.5	636	8400
365	NFL - Narrow Flood	25	3000	90	>50	7.5	655	3300
366	MFL - Medium Flood	36	3000	90	>50	7.5	656	1650