

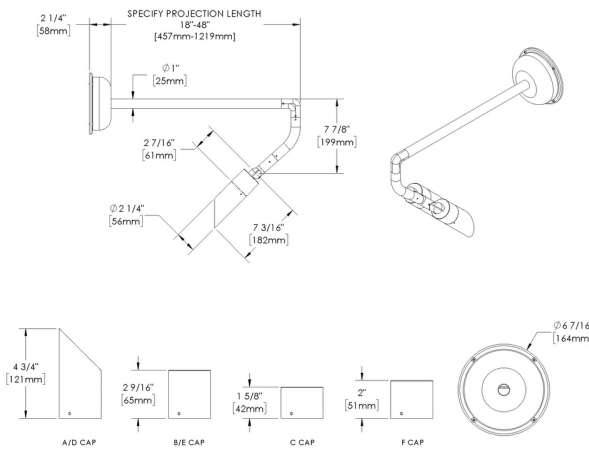
# NITE STAR - Wall Mount - Line Voltage Via Transformer - LED High-Power - Style G - 2 Fixtures - Power Canopy PC1



**Downloads**

- Product Images (.zip)
- Technical Drawing (.zip)
- 2D (.dwg)
- 2D (.dxf)
- Installation Instructions (.pdf)

**Product Variant Examples**



# NITE STAR - Wall Mount - Line Voltage Via Transformer - LED High-Power - Style G - 2 Fixtures - Power Canopy PC1

## Available Logic & Configurations

**NS-** 01   **WM-** 02   **LIT-** 03   **LHP-** 04   **AL-** 05   **RO-** 06A   **PC1-** 06B   **\_\_\_-** 06C   **SG-F20-** 06D   **\_\_\_-** 06F

**01 SERIES**

**NS** - NITE STAR

**02 CATEGORY**

**WM** - Wall Mount

**03 DRIVER**

**LIT** - Line Voltage Via Transformer

**04 LIGHT SOURCE (TYPE)**

**LHP** - LED High-Power

**05 MATERIAL**

**AL** - Aluminum

**06A SHAPE**

**RO** - Round

**06B MOUNT**

**PC1** - Power Canopy PC1

**06C STYLE**

**CA** - Cap A - 45° (With Weephole)

**CB** - Cap B - 90° (With Weephole)

**CC** - Cap C - Flush Lens

**CD** - Cap D - 45°

**CE** - Cap E - 90°

**CF** - Cap F - Extended Flush Lens

**06D VERSION**

**SG-F20** - Style G - 2 Fixtures

**06F SIZE**

**ST18** - Stem length: 18"

**ST24** - Stem length: 24"

**ST30** - Stem length: 30"

**ST36** - Stem length: 36"

**\_\_\_-** 07   **NON-** 09   **\_\_\_-** 10A   **\_\_\_-** 10B   **WL00-** 11   **\_\_\_-** 12

**07 LIGHT SOURCE**

**e64** - 2700K CRI80 - 7W (343 - 456 lm)

**e65** - 3000K CRI80 - 7W (406 - 466 lm)

**e66** - 4000K CRI80 - 7W (456 - 524 lm)

**e74** - Amber - 7W (260 - 299 lm)

**e79** - 2700K CRI90 - 7W

**e80** - 3000K CRI90 - 7W

**e81** - 3500K CRI80 - 7W

**09 CONTROL**

**NON** - Non-dimming

**10A LENS**

**12** - Soft Focus

**13** - Rectilinear

**10B SHIELDING**

**00** - Not included (Standard)

**11** - Honeycomb Baffle

**11 WIRING LENGTH**

**WL00** - Standard

**12 FINISH**

Standard Finishes

**BLP, BZP, WHP, SAP, BLW, BZW, WHW, VER**

Premium Finishes

**CMG, SMG, RMG, AMG, TXF, BCM, BGE, WCP, OCP, HUG, ABP, BPP, SDS,**

**WIR, CAP, CRM, AQW, NBP**

Other - RAL

**RAL**

Other - Custom Color

**CUS**

**NOTES (important):** #12 Soft Focus Lens no longer available and not necessary due to optimized LED/optic performance.

**NOTE:** Not all configurations may be compatible with one another. Please configure the product for specific 2D, Photometry, Downloads, Spec Sheet and Compatible mountings and power supplies.

# NITE STAR - Wall Mount - Line Voltage Via Transformer - LED High-Power - Style G - 2 Fixtures - Power Canopy PC1

## Features



Anti-condensation vent allows moisture to exit the fixture but never enter in



Lens factory adhered to fixture cap providing hermetically sealed optical compartment



Manufactured in the USA with sustainable processes



Aim & Lock knuckle eliminates need for re-aiming & adjustments



Water-tight anti-siphon plug prevents moisture ingress from wireways



Secured with tamper-resistant, stainless steel hardware



Easily replaceable modular components reduce waste and extend fixture life



Slip fit cap & high temp. silicone 'O' ring provides reliable water-tight seal



Solid billet fixture body provides unmatched durability and heat management



360SL knuckle provides 360° horizontal rotation and vertical adjustment

## Technical

**Driver:** Line Voltage Via Transformer

**Light Source (Type):** LED High-Power

**Material:** Aluminum

**Input Power (W):** 7

**Delivered Lumens (lm):** Array

**Control:** Non-dimming

**Shape:** Round

**Mount:** Power Canopy PC1

**Style:** Cap A - 45° (With Weephole), Cap B - 90° (With Weephole), Cap C - Flush Lens, Cap D - 45°, Cap E - 90°, Cap F - Extended Flush Lens

**Version:** Style G - 2 Fixtures

**Size:** Stem length: 18", Stem length: 24", Stem length: 30", Stem length: 36"

**Lens:** Soft Focus, Rectilinear

**Shielding:** Not included (Standard), Honeycomb Baffle

**Wiring Length:** Standard

**Finish:** Standard Finishes, Premium Finishes, Other - RAL, Other - Custom Color

**Body:** Unibody design with enclosed, water-proof wireway, integral heat sink, fully machined from solid billet, anti-condensation and corrosion vent equalizes fixture pressure and eliminates potential for damage to internal components.

**Material Detail:** Furnished in copper-free aluminum (6061-T6).

**Aiming:** 360SL provides biaxial source control with 360° horizontal rotation in addition to vertical adjustment.

**Light Source Detail:** High power LEDs modular design with electrical disconnects.

**Optics:** Interchangeable optics permit changes in the field.

**Hardware:** Tamper-resistant, stainless steel hardware. Hardware is black oxide treated for additional corrosion resistance.

**Sealing:** 'O' Ring provides water-tight seal., Anti-condensation and corrosion vent equalizes fixture pressure and eliminates potential for damage to internal components.

**Note:** Transformer included., Adjust-e-Lume, an LED board feature, allows for dynamic lumen response at the individual fixture. Indexed (100% to 25% nom.) lumen output. Maintains output at desired level or may be changed (A9 to A1). Standard preset from the factory is A9 (100%).

**Finish Detail:** StarGuard, our 15-stage chromate-free process, cleans and conversion coats aluminum components prior to application of Class 'A' TGIC polyester powder coating. It is RoHS compliant.

**Warranty:** 5-year limited warranty.

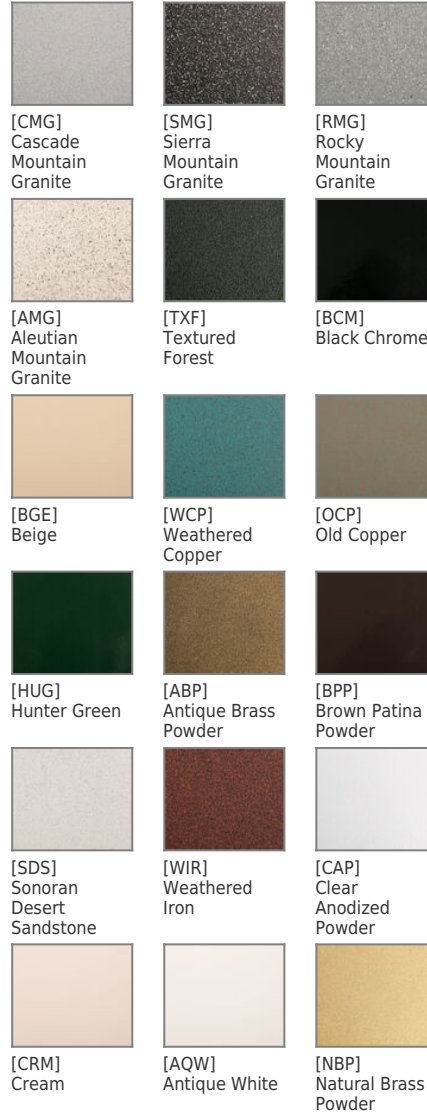
# NITE STAR - Wall Mount - Line Voltage Via Transformer - LED High-Power - Style G - 2 Fixtures - Power Canopy PC1

## Finishes

### STANDARD FINISHES



### PREMIUM FINISHES



### OTHER - RAL



### OTHER - CUSTOM COLOR

