

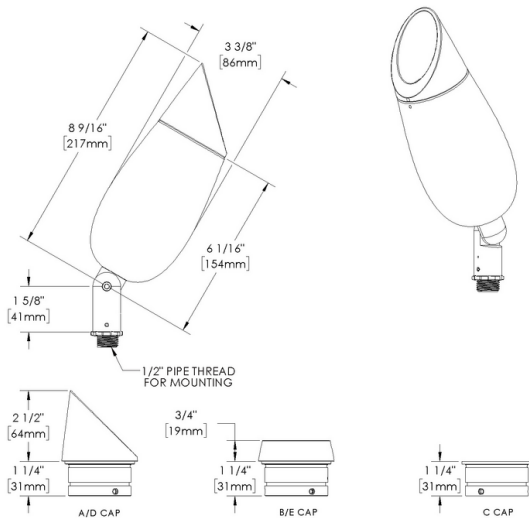
RIO - Floodlight - Line Voltage - Laser - Round



Downloads

- Product Images (.zip)
- Technical Drawing (.zip)
- 2D (.dwg)
- 2D (.dxf)
- BIM - Revit (.zip)
- Installation Instructions (.pdf)

Product Variant Examples



RIO - Floodlight - Line Voltage - Laser - Round

Available Logic & Configurations

RI- **FL-** **LID-** **LZR-** **AL-** **RO-** **TKM-** **___-**
 01 02 03 04 05 06A 06B 06C

01 SERIES

RI - RIO

02 CATEGORY

FL - Floodlight

03 DRIVER

LID - Line Voltage

04 LIGHT SOURCE (TYPE)

LZR - Laser

05 MATERIAL

AL - Aluminum

06A SHAPE

RO - Round

06B MOUNT

TKM - Threaded Knuckle Mount

06C STYLE

CA - Cap A - 45° (With Weephole)

CB - Cap B - 90° (With Weephole)

CC - Cap C - Flush Lens

CD - Cap D - 45°

CE - Cap E - 90°

Z1- **___-** **___-** **___-** **___-** **___-** **___-**
 07 08 10A 10B 11 12 13

07 LIGHT SOURCE

Z1 - 6000K CRI70 - 14.5W (277 - 288 lm)

08 OPTIC

VNSP - Very Narrow Spot (4°)

VNSP2 - Very Narrow Spot (5°)

VNSP3 - Very Narrow Spot (8°)

10A LENS

09 - Clear (Standard)

13 - Rectilinear

10B SHIELDING

00 - Not included (Standard)

11 - Honeycomb Baffle

11 WIRING LENGTH

WL00 - Standard

WL05 - 5 Ft Leads

WL25 - 25 Ft Leads

12 FINISH

Standard Finishes

BLP, BZP, WHP, SAP, BLW, BZW, WHW, VER

Premium Finishes

CMG, SMG, RMG, AMG, TXF, BCM, BGE, WCP, OCP, HUG, ABP, BPP, SDS,

WIR, CAP, CRM, AQW, NBP

Other - RAL

RAL

Other - Custom Color

CUS

13 OPTION

TE - Tamper Resistant

NOTE: Not all configurations may be compatible with one another. Please configure the product for specific 2D, Photometry, Downloads, Spec Sheet and Compatible mountings and power supplies.

RIO - Floodlight - Line Voltage - Laser - Round

Features



Anti-condensation vent allows moisture to exit the fixture but never enter in



First and only floodlight to incorporate a true laser diode source



Lens factory adhered to fixture cap providing hermetically sealed optical compartment



Manufactured in the USA with sustainable processes



Aim & Lock knuckle eliminates need for re-aiming & adjustments



Water-tight anti-siphon plug prevents moisture ingress from wireways



Easily replaceable modular components reduce waste and extend fixture life



Slip fit cap & high temp. silicone 'O' ring provides reliable water-tight seal



Solid billet fixture body provides unmatched durability and heat management



Integrated knuckle design provides 360° horizontal rotation and vertical adjustment

Technical

Driver: Line Voltage

Light Source (Type): Laser

Material: Aluminum

CCT (K): 6000

CRI: 70

Input Power (W): 14.5

Delivered Lumens (lm): 277 - 288

Beam Angle (°): 4, 5, 8

Shape: Round

Mount: Threaded Knuckle Mount

Style: Cap A - 45° (With Weephole), Cap B - 90° (With Weephole), Cap C - Flush Lens, Cap D - 45°, Cap E - 90°

Lens: Clear (Standard), Rectilinear

Shielding: Not included (Standard), Honeycomb Baffle

Wiring Length: Standard, 5 Ft Leads, 25 Ft Leads

Finish: Standard Finishes, Premium Finishes, Other - RAL, Other - Custom Color

Option: Tamper Resistant

Body: Unibody design with enclosed, water-proof wireway, integral heat sink, fully machined from solid billet, anti-condensation and corrosion vent equalizes fixture pressure and eliminates potential for damage to internal components.

Material Detail: Furnished in copper-free aluminum (6061-T6).

Aiming: Knuckle enables 180° vertical adjustment. 'O' Ring helps maintain fixture position. Design withstands 73 lbs. static load prior to movement for optical alignment. Mounts with a 1/2" pipe thread.

Light Source Detail: CAUTION Laser Light. Do not stare into beam. Class II Laser Product.

Optics: Interchangeable optics permit changes in the field.

Hardware: Tamper-resistant, stainless steel hardware. Hardware is black oxide treated for additional corrosion resistance.

Sealing: 'O' Ring provides water-tight seal., Anti-condensation and corrosion vent equalizes fixture pressure and eliminates potential for damage to internal components.

Note: Tamper Resistant required for Very Narrow Spot (VNSP) optic., Extended leads are NOT for direct burial. Contact factory for direct burial lead options.

Finish Detail: StarGuard, our 15-stage chromate-free process, cleans and conversion coats aluminum components prior to application of Class 'A' TGIC polyester powder coating. It is RoHS compliant.

Warranty: 5-year limited warranty.

RIO - Floodlight - Line Voltage - Laser - Round

Finishes

STANDARD FINISHES



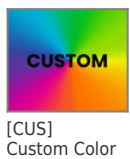
PREMIUM FINISHES



OTHER - RAL



OTHER - CUSTOM COLOR



RIO - Floodlight - Line Voltage - Laser - Round

Light Source

Light Source	Optic	Beam Angle	CCT (K)	CRI	R9	Input Power (W)	Delivered Lumens (Lm)	CBCP
Z1	VNSP - Very Narrow Spot	4	6000	70		14.5	288	14386
Z1	VNSP2 - Very Narrow Spot	5	6000	70		14.5	278	10527
Z1	VNSP3 - Very Narrow Spot	8	6000	70		14.5	277	5019