

SARATOGA - Floodlight - Remote Driver - LED COB



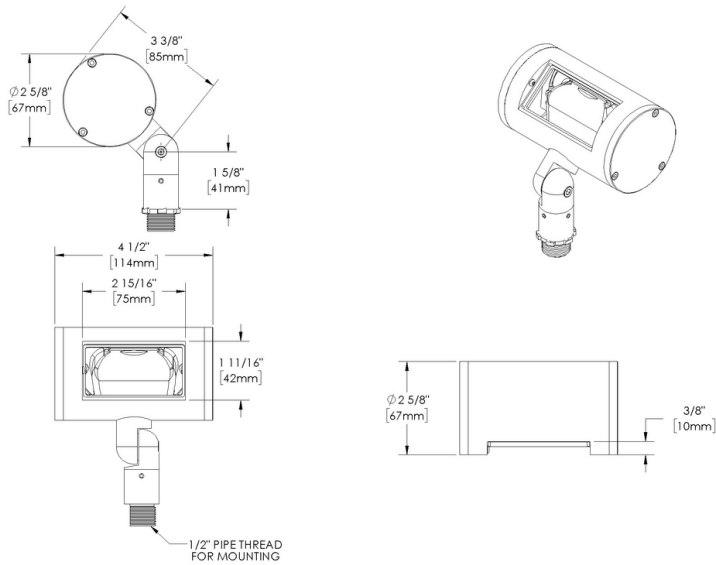
IP66



Downloads

- Product Images (.zip)
- Technical Drawing (.zip)
- 2D (.dwg)
- 2D (.dxf)
- IES Files (.zip)
- BIM - Revit (.zip)
- Installation Instructions (.pdf)

Product Variant Examples



SARATOGA - Floodlight - Remote Driver - LED COB

Available Logic & Configurations

SA- **FL-** **RMD-** **LCB-** **AL-** **TKM-** **-**
 01 02 03 04 05 06B 06D

01 SERIES

SA - SARATOGA

02 CATEGORY

FL - Floodlight

03 DRIVER

RMD - Remote Driver

04 LIGHT SOURCE (TYPE)

LCB - LED COB

05 MATERIAL

AL - Aluminum

06B MOUNT

TKM - Threaded Knuckle Mount

06D VERSION

OOTH - Other Optics

WW - Wall Wash

- **-** **-** **-** **WL00-** **-** **-** **-**
 07 08 10A 10B 11 12 13 14

07 LIGHT SOURCE

x52 - 2700K CRI80 - 10W (479.4 - 479.4 lm)

x53 - 3000K CRI80 - 10W (484.8 - 484.8 lm)

x54 - 4000K CRI80 - 10W (538.7 - 538.7 lm)

08 OPTIC

SP - Spot (20°)

WFL - Wide Flood (50°)

WW - Wall Wash (111.8 x 83.8°)

10A LENS

13 - Rectilinear

09 - Clear (Standard)

10B SHIELDING

00 - Not included (Standard)

11 - Honeycomb Baffle

11 WIRING LENGTH

WL00 - Standard

12 FINISH

Standard Finishes

BLP, BZP, WHP, SAP, BLW, BZW, WHW, VER

Premium Finishes

CMG, SMG, RMG, AMG, TXF, BCM, BGE, WCP, OCP, HUG, ABP, BPP, SDS,

WIR, CAP, CRM, AQW, NBP

Other - RAL

RAL

Other - Custom Color

CUS

13 OPTION

360SL-AL - Knuckle 360SL - Aluminum

14 ACCESSORY

BD-SA - Adjustable Barn Doors - Saratoga

CV-SA - Cutoff Visor - Saratoga

CS-SA - Cutoff Snoot - Saratoga

NOTE: Not all configurations may be compatible with one another. Please configure the product for specific 2D, Photometry, Downloads, Spec Sheet and Compatible mountings and power supplies.

WARNING: This is a remote driver product. Please check "Mountings With A Power Supply" or "Power Supplies" to order remote driver separately. (IMPORTANT: Driver wattage MUST match selected fixture wattage. Example: 12W Light Source = 12W Driver)

SARATOGA - Floodlight - Remote Driver - LED COB

Features



Lens factory adhered to fixture cap providing hermetically sealed optical compartment



Manufactured in the USA with sustainable processes



Aim & Lock knuckle eliminates need for re-aiming & adjustments



Water-tight anti-siphon plug prevents moisture ingress from wireways



Secured with tamper-resistant, stainless steel hardware



Easily replaceable modular components reduce waste and extend fixture life



360SL knuckle provides 360° horizontal rotation and vertical adjustment

Technical

Driver: Remote Driver
Light Source (Type): LED COB
Material: Aluminum
CCT (K): 2700, 3000, 4000
CRI: 80
Input Power (W): 10
Delivered Lumens (lm): 479.4 - 1467.5
Beam Angle (°): 20, 50, 111.8 x 83.8
Mount: Threaded Knuckle Mount
Version: Wall Wash, Other Optics
Lens: Rectilinear, Clear (Standard)
Shielding: Not included (Standard), Honeycomb Baffle
Wiring Length: Standard
Finish: Standard Finishes, Premium Finishes, Other - RAL, Other - Custom Color
Option: Knuckle 360SL - Aluminum
Accessory: Adjustable Barn Doors - Saratoga, Cutoff Snoot - Saratoga, Cutoff Visor - Saratoga

Body: Enclosed, water-proof wireway with machined end caps gasketed to create a water-tight seal for optical compartment
Material Detail: Furnished in copper-free aluminum (6061-T6).
Aiming: Knuckle enables 180° vertical adjustment. 'O' Ring helps maintain fixture position. Design withstands 73 lbs. static load prior to movement for optical alignment. Mounts with a 1/2" pipe thread.
Light Source Detail: COB (Chip on Board) technology and modular design with electrical quick disconnects.
Optics: Interchangeable optics permit changes in the field.
Hardware: Tamper-resistant, stainless steel hardware. Hardware is black oxide treated for additional corrosion resistance.
Sealing: Machined end caps gasketed to create a water-tight seal for optical compartment.
Finish Detail: StarGuard, our 15-stage chromate-free process, cleans and conversion coats aluminum components prior to application of Class 'A' TGIC polyester powder coating. It is RoHS compliant.
Warranty: 5-year limited warranty.

WARNING: This is a remote driver product. Please check "Mountings With A Power Supply" or "Power Supplies" to order remote driver separately. (IMPORTANT: Driver wattage MUST match selected fixture wattage. Example: 12W Light Source = 12W Driver)

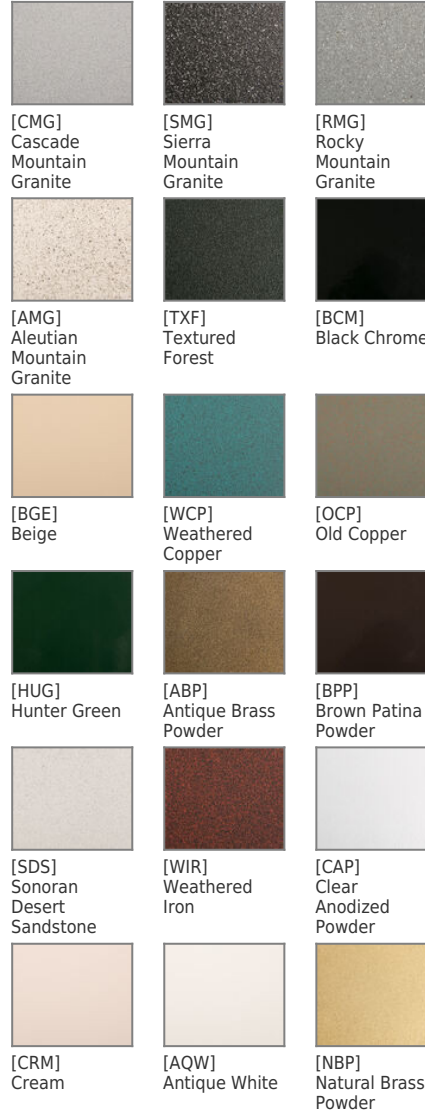
SARATOGA - Floodlight - Remote Driver - LED COB

Finishes

STANDARD FINISHES



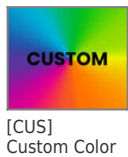
PREMIUM FINISHES



OTHER - RAL



OTHER - CUSTOM COLOR



SARATOGA - Floodlight - Remote Driver - LED COB

Light Source

Light Source	Optic	Beam Angle	CCT (K)	CRI	R9	Input Power (W)	Delivered Lumens (Lm)	CBCP
x52	WW - Wall Wash	111.8 x 83.8	2700	80	>15	10	479.4	
x53	WW - Wall Wash	111.8 x 83.8	3000	80	>15	10	484.8	
x54	WW - Wall Wash	111.8 x 83.8	4000	80	>15	10	538.7	
x52	SP - Spot	20	2700	80	>15	10	904.9	
x52	WFL - Wide Flood	50	2700	80	>15	10	1306.1	
x53	SP - Spot	20	3000	80	>15	10	945.5	
x53	WFL - Wide Flood	50	3000	80	>15	10	1364.8	
x54	SP - Spot	20	4000	80	>15	10	1016.7	
x54	WFL - Wide Flood	50	4000	80	>15	10	1467.5	