

STEP STAR - Bollard - Line Voltage Via Transformer - Lamp MR16 Gu5.3 - Faceplate: Standard

UPGRADED

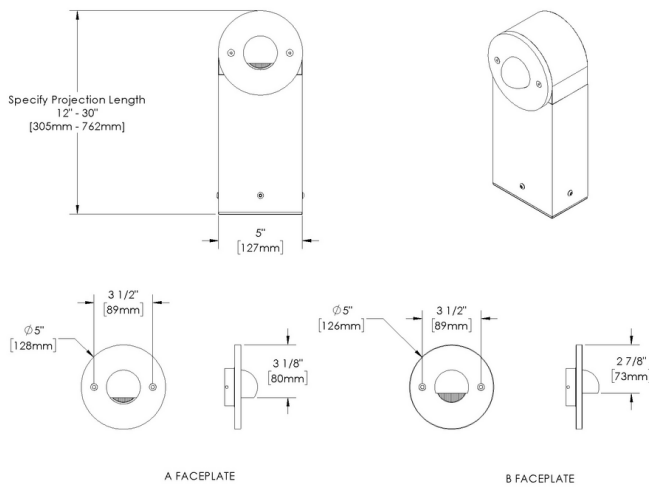


IP66

Downloads

- Product Images (.zip)
- Technical Drawing (.zip)
- 2D (.dwg)
- 2D (.dxf)
- BIM - Revit (.zip)
- Installation Instructions (.pdf)

Product Variant Examples



STEP STAR - Bollard - Line Voltage Via Transformer - Lamp MR16 Gu5.3 - Faceplate: Standard

Available Logic & Configurations

SS- **BO-** **LIT-** **LAM16-** **AL-** **RO-** **___-** **___-** **___-** **___-**
 01 02 03 04 05 06A 06B 06C 06E 06F

01 SERIES

SS - STEP STAR

02 CATEGORY

BO - Bollard

03 DRIVER

LIT - Line Voltage Via Transformer

04 LIGHT SOURCE (TYPE)

LAM16 - Lamp MR16 Gu5.3

05 MATERIAL

AL - Aluminum

06A SHAPE

RO - Round

06B MOUNT

AB - Anchor Base

PI1-J18 - Pipe PI1 - 18" Junction Box

06C STYLE

FSDA - Faceplate: Standard - Pattern A - 68° Angle - Round

FSDB - Faceplate: Standard - Pattern B - 90° Angle - Round

06E INPUT VOLTAGE

120 - 120V

277 - 277V

06F SIZE

H08 - Height: 08"

H12 - Height: 12"

H18 - Height: 18"

H24 - Height: 24"

H30 - Height: 30"

___- **ELV-** **13-** **00-** **WL00-** **___-**
 07 09 10A 10B 11 12

07 LIGHT SOURCE

00 - Not included

359 - 2700K CRI90 - 7.5W - 10°

361 - 2700K CRI90 - 7.5W - 25°

362 - 2700K CRI90 - 7.5W - 36°

363 - 3000K CRI90 - 7.5W - 10°

365 - 3000K CRI90 - 7.5W - 25°

366 - 3000K CRI90 - 7.5W - 36°

09 CONTROL

ELV - ELV Dimming (For use with Electronic Low Voltage Dimmer. 120V only.)

10A LENS

13 - Rectilinear

10B SHIELDING

00 - Not included (Standard)

11 WIRING LENGTH

WL00 - Standard

12 FINISH

Standard Finishes

BLP, BZP, WHP, SAP, BLW, BZW, WHW, VER

Premium Finishes

CMG, SMG, RMG, AMG, TXF, BCM, BGE, WCP, OCP, HUG, ABP, BPP, SDS,

WIR, CAP, CRM, AQW, NBP

Other - RAL

RAL

Other - Custom Color

CUS

NOTE: Not all configurations may be compatible with one another. Please configure the product for specific 2D, Photometry, Downloads, Spec Sheet and Compatible mountings and power supplies.

STEP STAR - Bollard - Line Voltage Via Transformer - Lamp MR16 Gu5.3 - Faceplate: Standard

Features



Internal optics with adjustable aim



Lens factory adhered to fixture cap providing hermetically sealed optical compartment



Secured with flush, countersunk tamper resistant hardware



Machined solid billet faceplate provides unmatched strength and durability



Manufactured in the USA with sustainable processes



Water-tight anti-siphon plug prevents moisture ingress from wireways



Easily replaceable modular components reduce waste and extend fixture life

Technical

Driver: Line Voltage Via Transformer

Light Source (Type): Lamp MR16 Gu5.3

Material: Aluminum

CCT (K): 2700, 3000

CRI: 90

Delivered Lumens (lm): Array

Beam Angle (°): 10, 25, 36

Control: ELV Dimming (For use with Electronic Low Voltage Dimmer. 120V only.)

Shape: Round

Mount: Anchor Base, Pipe P11 - 18" Junction Box

Style: Faceplate: Standard - Pattern A - 68° Angle - Round, Faceplate: Standard - Pattern B - 90° Angle - Round

Input Voltage: 120V, 277V

Size: Height: 08", Height: 12", Height: 18", Height: 24", Height: 30"

Lens: Rectilinear

Shielding: Not included (Standard)

Wiring Length: Standard

Finish: Standard Finishes, Premium Finishes, Other - RAL, Other - Custom Color

Body: Unibody design, with enclosed, water-proof wireway and integral heat sink, fully machined from solid billet.

Material Detail: Furnished in copper-free aluminum (6061-T6).

Aiming: Adjustable optical bracket provides up to 24° vertical aiming., Choice of 90° or 68° optical cutoff for mounting heights well below typical visual glare angles.

Light Source Detail: SORAA® LED lamp provided with fixture. Fixture does NOT include lamp if "00 - Not included" is selected for "07 - Light Source". Halogen lamp compatible. NOT for use with traditional Halogen IR technology lamps.

Hardware: Tamper-resistant, stainless steel hardware. Hardware is black oxide treated for additional corrosion resistance.

Sealing: Concealed, single piece high temperature closed cell silicone gasket between faceplate and housing.

Note: Transformer included., Stability Flange included.

Finish Detail: StarGuard, our 15-stage chromate-free process, cleans and conversion coats aluminum components prior to application of Class 'A' TGIC polyester powder coating. It is RoHS compliant.

Warranty: 5-year limited warranty.

STEP STAR - Bollard - Line Voltage Via Transformer - Lamp MR16 Gu5.3 - Faceplate: Standard

Finishes

STANDARD FINISHES



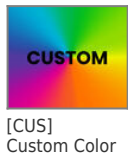
PREMIUM FINISHES



OTHER - RAL



OTHER - CUSTOM COLOR



STEP STAR - Bollard - Line Voltage Via Transformer - Lamp MR16 Gu5.3 - Faceplate: Standard

Light Source

Light Source	Optic	Beam Angle	CCT (K)	CRI	R9	Input Power (W)	Delivered Lumens (Lm)	CBCP
359	NSP - Narrow Spot	10	2700	90	>50	7.5		8000
361	NFL - Narrow Flood	25	2700	90	>50	7.5		3170
362	MFL - Medium Flood	36	2700	90	>50	7.5		1550
363	NSP - Narrow Spot	10	3000	90	>50	7.5		8400
365	NFL - Narrow Flood	25	3000	90	>50	7.5		3300
366	MFL - Medium Flood	36	3000	90	>50	7.5		1650