

STEP STAR - Bollard - Low Voltage - Lamp MR16 Gu5.3 - Faceplate: Standard

UPGRADED

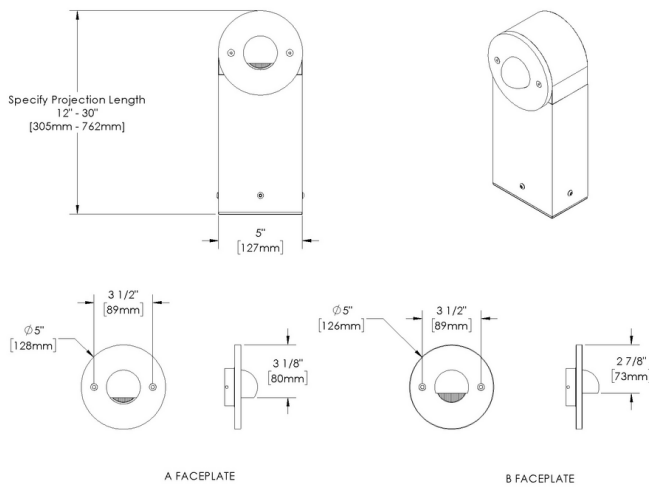


IP66

Downloads

- Product Images (.zip)
- Technical Drawing (.zip)
- 2D (.dwg)
- 2D (.dxf)
- BIM - Revit (.zip)
- Installation Instructions (.pdf)

Product Variant Examples



STEP STAR - Bollard - Low Voltage - Lamp MR16 Gu5.3 - Faceplate: Standard

Available Logic & Configurations

SS- **BO-** **LOD-** **LAM16-** **AL-** **RO-** **___-** **___-** **___-**
 01 02 03 04 05 06A 06B 06C 06F

- 01 SERIES**
SS - STEP STAR
- 02 CATEGORY**
BO - Bollard
- 03 DRIVER**
LOD - Low Voltage
- 04 LIGHT SOURCE (TYPE)**
LAM16 - Lamp MR16 Gu5.3

- 05 MATERIAL**
AL - Aluminum
- 06A SHAPE**
RO - Round
- 06B MOUNT**
AB - Anchor Base
PI1-S18 - Pipe PI1 - 18" Stake
- 06C STYLE**
FSDA - Faceplate: Standard - Pattern A - 68° Angle - Round
FSDB - Faceplate: Standard - Pattern B - 90° Angle - Round
- 06F SIZE**
H08 - Height: 08"
H12 - Height: 12"
H18 - Height: 18"
H24 - Height: 24"
H30 - Height: 30"

___- **13-** **00-** **WL00-** **___-**
 07 10A 10B 11 12

- 07 LIGHT SOURCE**
00 - Not included
359 - 2700K CRI90 - 7.5W - 10°
361 - 2700K CRI90 - 7.5W - 25°
362 - 2700K CRI90 - 7.5W - 36°
363 - 3000K CRI90 - 7.5W - 10°
365 - 3000K CRI90 - 7.5W - 25°
366 - 3000K CRI90 - 7.5W - 36°

- 10A LENS**
13 - Rectilinear
- 10B SHIELDING**
00 - Not included (Standard)
- 11 WIRING LENGTH**
WL00 - Standard
- 12 FINISH**
Standard Finishes
BLP, BZP, WHP, SAP, BLW, BZW, WHW, VER
Premium Finishes
CMG, SMG, RMG, AMG, TXF, BCM, BGE, WCP, OCP, HUG, ABP, BPP, SDS,
WIR, CAP, CRM, AQW, NBP
Other - RAL
RAL
Other - Custom Color
CUS

NOTE: Not all configurations may be compatible with one another. Please configure the product for specific 2D, Photometry, Downloads, Spec Sheet and Compatible mountings and power supplies.

STEP STAR - Bollard - Low Voltage - Lamp MR16 Gu5.3 - Faceplate: Standard

Features



Internal optics with adjustable aim



Lens factory adhered to fixture cap providing hermetically sealed optical compartment



Secured with flush, countersunk tamper resistant hardware



Machined solid billet faceplate provides unmatched strength and durability



Manufactured in the USA with sustainable processes



Water-tight anti-siphon plug prevents moisture ingress from wireways



Easily replaceable modular components reduce waste and extend fixture life

WARNING: This is a low voltage product. Please check "Mountings With A Power Supply" or "Power Supplies" to order remote transformer separately.

Technical

Driver: Low Voltage

Light Source (Type): Lamp MR16 Gu5.3

Material: Aluminum

CCT (K): 2700, 3000

CRI: 90

Delivered Lumens (lm): Array

Beam Angle (°): 10, 25, 36

Shape: Round

Mount: Anchor Base, Pipe P11 - 18" Stake

Style: Faceplate: Standard - Pattern A - 68° Angle - Round, Faceplate: Standard - Pattern B - 90° Angle - Round

Size: Height: 08", Height: 12", Height: 18", Height: 24", Height: 30"

Lens: Rectilinear

Shielding: Not included (Standard)

Wiring Length: Standard

Finish: Standard Finishes, Premium Finishes, Other - RAL, Other - Custom Color

Material Detail: Furnished in copper-free aluminum (6061-T6).

Aiming: Adjustable optical bracket provides up to 24° vertical aiming., Choice of 90° or 68° optical cutoff for mounting heights well below typical visual glare angles.

Light Source Detail: SORAA® LED lamp provided with fixture. Fixture does NOT include lamp if "00 - Not included" is selected for "07 - Light Source". Halogen lamp compatible. NOT for use with traditional Halogen IR technology lamps.

Hardware: Tamper-resistant, stainless steel hardware. Hardware is black oxide treated for additional corrosion resistance.

Sealing: Concealed, single piece high temperature closed cell silicone gasket between faceplate and housing.

Note: Stability Flange included.

Finish Detail: StarGuard, our 15-stage chromate-free process, cleans and conversion coats aluminum components prior to application of Class 'A' TGIC polyester powder coating. It is RoHS compliant.

Warranty: 5-year limited warranty.

STEP STAR - Bollard - Low Voltage - Lamp MR16 Gu5.3 - Faceplate: Standard

Finishes

STANDARD FINISHES



[BLP] Satin Black



[BZP] Satin Bronze



[WHP] Satin White



[SAP] Satin Aluminum



[BLW] Black Wrinkle



[BZW] Bronze Wrinkle



[WHW] White Wrinkle



[VER] Verde

PREMIUM FINISHES



[CMG] Cascade Mountain Granite



[SMG] Sierra Mountain Granite



[RMG] Rocky Mountain Granite



[AMG] Aleutian Mountain Granite



[TXF] Textured Forest



[BCM] Black Chrome



[BGE] Beige



[WCP] Weathered Copper



[OCP] Old Copper



[HUG] Hunter Green



[ABP] Antique Brass Powder



[BPP] Brown Patina Powder



[SDS] Sonoran Desert Sandstone



[WIR] Weathered Iron



[CAP] Clear Anodized Powder



[CRM] Cream



[AQW] Antique White



[NBP] Natural Brass Powder

OTHER - RAL



[RAL] RAL Color

OTHER - CUSTOM COLOR



[CUS] Custom Color

STEP STAR - Bollard - Low Voltage - Lamp MR16 Gu5.3 - Faceplate: Standard

Light Source

Light Source	Optic	Beam Angle	CCT (K)	CRI	R9	Input Power (W)	Delivered Lumens (Lm)	CBCP
359	NSP - Narrow Spot	10	2700	90	>50	7.5		8000
361	NFL - Narrow Flood	25	2700	90	>50	7.5		3170
362	MFL - Medium Flood	36	2700	90	>50	7.5		1550
363	NSP - Narrow Spot	10	3000	90	>50	7.5		8400
365	NFL - Narrow Flood	25	3000	90	>50	7.5		3300
366	MFL - Medium Flood	36	3000	90	>50	7.5		1650