

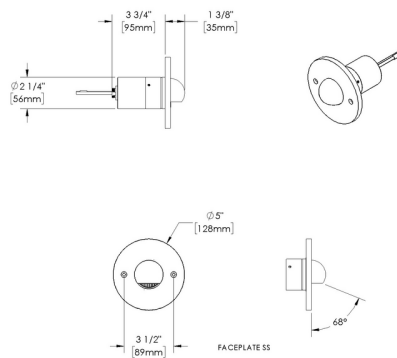
STEP STAR - Wall Recessed - Low Voltage - Lamp MR16 Gu5.3 - Round - Core Drill - Faceplate: Standard



Downloads

- Product Images (.zip)
- Technical Drawing (.zip)
- 2D (.dwg)
- 2D (.dxf)
- BIM - Revit (.zip)
- Installation Instructions (.pdf)

Product Variant Examples



STEP STAR - Wall Recessed - Low Voltage - Lamp MR16 Gu5.3 - Round - Core Drill - Faceplate: Standard

Available Logic & Configurations

SS- **WR-** **LOD-** **LAM16-** **___-** **RO-** **CD-** **___-**
01 02 03 04 05 06A 06B 06C

01 SERIES

SS - STEP STAR

02 CATEGORY

WR - Wall Recessed

03 DRIVER

LOD - Low Voltage

04 LIGHT SOURCE (TYPE)

LAM16 - Lamp MR16 Gu5.3

05 MATERIAL

AL - Aluminum

BR - Brass

06A SHAPE

RO - Round

06B MOUNT

CD - Core Drill

06C STYLE

FSDA - Faceplate: Standard - Pattern A - 68° Angle - Round

FSDB - Faceplate: Standard - Pattern B - 90° Angle - Round

___- **13-** **00-** **WL00-** **___-**
07 10A 10B 11 12

07 LIGHT SOURCE

00 - Not included

359 - 2700K CRI90 - 7.5W - 10°

361 - 2700K CRI90 - 7.5W - 25°

362 - 2700K CRI90 - 7.5W - 36°

363 - 3000K CRI90 - 7.5W - 10°

365 - 3000K CRI90 - 7.5W - 25°

366 - 3000K CRI90 - 7.5W - 36°

10A LENS

13 - Rectilinear

10B SHIELDING

00 - Not included (Standard)

11 WIRING LENGTH

WL00 - Standard

12 FINISH

Standard Finishes

BLP, BZP, WHP, SAP, BLW, BZW, WHW, VER

Premium Finishes

CMG, SMG, RMG, AMG, TXF, BCM, BGE, WCP, OCP, HUG, ABP, BPP, SDS,

WIR, CAP, CRM, AQW, NBP

Other - RAL

RAL

Other - Custom Color

CUS

Brass Finishes

MAB, POB, MIT

NOTE: Not all configurations may be compatible with one another. Please configure the product for specific 2D, Photometry, Downloads, Spec Sheet and Compatible mountings and power supplies.

STEP STAR - Wall Recessed - Low Voltage - Lamp MR16 Gu5.3 - Round - Core Drill - Faceplate: Standard

Features



Lens factory adhered to fixture cap providing hermetically sealed optical compartment



Secured with flush, countersunk tamper resistant hardware



Machined solid billet faceplate provides unmatched strength and durability



Manufactured in the USA with sustainable processes



Water-tight anti-siphon plug prevents moisture ingress from wireways



Easily replaceable modular components reduce waste and extend fixture life

WARNING: This is a low voltage product. Please check "Mountings With A Power Supply" or "Power Supplies" to order remote transformer separately.

Technical

Driver: Low Voltage

Light Source (Type): Lamp MR16 Gu5.3

Material: Aluminum, Brass

CCT (K): 2700, 3000

CRI: 90

Delivered Lumens (lm): Array

Beam Angle (°): 10, 25, 36

Shape: Round

Mount: Core Drill

Style: Faceplate: Standard - Pattern A - 68° Angle - Round, Faceplate: Standard - Pattern B - 90° Angle - Round

Lens: Rectilinear

Shielding: Not included (Standard)

Wiring Length: Standard

Finish: Standard Finishes, Premium Finishes, Other - RAL, Other - Custom Color, Brass Finishes

Body: Unibody design with enclosed, water-proof wireway, integral heat sink, fully machined from solid billet, anti-condensation and corrosion vent equalizes fixture pressure and eliminates potential for damage to internal components.

Material Detail: Furnished in brass (360), Furnished in copper-free aluminum (6061-T6).

Aiming: Choice of 90° or 68° optical cutoff for mounting heights well below typical visual glare angles.

Light Source Detail: SORAA® LED lamp provided with fixture. Fixture does NOT include lamp if "00 - Not included" is selected for "07 - Light Source". Halogen lamp compatible. NOT for use with traditional Halogen IR technology lamps.

Hardware: Tamper-resistant, stainless steel hardware. Hardware is black oxide treated for additional corrosion resistance.

Sealing: 'O' Ring provides water-tight seal.

Finish Detail: Powder coat or metal finish options available for brass material, StarGuard, our 15-stage chromate-free process, cleans and conversion coats aluminum components prior to application of Class 'A' TGIC polyester powder coating. It is RoHS compliant.

Warranty: 5-year limited warranty.

STEP STAR - Wall Recessed - Low Voltage - Lamp MR16 Gu5.3 - Round - Core Drill - Faceplate: Standard

Finishes

STANDARD FINISHES



PREMIUM FINISHES



OTHER - RAL

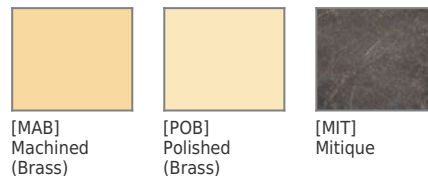


OTHER - CUSTOM COLOR



[CUS]
Custom Color

BRASS FINISHES



STEP STAR - Wall Recessed - Low Voltage - Lamp MR16 Gu5.3 - Round - Core Drill - Faceplate: Standard

Light Source

Light Source	Optic	Beam Angle	CCT (K)	CRI	R9	Input Power (W)	Delivered Lumens (Lm)	CBCP
359	NSP - Narrow Spot	10	2700	90	>50	7.5		8000
361	NFL - Narrow Flood	25	2700	90	>50	7.5		3170
362	MFL - Medium Flood	36	2700	90	>50	7.5		1550
363	NSP - Narrow Spot	10	3000	90	>50	7.5		8400
365	NFL - Narrow Flood	25	3000	90	>50	7.5		3300
366	MFL - Medium Flood	36	3000	90	>50	7.5		1650