

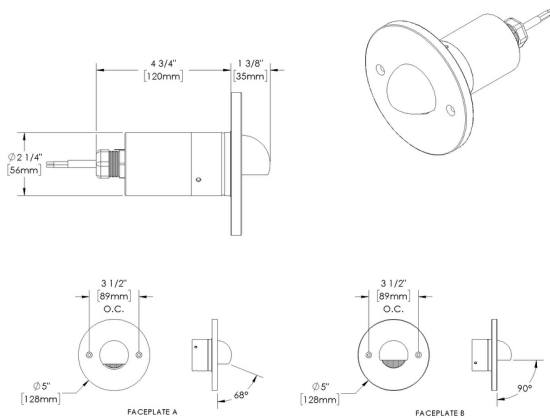
Discontinued



STEP STAR - Wall Recessed - Line Voltage - Lamp MR16 Gu10 - Round - Core Drill - Faceplate: Standard

DISCONTINUED

Downloads
2D (.dwg)
2D (.dxf)
BIM - Revit (.zip)
Installation Instructions (.pdf)



AMERICAN MADE + EMPLOYEE OWNED | 40429 Brickyard Drive, Madera, CA 93636 | +1 (559) 438-5800 | info@bklighting.com | bklighting.com

Copyright © B-K Lighting, Inc. This document contains proprietary information of B-K Lighting, inc. and its receipt or possession does not convey any rights to reproduce, disclose its contents, or to manufacture, use or sell anything it may describe.

Technical information is subject to change at the discretion of B-K Lighting Inc. For the most current technical data, please refer to bklighting.com

Discontinued



STEP STAR - Wall Recessed - Line Voltage - Lamp MR16 Gu10 - Round - Core Drill - Faceplate: Standard

Available Logic & Configurations

SS- **WR-** **LID-** **LAG10-** **___-** **RO-** **CD-** **___-**
01 02 03 04 05 06A 06B 06C

01 SERIES

SS - STEP STAR

02 CATEGORY

WR - Discontinued

03 DRIVER

LID - Line Voltage

04 LIGHT SOURCE (TYPE)

LAG10 - Lamp MR16 Gu10

05 MATERIAL

AL - Aluminum

BR - Brass

06A SHAPE

RO - Round

06B MOUNT

CD - Core Drill

06C STYLE

FSDA - Faceplate: Standard - Pattern A - 68° Angle - Round

FSDB - Faceplate: Standard - Pattern B - 90° Angle - Round

NOTE: Not all configurations may be compatible with one another. Please configure the product for specific 2D, Photometry, Downloads, Spec Sheet and Compatible mountings and power supplies.

Discontinued



STEP STAR - Wall Recessed - Line Voltage - Lamp MR16 Gu10 - Round - Core Drill - Faceplate: Standard

Features



Lens factory adhered to fixture cap providing hermetically sealed optical compartment



Secured with flush, countersunk tamper resistant hardware



BILLET

Machined solid billet faceplate provides unmatched strength and durability



Manufactured in the USA with sustainable processes



Water-tight anti-siphon plug prevents moisture ingress from wireways



Easily replaceable modular components reduce waste and extend fixture life

Technical

Delivered Lumens (lm): Array