

MINI STEP STAR - Wall Recessed - Low Voltage - LED High-Power - Round - Core Drill - Faceplate: Standard - Pattern B - Mini



IP66

Downloads

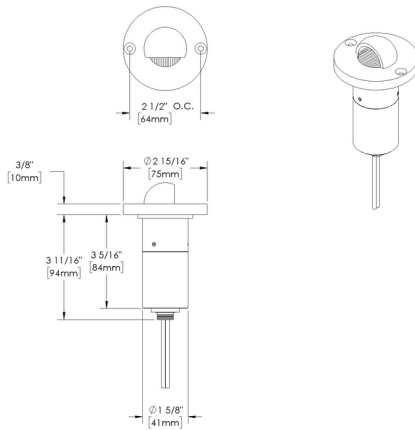
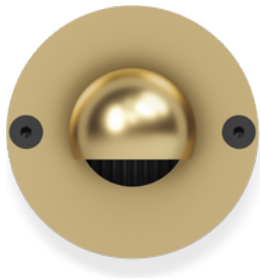
[Product Images \(.zip\)](#)

[Technical Drawing \(.zip\)](#)

[BIM - Revit \(.zip\)](#)

[Installation Instructions \(.pdf\)](#)

Product Variant Examples



MINI STEP STAR - Wall Recessed - Low Voltage - LED High-Power - Round - Core Drill - Faceplate: Standard - Pattern B - Mini

Available Logic & Configurations

SS- **WR-** **LOD-** **LHP-** **-** **RO-** **CD-** **FSDB-** **MIN-**
01 02 03 04 05 06A 06B 06C 06D

01 SERIES

SS - STEP STAR

02 CATEGORY

WR - Wall Recessed

03 DRIVER

LOD - Low Voltage

04 LIGHT SOURCE (TYPE)

LHP - LED High-Power

05 MATERIAL

AL - Aluminum

BR - Brass

SS - Stainless Steel

06A SHAPE

RO - Round

06B MOUNT

CD - Core Drill

06C STYLE

FSDB - Faceplate: Standard - Pattern B - 90° Angle - Round

06D VERSION

MIN - Mini

- **-** **-**
07 **11** **12**

07 LIGHT SOURCE

e67 - 2700K CRI80 - 7W (30 - 53 lm)

e68 - 3000K CRI80 - 7W (32 - 57 lm)

e69 - 4000K CRI80 - 7W (33 - 58 lm)

e75 - Amber - 7W

e82 - 2700K CRI90 - 7W

e83 - 3000K CRI90 - 7W

e84 - 3500K CRI80 - 7W

11 WIRING LENGTH

WL00 - Standard

WL25 - 25 Ft Leads

12 FINISH

Standard Finishes

BLP, BZP, WHP, SAP, BLW, BZW, WHW, VER

Premium Finishes

CMG, SMG, RMG, AMG, TXF, BCM, BGE, WCP, OCP, HUG, ABP, BPP, SDS,

WIR, CAP, CRM, AQW, NBP

Other - RAL

RAL

Other - Custom Color

CUS

Brass Finishes

MAB, POB, MIT

Stainless Steel Finishes

MAS, POS

NOTE: Not all configurations may be compatible with one another. Please configure the product for specific 2D, Photometry, Downloads, Spec Sheet and Compatible mountings and power supplies.

MINI STEP STAR - Wall Recessed - Low Voltage - LED High-Power - Round - Core Drill - Faceplate: Standard - Pattern B - Mini

Features



Lens factory adhered to fixture cap providing hermetically sealed optical compartment



Secured with flush, countersunk tamper resistant hardware



Machined solid billet faceplate provides unmatched strength and durability



Manufactured in the USA with sustainable processes



Water-tight anti-siphon plug prevents moisture ingress from wireways



Easily replaceable modular components reduce waste and extend fixture life

WARNING: This is a low voltage product. Please check "Mountings With A Power Supply" or "Power Supplies" to order remote transformer separately.

Technical

Driver: Low Voltage

Light Source (Type): LED High-Power

Material: Aluminum, Brass, Stainless Steel

Input Power (W): 7

Delivered Lumens (lm): Array

Shape: Round

Mount: Core Drill

Style: Faceplate: Standard - Pattern B - 90° Angle - Round

Version: Mini

Wiring Length: Standard, 25 Ft Leads

Finish: Standard Finishes, Premium Finishes, Other - RAL, Other - Custom Color, Brass Finishes, Stainless Steel Finishes

Body: Unibody design with enclosed, water-proof wireway, integral heat sink, fully machined from solid billet, anti-condensation and corrosion vent equalizes fixture pressure and eliminates potential for damage to internal components.

Material Detail: Furnished in stainless steel (304), Furnished in brass (360), Furnished in copper-free aluminum (6061-T6).

Aiming: 90° optical cutoff for mounting heights well below typical visual glare angles.

Light Source Detail: High power LEDs modular design with electrical disconnects.

Hardware: Tamper-resistant, stainless steel hardware. Hardware is black oxide treated for additional corrosion resistance.

Sealing: 'O' Ring provides water-tight seal., Anti-condensation and corrosion vent equalizes fixture pressure and eliminates potential for damage to internal components.

Finish Detail: Powder coat or metal finish options available for brass material., Metal finish option only for stainless steel material., StarGuard, our 15-stage chromate-free process, cleans and conversion coats aluminum components prior to application of Class 'A' TGIC polyester powder coating. It is RoHS compliant.

Warranty: 5-year limited warranty.

MINI STEP STAR - Wall Recessed - Low Voltage - LED

High-Power - Round - Core Drill - Faceplate: Standard - Pattern B - Mini

Finishes

STANDARD FINISHES



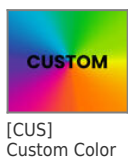
PREMIUM FINISHES



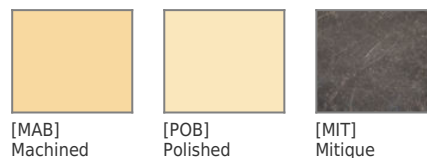
OTHER - RAL



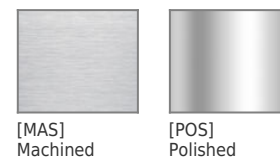
OTHER - CUSTOM COLOR



BRASS FINISHES



STAINLESS STEEL FINISHES



**MINI STEP STAR - Wall Recessed - Low Voltage - LED
High-Power - Round - Core Drill - Faceplate: Standard -
Pattern B - Mini**

(Brass)

(Brass)

(Stainless
Steel)

(Stainless
Steel)