

STEP STAR - Bollard - Line Voltage Via Transformer - LED High-Power - Faceplate: Standard

UPGRADED

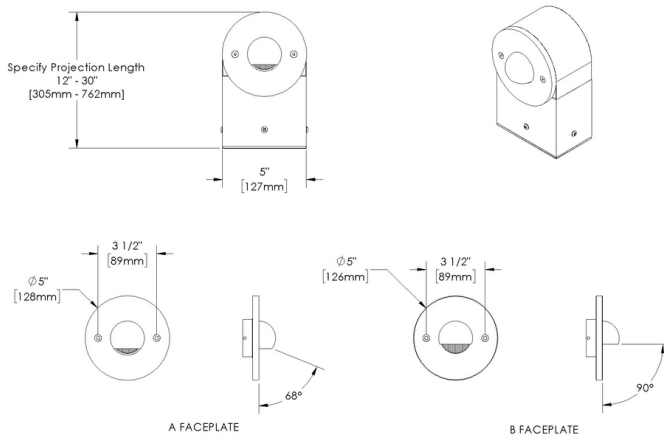
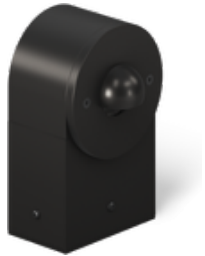


IP66

Downloads

- Product Images (.zip)
- Technical Drawing (.zip)
- 2D (.dwg)
- 2D (.dxf)
- IES Files (.zip)
- BIM - Revit (.zip)
- Installation Instructions (.pdf)

Product Variant Examples



STEP STAR - Bollard - Line Voltage Via Transformer - LED High-Power - Faceplate: Standard

Available Logic & Configurations

SS- 01 **BO-** 02 **LIT-** 03 **LHP-** 04 **AL-** 05 **RO-** 06A **-** 06B **-** 06C **-** 06F

01 SERIES

SS - STEP STAR

02 CATEGORY

BO - Bollard

03 DRIVER

LIT - Line Voltage Via Transformer

04 LIGHT SOURCE (TYPE)

LHP - LED High-Power

05 MATERIAL

AL - Aluminum

06A SHAPE

RO - Round

06B MOUNT

AB - Anchor Base

PI1-J18 - Pipe PI1 - 18" Junction Box

06C STYLE

FSDA - Faceplate: Standard - Pattern A - 68° Angle - Round

FSDB - Faceplate: Standard - Pattern B - 90° Angle - Round

06F SIZE

H08 - Height: 08"

H12 - Height: 12"

H18 - Height: 18"

H24 - Height: 24"

H30 - Height: 30"

- 07 **NON-** 09 **WL00-** 11 **-** 12

07 LIGHT SOURCE

e100 - 2700K CRI80 - 5W (26 - 60 lm)

e101 - 3000K CRI80 - 5W (26 - 61 lm)

e102 - 4000K CRI80 - 5W (29 - 68 lm)

e103 - Amber - 5W

e104 - 2700K CRI90 - 5W

e105 - 3000K CRI90 - 5W

e106 - 3500K CRI90 - 5W

09 CONTROL

NON - Non-dimming

11 WIRING LENGTH

WL00 - Standard

12 FINISH

Standard Finishes

BLP, BZP, WHP, SAP, BLW, BZW, WHW, VER

Premium Finishes

CMG, SMG, RMG, AMG, TXF, BCM, BGE, WCP, OCP, HUG, ABP, BPP, SDS, WIR, CAP, CRM, AQW, NBP

Other - RAL

RAL

Other - Custom Color

CUS

NOTE: Not all configurations may be compatible with one another. Please configure the product for specific 2D, Photometry, Downloads, Spec Sheet and Compatible mountings and power supplies.

STEP STAR - Bollard - Line Voltage Via Transformer - LED High-Power - Faceplate: Standard

Features



Internal optics with adjustable aim



Lens factory adhered to fixture cap providing hermetically sealed optical compartment



Secured with flush, countersunk tamper resistant hardware



Machined solid billet faceplate provides unmatched strength and durability



Manufactured in the USA with sustainable processes



Water-tight anti-siphon plug prevents moisture ingress from wireways



Easily replaceable modular components reduce waste and extend fixture life

Technical

Driver: Line Voltage Via Transformer

Light Source (Type): LED High-Power

Material: Aluminum

CCT (K): Amber, 2700, 3500, 3000, 4000

CRI: 80, 90

Input Power (W): 5

Delivered Lumens (lm): 26 - 68

Beam Angle (°): 68, 90

Control: Non-dimming

Shape: Round

Mount: Anchor Base, Pipe P11 - 18" Junction Box

Style: Faceplate: Standard - Pattern A - 68° Angle - Round, Faceplate: Standard - Pattern B - 90° Angle - Round

Size: Height: 08", Height: 12", Height: 18", Height: 24", Height: 30"

Wiring Length: Standard

Finish: Standard Finishes, Premium Finishes, Other - RAL, Other - Custom Color

Material Detail: Furnished in copper-free aluminum (6061-T6).

Aiming: Adjustable optical bracket provides up to 24° vertical aiming., Choice of 90° or 68° optical cutoff for mounting heights well below typical visual glare angles.

Light Source Detail: High power LEDs modular design with electrical disconnects.

Hardware: Tamper-resistant, stainless steel hardware. Hardware is black oxide treated for additional corrosion resistance., Tamper-resistant, stainless steel hardware.

Sealing: Concealed, single piece high temperature closed cell silicone gasket between faceplate and housing.

Note: Transformer included., Stability Flange included., Adjust-e-Lume, an LED board feature, allows for dynamic lumen response at the individual fixture. Indexed (100% to 25% nom.) lumen output. Maintains output at desired level or may be changed (A9 to A1). Standard preset from the factory is A9 (100%).

Finish Detail: StarGuard, our 15-stage chromate-free process, cleans and conversion coats aluminum components prior to application of Class 'A' TGIC polyester powder coating. It is RoHS compliant.

Warranty: 5-year limited warranty.

STEP STAR - Bollard - Line Voltage Via Transformer - LED High-Power - Faceplate: Standard

Finishes

STANDARD FINISHES



PREMIUM FINISHES



OTHER - RAL



OTHER - CUSTOM COLOR



STEP STAR - Bollard - Line Voltage Via Transformer - LED High-Power - Faceplate: Standard

Light Source

Light Source	Optic	Beam Angle	CCT (K)	CRI	R9	Input Power (W)	Delivered Lumens (Lm)	CBCP
e100	-	68	2700	80	>15	5	26	
e101	-	68	3000	80	>15	5	26	
e102	-	68	4000	80	>15	5	29	
e103	-	68	Amber			5		
e104	-	68	2700	90	>50	5		
e105	-	68	3000	90	>50	5		
e106	-	68	3500	80	>15	5		
e100	-	90	2700	80	>15	5	60	
e101	-	90	3000	80	>15	5	61	
e102	-	90	4000	80	>15	5	68	
e103	-	90	Amber			5		
e104	-	90	2700	90	>50	5		
e105	-	90	3000	90	>50	5		
e106	-	90	3500	80	>15	5		