

STEP STAR - Bollard - Low Voltage - LED High-Power - Faceplate: Standard

UPGRADED

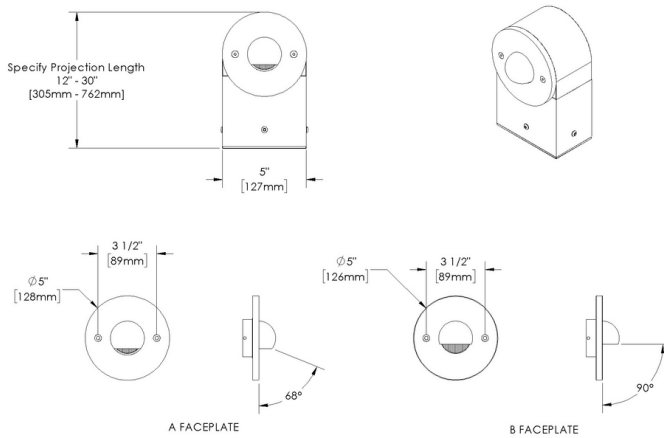
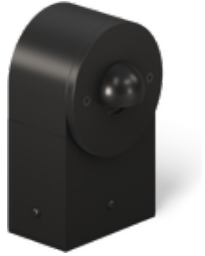


IP66

Downloads

- Product Images (.zip)
- Technical Drawing (.zip)
- 2D (.dwg)
- 2D (.dxf)
- IES Files (.zip)
- BIM - Revit (.zip)
- Installation Instructions (.pdf)

Product Variant Examples



STEP STAR - Bollard - Low Voltage - LED High-Power - Faceplate: Standard

Available Logic & Configurations

SS- **BO-** **LOD-** **LHP-** **AL-** **RO-** **-** **-** **-**
 01 02 03 04 05 06A 06B 06C 06F

- 01 SERIES**
SS - STEP STAR
- 02 CATEGORY**
BO - Bollard
- 03 DRIVER**
LOD - Low Voltage
- 04 LIGHT SOURCE (TYPE)**
LHP - LED High-Power

- 05 MATERIAL**
AL - Aluminum
- 06A SHAPE**
RO - Round
- 06B MOUNT**
AB - Anchor Base
PI1-S18 - Pipe PI1 - 18" Stake
- 06C STYLE**
FSDA - Faceplate: Standard - Pattern A - 68° Angle - Round
FSDB - Faceplate: Standard - Pattern B - 90° Angle - Round
- 06F SIZE**
H08 - Height: 08"
H12 - Height: 12"
H18 - Height: 18"
H24 - Height: 24"
H30 - Height: 30"

- **WL00-** **-**
 07 11 12

- 07 LIGHT SOURCE**
e100 - 2700K CRI80 - 5W (26 - 60 lm)
e101 - 3000K CRI80 - 5W (26 - 61 lm)
e102 - 4000K CRI80 - 5W (29 - 68 lm)
e103 - Amber - 5W
e104 - 2700K CRI90 - 5W
e105 - 3000K CRI90 - 5W
e106 - 3500K CRI90 - 5W

- 11 WIRING LENGTH**
WL00 - Standard
- 12 FINISH**
Standard Finishes
BLP, BZP, WHP, SAP, BLW, BZW, WHW, VER
Premium Finishes
CMG, SMG, RMG, AMG, TXF, BCM, BGE, WCP, OCP, HUG, ABP, BPP, SDS,
WIR, CAP, CRM, AQW, NBP
Other - RAL
RAL
Other - Custom Color
CUS

NOTE: Not all configurations may be compatible with one another. Please configure the product for specific 2D, Photometry, Downloads, Spec Sheet and Compatible mountings and power supplies.

STEP STAR - Bollard - Low Voltage - LED High-Power - Faceplate: Standard

Features



Internal optics with adjustable aim



Lens factory adhered to fixture cap providing hermetically sealed optical compartment



Secured with flush, countersunk tamper resistant hardware



Machined solid billet faceplate provides unmatched strength and durability



Manufactured in the USA with sustainable processes



Water-tight anti-siphon plug prevents moisture ingress from wireways



Easily replaceable modular components reduce waste and extend fixture life

WARNING: This is a low voltage product. Please check "Mountings With A Power Supply" or "Power Supplies" to order remote transformer separately.

Technical

Driver: Low Voltage

Light Source (Type): LED High-Power

Material: Aluminum

CCT (K): Amber, 2700, 3500, 3000, 4000

CRI: 80, 90

Input Power (W): 5

Delivered Lumens (lm): 26 - 68

Beam Angle (°): 68, 90

Shape: Round

Mount: Anchor Base, Pipe P11 - 18" Stake

Style: Faceplate: Standard - Pattern A - 68° Angle - Round, Faceplate: Standard - Pattern B - 90° Angle - Round

Size: Height: 08", Height: 12", Height: 18", Height: 24", Height: 30"

Wiring Length: Standard

Finish: Standard Finishes, Premium Finishes, Other - RAL, Other - Custom Color

Material Detail: Furnished in copper-free aluminum (6061-T6).

Aiming: Adjustable optical bracket provides up to 24° vertical aiming., Choice of 90° or 68° optical cutoff for mounting heights well below typical visual glare angles.

Light Source Detail: High power LEDs modular design with electrical disconnects.

Hardware: Tamper-resistant, stainless steel hardware. Hardware is black oxide treated for additional corrosion resistance., Tamper-resistant, stainless steel hardware.

Sealing: Concealed, single piece high temperature closed cell silicone gasket between faceplate and housing.

Note: Stability Flange included., Adjust-e-Lume, an LED board feature, allows for dynamic lumen response at the individual fixture. Indexed (100% to 25% nom.) lumen output. Maintains output at desired level or may be changed (A9 to A1). Standard preset from the factory is A9 (100%).

Finish Detail: StarGuard, our 15-stage chromate-free process, cleans and conversion coats aluminum components prior to application of Class 'A' TGIC polyester powder coating. It is RoHS compliant.

Warranty: 5-year limited warranty.

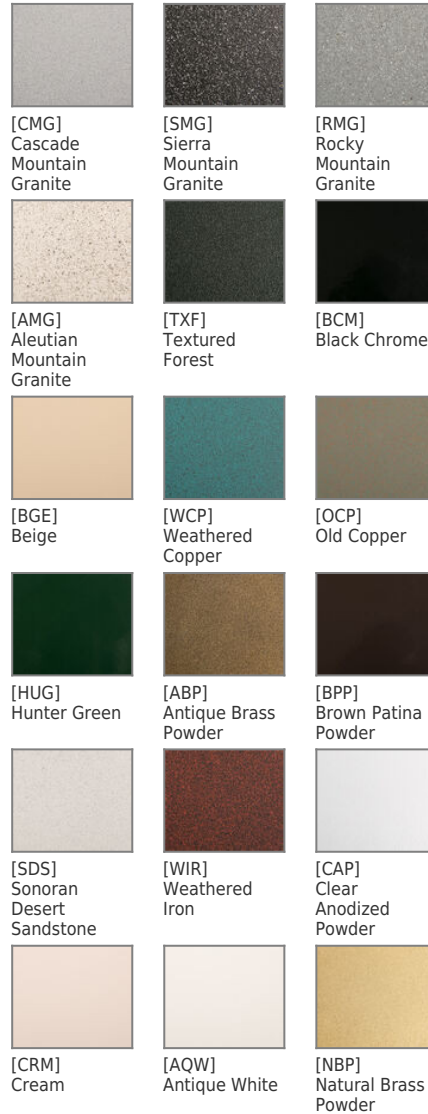
STEP STAR - Bollard - Low Voltage - LED High-Power - Faceplate: Standard

Finishes

STANDARD FINISHES



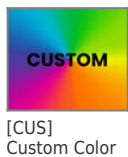
PREMIUM FINISHES



OTHER - RAL



OTHER - CUSTOM COLOR



STEP STAR - Bollard - Low Voltage - LED High-Power - Faceplate: Standard

Light Source

Light Source	Optic	Beam Angle	CCT (K)	CRI	R9	Input Power (W)	Delivered Lumens (Lm)	CBCP
e100	-	68	2700	80	>15	5	26	
e101	-	68	3000	80	>15	5	26	
e102	-	68	4000	80	>15	5	29	
e103	-	68	Amber			5		
e104	-	68	2700	90	>50	5		
e105	-	68	3000	90	>50	5		
e106	-	68	3500	80	>15	5		
e100	-	90	2700	80	>15	5	60	
e101	-	90	3000	80	>15	5	61	
e102	-	90	4000	80	>15	5	68	
e103	-	90	Amber			5		
e104	-	90	2700	90	>50	5		
e105	-	90	3000	90	>50	5		
e106	-	90	3500	80	>15	5		