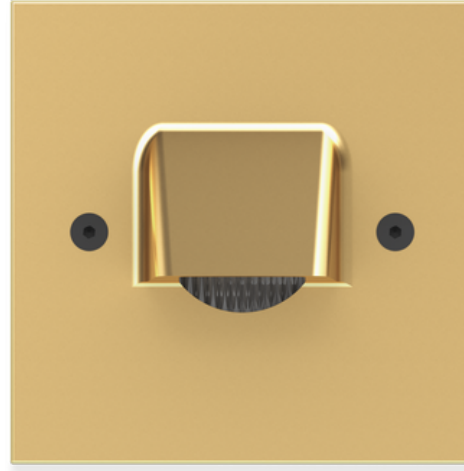


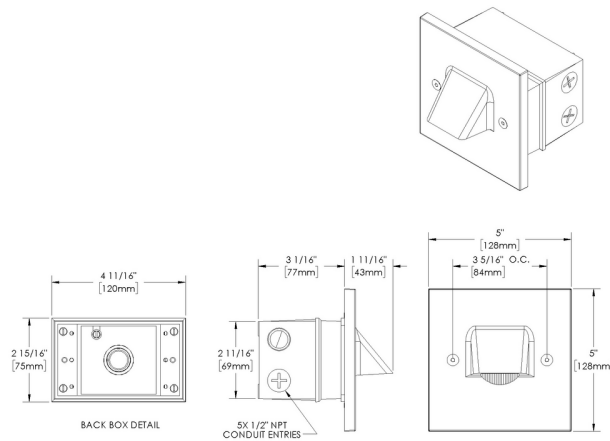
# STEP STAR - Wall Recessed - Low Voltage - LED High-Power - Square - Junction Box - Faceplate: Visor



**Downloads**

- Product Images (.zip)
- Technical Drawing (.zip)
- 2D (.dwg)
- 2D (.dxf)
- IES Files (.zip)
- BIM - Revit (.zip)
- Installation Instructions (.pdf)

**Product Variant Examples**



# STEP STAR - Wall Recessed - Low Voltage - LED High-Power - Square - Junction Box - Faceplate: Visor

## Available Logic & Configurations

**SS-** 01   **WR-** 02   **LOD-** 03   **LHP-** 04   **-** 05   **SQ-** 06A   **JB-** 06B   **FVR-** 06C

**01 SERIES**

**SS** - STEP STAR

**02 CATEGORY**

**WR** - Wall Recessed

**03 DRIVER**

**LOD** - Low Voltage

**04 LIGHT SOURCE (TYPE)**

**LHP** - LED High-Power

**-** 07   **WL00-** 11   **-** 12

**07 LIGHT SOURCE**

- e100** - 2700K CRI80 - 5W (26 - 60 lm)
- e101** - 3000K CRI80 - 5W (26 - 61 lm)
- e102** - 4000K CRI80 - 5W (29 - 68 lm)
- e103** - Amber - 5W
- e104** - 2700K CRI90 - 5W
- e105** - 3000K CRI90 - 5W
- e106** - 3500K CRI90 - 5W

**05 MATERIAL**

**AL** - Aluminum

**BR** - Brass

**06A SHAPE**

**SQ** - Square

**06B MOUNT**

**JB** - Junction Box

**06C STYLE**

**FVR** - Faceplate: Visor

**11 WIRING LENGTH**

**WL00** - Standard

**12 FINISH**

Standard Finishes

**BLP, BZP, WHP, SAP, BLW, BZW, WHW, VER**

Premium Finishes

**CMG, SMG, RMG, AMG, TXF, BCM, BGE, WCP, OCP, HUG, ABP, BPP, SDS,**

**WIR, CAP, CRM, AQW, NBP**

Other - RAL

**RAL**

Other - Custom Color

**CUS**

Brass Finishes

**MAB, POB, MIT**

**NOTE:** Not all configurations may be compatible with one another. Please configure the product for specific 2D, Photometry, Downloads, Spec Sheet and Compatible mountings and power supplies.

# STEP STAR - Wall Recessed - Low Voltage - LED High-Power - Square - Junction Box - Faceplate: Visor

## Features



Lens factory adhered to fixture cap providing hermetically sealed optical compartment



Secured with flush, countersunk tamper resistant hardware



Machined solid billet faceplate provides unmatched strength and durability



Manufactured in the USA with sustainable processes



Water-tight anti-siphon plug prevents moisture ingress from wireways



Easily replaceable modular components reduce waste and extend fixture life

**WARNING: This is a low voltage product. Please check "Mountings With A Power Supply" or "Power Supplies" to order remote transformer separately.**

## Technical

**Driver:** Low Voltage

**Light Source (Type):** LED High-Power

**Material:** Aluminum, Brass

**CCT (K):** Amber, 2700, 3500, 3000, 4000

**CRI:** 80, 90

**Input Power (W):** 5

**Delivered Lumens (lm):** 44 - 50

**Shape:** Square

**Mount:** Junction Box

**Style:** Faceplate: Visor

**Wiring Length:** Standard

**Finish:** Standard Finishes, Premium Finishes, Other - RAL, Other - Custom Color, Brass Finishes

**Material Detail:** Furnished in brass (360), Furnished in copper-free aluminum (6061-T6).

**Aiming:** Adjustable optical bracket provides up to 24° vertical aiming.

**Light Source Detail:** High power LEDs modular design with electrical disconnects.

**Hardware:** Tamper-resistant, stainless steel hardware. Hardware is black oxide treated for additional corrosion resistance.

**Sealing:** 'O' Ring provides water-tight seal.

**Note:** Adjust-e-Lume, an LED board feature, allows for dynamic lumen response at the individual fixture. Indexed (100% to 25% nom.) lumen output. Maintains output at desired level or may be changed (A9 to A1). Standard preset from the factory is A9 (100%).

**Finish Detail:** Powder coat or metal finish options available for brass material., StarGuard, our 15-stage chromate-free process, cleans and conversion coats aluminum components prior to application of Class 'A' TGIC polyester powder coating. It is RoHS compliant.

**Warranty:** 5-year limited warranty.

# STEP STAR - Wall Recessed - Low Voltage - LED High-Power - Square - Junction Box - Faceplate: Visor

## Finishes

### STANDARD FINISHES



### PREMIUM FINISHES



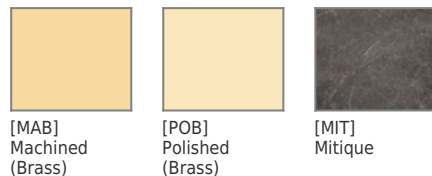
### OTHER - RAL



### OTHER - CUSTOM COLOR



### BRASS FINISHES



# STEP STAR - Wall Recessed - Low Voltage - LED High-Power - Square - Junction Box - Faceplate: Visor

## Light Source

Light Source	Optic	Beam Angle	CCT (K)	CRI	R9	Input Power (W)	Delivered Lumens (Lm)	CBCP
e100	-		2700	80	>15	5	44	
e101	-		3000	80	>15	5	45	
e102	-		4000	80	>15	5	50	
e103	-		Amber			5		
e104	-		2700	90	>50	5		
e105	-		3000	90	>50	5		
e106	-		3500	80	>15	5		