

STEP STAR - Bollard - Line Voltage Via Transformer - Lamp MR16 Gu5.3 - Faceplate: Louvered

UPGRADED



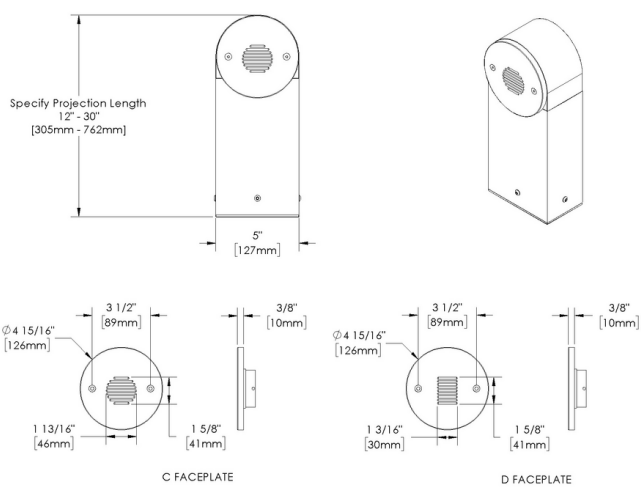
IP66



Downloads

- Product Images (.zip)
- Technical Drawing (.zip)
- 2D (.dwg)
- 2D (.dxf)
- BIM - Revit (.zip)
- Installation Instructions (.pdf)

Product Variant Examples



STEP STAR - Bollard - Line Voltage Via Transformer - Lamp MR16 Gu5.3 - Faceplate: Louvered

Available Logic & Configurations

SS- 01	BO- 02	LIT- 03	LAM16- 04	AL- 05	RO- 06A	___- 06B	FLDC- 06C	___- 06E	___- 06F
01 SERIES SS - STEP STAR 02 CATEGORY BO - Bollard 03 DRIVER LIT - Line Voltage Via Transformer 04 LIGHT SOURCE (TYPE) LAM16 - Lamp MR16 Gu5.3				05 MATERIAL AL - Aluminum 06A SHAPE RO - Round 06B MOUNT AB - Anchor Base P11-J18 - Pipe P11 - 18" Junction Box 06C STYLE FLDC - Faceplate: Louvered - Pattern C - 30° Angle - Round 06E INPUT VOLTAGE 120 - 120V 277 - 277V 06F SIZE H08 - Height: 08" H12 - Height: 12" H18 - Height: 18" H24 - Height: 24" H30 - Height: 30"					
___- 07	ELV- 09	13- 10A	00- 10B	WL00- 11	___- 12				
07 LIGHT SOURCE 00 - Not included 359 - 2700K CRI90 - 7.5W - 10° 361 - 2700K CRI90 - 7.5W - 25° 362 - 2700K CRI90 - 7.5W - 36° 363 - 3000K CRI90 - 7.5W - 10° 365 - 3000K CRI90 - 7.5W - 25° 366 - 3000K CRI90 - 7.5W - 36°						09 CONTROL ELV - ELV Dimming (For use with Electronic Low Voltage Dimmer. 120V only.) 10A LENS 13 - Rectilinear 10B SHIELDING 00 - Not included (Standard) 11 WIRING LENGTH WL00 - Standard 12 FINISH Standard Finishes BLP, BZP, WHP, SAP, BLW, BZW, WHW, VER Premium Finishes CMG, SMG, RMG, AMG, TXF, BCM, BGE, WCP, OCP, HUG, ABP, BPP, SDS, WIR, CAP, CRM, AQW, NBP Other - RAL RAL Other - Custom Color CUS			

NOTE: Not all configurations may be compatible with one another. Please configure the product for specific 2D, Photometry, Downloads, Spec Sheet and Compatible mountings and power supplies.

STEP STAR - Bollard - Line Voltage Via Transformer - Lamp MR16 Gu5.3 - Faceplate: Louvered

Features



Internal optics with adjustable aim



Lens factory adhered to fixture cap providing hermetically sealed optical compartment



Secured with flush, countersunk tamper resistant hardware



Machined solid billet faceplate provides unmatched strength and durability



Manufactured in the USA with sustainable processes



Water-tight anti-siphon plug prevents moisture ingress from wireways



Easily replaceable modular components reduce waste and extend fixture life

Technical

Driver: Line Voltage Via Transformer

Light Source (Type): Lamp MR16 Gu5.3

Material: Aluminum

CCT (K): 2700, 3000

CRI: 90

Delivered Lumens (lm): Array

Beam Angle (°): 10, 25, 36

Control: ELV Dimming (For use with Electronic Low Voltage Dimmer. 120V only.)

Shape: Round

Mount: Anchor Base, Pipe P11 - 18" Junction Box

Style: Faceplate: Louvered - Pattern C - 30° Angle - Round

Input Voltage: 120V, 277V

Size: Height: 08", Height: 12", Height: 18", Height: 24", Height: 30"

Lens: Rectilinear

Shielding: Not included (Standard)

Wiring Length: Standard

Finish: Standard Finishes, Premium Finishes, Other - RAL, Other - Custom Color

Body: Unibody design, with enclosed, water-proof wireway and integral heat sink, fully machined from solid billet.

Material Detail: Furnished in copper-free aluminum (6061-T6).

Aiming: Adjustable optical bracket provides up to 24° vertical aiming., Louver pattern is machined into faceplate to prevent direct view to the source at nadir. 30° optical cutoff for mounting heights well below typical visual glare angles., Choice of 90° or 68° optical cutoff for mounting heights well below typical visual glare angles.

Light Source Detail: SORAA® LED lamp provided with fixture. Fixture does NOT include lamp if "00 - Not included" is selected for "07 - Light Source". Halogen lamp compatible. NOT for use with traditional Halogen IR technology lamps.

Hardware: Tamper-resistant, stainless steel hardware. Hardware is black oxide treated for additional corrosion resistance.

Sealing: Concealed, single piece high temperature closed cell silicone gasket between faceplate and housing.

Note: Transformer included., Stability Flange included.

Finish Detail: StarGuard, our 15-stage chromate-free process, cleans and conversion coats aluminum components prior to application of Class 'A' TGIC polyester powder coating. It is RoHS compliant.

Warranty: 5-year limited warranty.

STEP STAR - Bollard - Line Voltage Via Transformer - Lamp MR16 Gu5.3 - Faceplate: Louvered

Finishes

STANDARD FINISHES

 [BLP] Satin Black	 [BZP] Satin Bronze	 [WHP] Satin White
 [SAP] Satin Aluminum	 [BLW] Black Wrinkle	 [BZW] Bronze Wrinkle
 [WHW] White Wrinkle	 [VER] Verde	

PREMIUM FINISHES

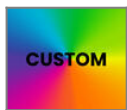
 [CMG] Cascade Mountain Granite	 [SMG] Sierra Mountain Granite	 [RMG] Rocky Mountain Granite
 [AMG] Aleutian Mountain Granite	 [TXF] Textured Forest	 [BCM] Black Chrome
 [BGE] Beige	 [WCP] Weathered Copper	 [OCP] Old Copper
 [HUG] Hunter Green	 [ABP] Antique Brass Powder	 [BPP] Brown Patina Powder
 [SDS] Sonoran Desert Sandstone	 [WIR] Weathered Iron	 [CAP] Clear Anodized Powder
 [CRM] Cream	 [AQW] Antique White	 [NBP] Natural Brass Powder

OTHER - RAL



[RAL]
RAL Color

OTHER - CUSTOM COLOR



[CUS]
Custom Color

STEP STAR - Bollard - Line Voltage Via Transformer - Lamp MR16 Gu5.3 - Faceplate: Louvered

Light Source

Light Source	Optic	Beam Angle	CCT (K)	CRI	R9	Input Power (W)	Delivered Lumens (Lm)	CBCP
359	NSP - Narrow Spot	10	2700	90	>50	7.5		8000
361	NFL - Narrow Flood	25	2700	90	>50	7.5		3170
362	MFL - Medium Flood	36	2700	90	>50	7.5		1550
363	NSP - Narrow Spot	10	3000	90	>50	7.5		8400
365	NFL - Narrow Flood	25	3000	90	>50	7.5		3300
366	MFL - Medium Flood	36	3000	90	>50	7.5		1650