

MINI VERSA STAR - Ceiling Recessed - Low Voltage - LED High-Power - Round - Core Drill - Mini

UPGRADED

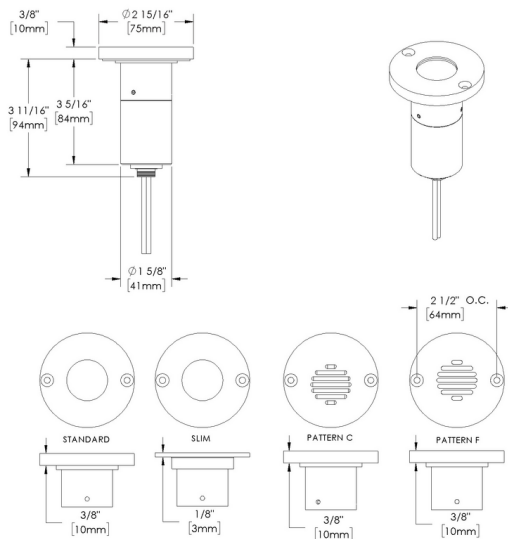


IP66

Downloads

- Product Images (.zip)
- Technical Drawing (.zip)
- 2D (.dwg)
- 2D (.dxf)
- IES Files (.zip)
- BIM - Revit (.zip)
- Installation Instructions (.pdf)

Product Variant Examples



MINI VERSA STAR - Ceiling Recessed - Low Voltage - LED High-Power - Round - Core Drill - Mini

Available Logic & Configurations

VS- 01 **CR-** 02 **LOD-** 03 **LHP-** 04 **___-** 05 **RO-** 06A **CD-** 06B **___-** 06C **MIN-** 06D

01 SERIES

VS - VERSA STAR

02 CATEGORY

CR - Ceiling Recessed

03 DRIVER

LOD - Low Voltage

04 LIGHT SOURCE (TYPE)

LHP - LED High-Power

05 MATERIAL

AL - Aluminum

BR - Brass

SS - Stainless Steel

06A SHAPE

RO - Round

06B MOUNT

CD - Core Drill

06C STYLE

FLDC - Faceplate: Louvered - Pattern C - 30° Angle - Round

FLDF - Faceplate: Louvered - Pattern F - 0° Angle - Round

FSD - Faceplate: Standard

FSL - Faceplate: Slim

06D VERSION

MIN - Mini

___- 07 **___-** 08 **___-** 10A **___-** 10B **___-** 11 **___-** 12

07 LIGHT SOURCE

e67 - 2700K CRI80 - 7W

e68 - 3000K CRI80 - 7W

e69 - 4000K CRI80 - 7W

e75 - Amber - 7W

e82 - 2700K CRI90 - 7W

e83 - 3000K CRI90 - 7W

e84 - 3500K CRI80 - 7W

08 OPTIC

SP - Spot (17°)

NFL - Narrow Flood (25°)

MFL - Medium Flood (30°)

10A LENS

12 - Soft Focus

13 - Rectilinear

10B SHIELDING

00 - Not included (Standard)

11 - Honeycomb Baffle

11 WIRING LENGTH

WL00 - Standard

WL25 - 25 Ft Leads

12 FINISH

Standard Finishes

BLP, BZP, WHP, SAP, BLW, BZW, WHW, VER

Premium Finishes

CMG, SMG, RMG, AMG, TXF, BCM, BGE, WCP, OCP, HUG, ABP, BPP, SDS,

WIR, CAP, CRM, AQW, NBP

Other - RAL

RAL

Other - Custom Color

CUS

Brass Finishes

MAB, POB, MIT

Stainless Steel Finishes

MAS, POS

NOTE: Not all configurations may be compatible with one another. Please configure the product for specific 2D, Photometry, Downloads, Spec Sheet and Compatible mountings and power supplies.

MINI VERSA STAR - Ceiling Recessed - Low Voltage - LED High-Power - Round - Core Drill - Mini

Features



Anti-condensation vent allows moisture to exit the fixture but never enter in



Lens factory adhered to fixture cap providing hermetically sealed optical compartment



Secured with flush, countersunk tamper resistant hardware



Machined solid billet faceplate provides unmatched strength and durability



Manufactured in the USA with sustainable processes



Water-tight anti-siphon plug prevents moisture ingress from wireways



Easily replaceable modular components reduce waste and extend fixture life



Solid billet fixture body provides unmatched durability and heat management

WARNING: This is a low voltage product. Please check "Mountings With A Power Supply" or "Power Supplies" to order remote transformer separately.

Technical

Driver: Low Voltage

Light Source (Type): LED High-Power

Material: Aluminum, Brass, Stainless Steel

CCT (K): Amber, 2700, 3500, 3000, 4000

CRI: 80, 90

Input Power (W): 7

Delivered Lumens (lm): Array

Beam Angle (°): 17, 25, 30

Shape: Round

Mount: Core Drill

Style: Faceplate: Standard, Faceplate: Slim, Faceplate: Louvered - Pattern C - 30° Angle - Round, Faceplate: Louvered - Pattern F - 0° Angle - Round

Version: Mini

Lens: Soft Focus, Rectilinear

Shielding: Not included (Standard), Honeycomb Baffle

Wiring Length: Standard

Finish: Standard Finishes, Premium Finishes, Other - RAL, Other - Custom Color, Brass Finishes, Stainless Steel Finishes

Body: Unibody design, with enclosed, water-proof wireway and integral heat sink, fully machined from solid billet., Unibody design with enclosed, water-proof wireway, integral heat sink, fully machined from solid billet, anti-condensation and corrosion vent equalizes fixture pressure and eliminates potential for damage to internal components.

Material Detail: Furnished in stainless steel (304)., Furnished in brass (360)., Furnished in copper-free aluminum (6061-T6).

Light Source Detail: High power LEDs modular design with electrical disconnects.

Optics: Interchangeable optics permit changes in the field.

Hardware: Tamper-resistant, stainless steel hardware.

Sealing: 'O' Ring provides water-tight seal., 1/8" thick HT-805A silicone foam gasket with acrylic adhesive for water-tight seal.

Finish Detail: Powder coat or metal finish options available for brass material., Metal finish option only for stainless steel material., StarGuard, our 15-stage chromate-free process, cleans and conversion coats aluminum components prior to application of Class 'A' TGIC polyester powder coating. It is RoHS compliant.

Warranty: 5-year limited warranty.

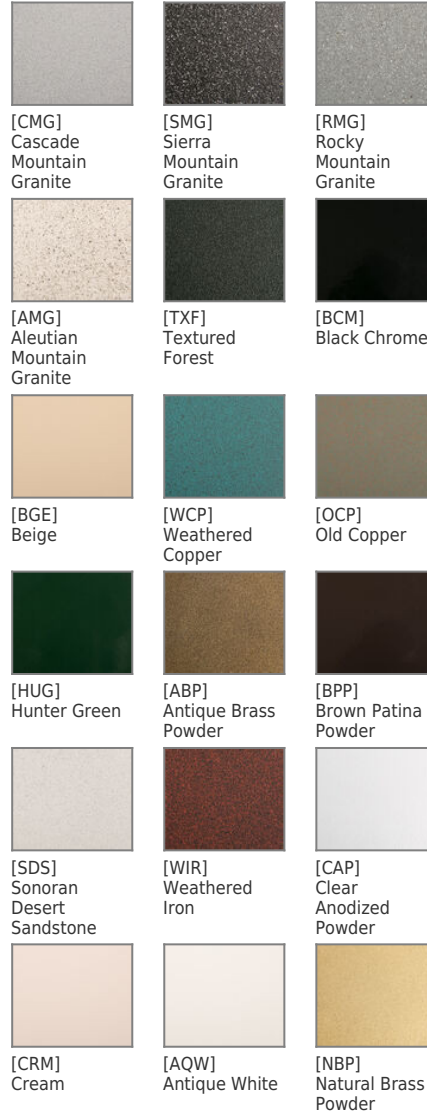
MINI VERSA STAR - Ceiling Recessed - Low Voltage - LED High-Power - Round - Core Drill - Mini

Finishes

STANDARD FINISHES



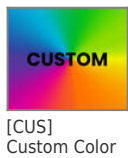
PREMIUM FINISHES



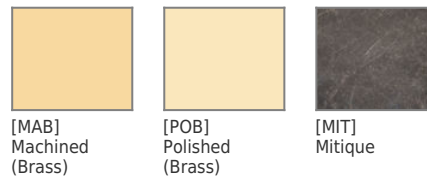
OTHER - RAL



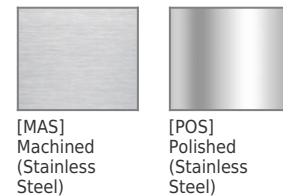
OTHER - CUSTOM COLOR



BRASS FINISHES



STAINLESS STEEL FINISHES



MINI VERSA STAR - Ceiling Recessed - Low Voltage - LED High-Power - Round - Core Drill - Mini

Light Source

Light Source	Optic	Beam Angle	CCT (K)	CRI	R9	Input Power (W)	Delivered Lumens (Lm)	CBCP
e67	SP - Spot	17	2700	80	>15	7		
e67	NFL - Narrow Flood	25	2700	80	>15	7		
e67	MFL - Medium Flood	30	2700	80	>15	7		
e68	SP - Spot	17	3000	80	>15	7		
e68	NFL - Narrow Flood	25	3000	80	>15	7		
e68	MFL - Medium Flood	30	3000	80	>15	7		
e69	SP - Spot	17	4000	80	>15	7		
e69	NFL - Narrow Flood	25	4000	80	>15	7		
e69	MFL - Medium Flood	30	4000	80	>15	7		
e75	SP - Spot	17	Amber			7		
e75	NFL - Narrow Flood	25	Amber			7		
e75	MFL - Medium Flood	30	Amber			7		
e82	SP - Spot	17	2700	90	>50	7		
e82	NFL - Narrow Flood	25	2700	90	>50	7		
e82	MFL - Medium Flood	30	2700	90	>50	7		
e83	SP - Spot	17	3000	90	>50	7		
e83	NFL - Narrow Flood	25	3000	90	>50	7		
e83	MFL - Medium Flood	30	3000	90	>50	7		
e84	SP - Spot	17	3500	80	>15	7		
e84	NFL - Narrow Flood	25	3500	80	>15	7		
e84	MFL - Medium Flood	30	3500	80	>15	7		