

VERSA STAR - Ceiling Recessed - Low Voltage - LED High-Power - Square - Core Drill - Faceplate: Standard

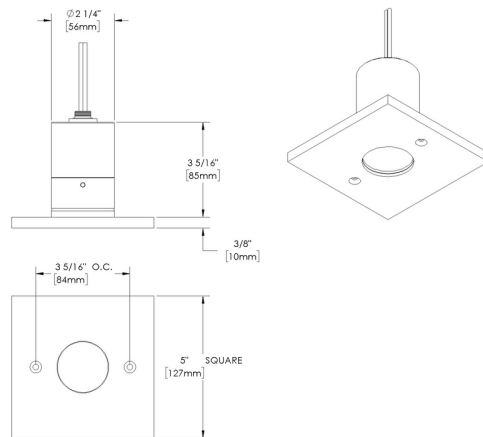
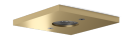
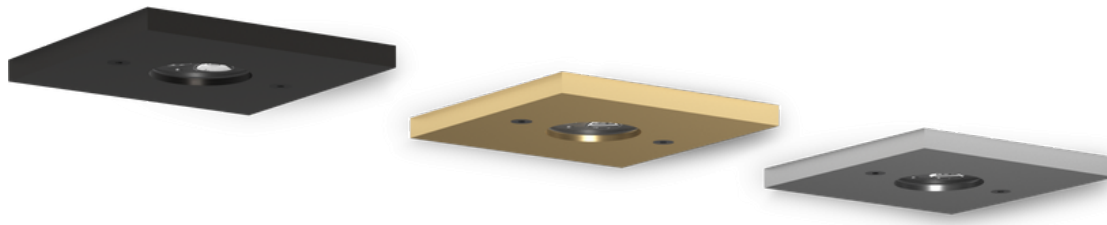
UPGRADED



Downloads

- Product Images (.zip)
- Technical Drawing (.zip)
- 2D (.dwg)
- 2D (.dxf)
- IES Files (.zip)
- BIM - Revit (.zip)
- Installation Instructions (.pdf)

Product Variant Examples



VERSA STAR - Ceiling Recessed - Low Voltage - LED High-Power - Square - Core Drill - Faceplate: Standard

Available Logic & Configurations

VS- 01 **CR-** 02 **LOD-** 03 **LHP-** 04 **-** 05 **SQ-** 06A **CD-** 06B **FSD-** 06C

01 SERIES

VS - VERSA STAR

02 CATEGORY

CR - Ceiling Recessed

03 DRIVER

LOD - Low Voltage

04 LIGHT SOURCE (TYPE)

LHP - LED High-Power

- 07 **-** 08 **-** 10A **-** 10B **-** 11 **-** 12

07 LIGHT SOURCE

- e64** - 2700K CRI80 - 7W
- e65** - 3000K CRI80 - 7W
- e66** - 4000K CRI80 - 7W
- e74** - Amber - 7W
- e79** - 2700K CRI90 - 7W
- e80** - 3000K CRI90 - 7W
- e81** - 3500K CRI80 - 7W

08 OPTIC

- NSP** - Narrow Spot (13°)
- SP** - Spot (16°)
- SP2** - Spot (23°)
- MFL** - Medium Flood (31°)

05 MATERIAL

- AL** - Aluminum
- BR** - Brass
- SS** - Stainless Steel

06A SHAPE

SQ - Square

06B MOUNT

CD - Core Drill

06C STYLE

FSD - Faceplate: Standard

10A LENS

- 12** - Soft Focus
- 13** - Rectilinear

10B SHIELDING

- 00** - Not included (Standard)
- 11** - Honeycomb Baffle

11 WIRING LENGTH

- WL00** - Standard
- WL25** - 25 Ft Leads

12 FINISH

- Standard Finishes
BLP, BZP, WHP, SAP, BLW, BZW, WHW, VER
- Premium Finishes
CMG, SMG, RMG, AMG, TXF, BCM, BGE, WCP, OCP, HUG, ABP, BPP, SDS,
- Other - RAL
RAL
- Other - Custom Color
CUS
- Brass Finishes
MAB, POB, MIT
- Stainless Steel Finishes
MAS, POS

NOTE: Not all configurations may be compatible with one another. Please configure the product for specific 2D, Photometry, Downloads, Spec Sheet and Compatible mountings and power supplies.

VERSA STAR - Ceiling Recessed - Low Voltage - LED High-Power - Square - Core Drill - Faceplate: Standard

Features



Anti-condensation vent allows moisture to exit the fixture but never enter in



Lens factory adhered to fixture cap providing hermetically sealed optical compartment



Secured with flush, countersunk tamper resistant hardware



Machined solid billet faceplate provides unmatched strength and durability



Manufactured in the USA with sustainable processes



Water-tight anti-siphon plug prevents moisture ingress from wireways



Easily replaceable modular components reduce waste and extend fixture life



Solid billet fixture body provides unmatched durability and heat management

WARNING: This is a low voltage product. Please check "Mountings With A Power Supply" or "Power Supplies" to order remote transformer separately.

Technical

Driver: Low Voltage

Light Source (Type): LED High-Power

Material: Aluminum, Brass, Stainless Steel

CCT (K): Amber, 2700, 3500, 3000, 4000

CRI: 80, 90

Input Power (W): 7

Delivered Lumens (lm): 260 - 524

Beam Angle (°): 13, 16, 23, 31

Shape: Square

Mount: Core Drill

Style: Faceplate: Standard

Lens: Soft Focus, Rectilinear

Shielding: Not included (Standard), Honeycomb Baffle

Wiring Length: Standard

Finish: Standard Finishes, Premium Finishes, Other - RAL, Other - Custom Color, Brass Finishes, Stainless Steel Finishes

Body: Unibody design, with enclosed, water-proof wireway and integral heat sink, fully machined from solid billet., Unibody design with enclosed, water-proof wireway, integral heat sink, fully machined from solid billet, anti-condensation and corrosion vent equalizes fixture pressure and eliminates potential for damage to internal components.

Material Detail: Furnished in stainless steel (304)., Furnished in brass (360)., Furnished in copper-free aluminum (6061-T6).

Light Source Detail: High power LEDs modular design with electrical disconnects.

Optics: Interchangeable optics permit changes in the field.

Hardware: Tamper-resistant, stainless steel hardware. Hardware is black oxide treated for additional corrosion resistance.

Sealing: 'O' Ring provides water-tight seal.

Finish Detail: Powder coat or metal finish options available for brass material., Metal finish option only for stainless steel material., StarGuard, our 15-stage chromate-free process, cleans and conversion coats aluminum components prior to application of Class 'A' TGIC polyester powder coating. It is RoHS compliant.

Warranty: 5-year limited warranty.

VERSA STAR - Ceiling Recessed - Low Voltage - LED High-Power - Square - Core Drill - Faceplate: Standard

Finishes

STANDARD FINISHES



PREMIUM FINISHES



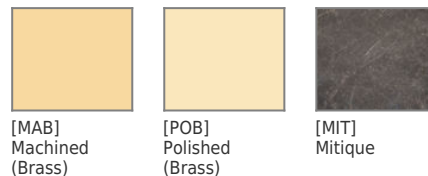
OTHER - RAL



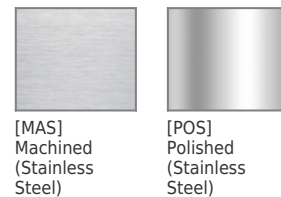
OTHER - CUSTOM COLOR



BRASS FINISHES



STAINLESS STEEL FINISHES



VERSA STAR - Ceiling Recessed - Low Voltage - LED High-Power - Square - Core Drill - Faceplate: Standard

Light Source

Light Source	Optic	Beam Angle	CCT (K)	CRI	R9	Input Power (W)	Delivered Lumens (Lm)	CBCP
e64	NSP - Narrow Spot	13	2700	80	>15	7	456	5993
e64	SP - Spot	16	2700	80	>15	7	445	4546
e64	SP2 - Spot	23	2700	80	>15	7	397	1726
e64	MFL - Medium Flood	31	2700	80	>15	7	399	1131
e65	NSP - Narrow Spot	13	3000	80	>15	7	466	6131
e65	SP - Spot	16	3000	80	>15	7	455	4650
e65	SP2 - Spot	23	3000	80	>15	7	406	1766
e65	MFL - Medium Flood	31	3000	80	>15	7	409	1157
e66	NSP - Narrow Spot	13	4000	80	>15	7	524	6889
e66	SP - Spot	16	4000	80	>15	7	511	5225
e66	SP2 - Spot	23	4000	80	>15	7	456	1984
e66	MFL - Medium Flood	31	4000	80	>15	7	459	1300
e74	NSP - Narrow Spot	13	Amber			7	299	3927
e74	SP - Spot	16	Amber			7	291	2978
e74	SP2 - Spot	23	Amber			7	260	1131
e74	MFL - Medium Flood	31	Amber			7	262	741
e79	NSP - Narrow Spot	13	2700	90	>50	7		
e79	SP - Spot	16	2700	90	>50	7		
e79	SP2 - Spot	23	2700	90	>50	7		
e79	MFL - Medium Flood	31	2700	90	>50	7		
e80	NSP - Narrow Spot	13	3000	90	>50	7		
e80	SP - Spot	16	3000	90	>50	7		
e80	SP2 - Spot	23	3000	90	>50	7		
e80	MFL - Medium Flood	31	3000	90	>50	7		
e81	NSP - Narrow Spot	13	3500	80	>15	7		
e81	SP - Spot	16	3500	80	>15	7		
e81	SP2 - Spot	23	3500	80	>15	7		
e81	MFL - Medium Flood	31	3500	80	>15	7		