

# YUKON - Wall Recessed - Line Voltage - LED High-Power - Indirect

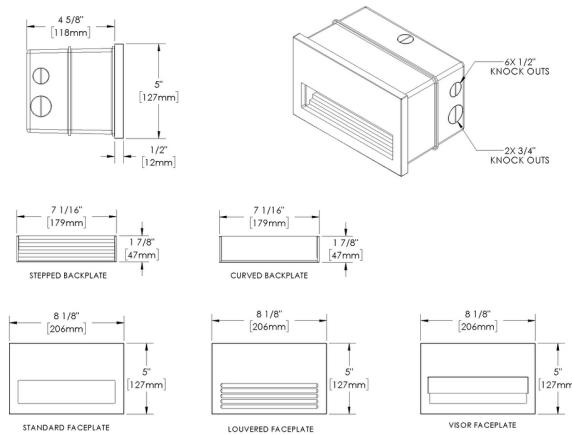
NEW



Downloads

- Product Images (.zip)
- Technical Drawing (.zip)
- 2D (.dwg)
- 2D (.dxf)
- IES Files (.zip)
- BIM - Revit (.zip)
- Installation Instructions (.pdf)

Product Variant Examples



# YUKON - Wall Recessed - Line Voltage - LED High-Power - Indirect

## Available Logic & Configurations

**YK-** 01   **WR-** 02   **LID-** 03   **LHP-** 04   **-** 05   **RH-** 06A   **JB-** 06B   **-** 06C   **IN-** 06D   **-** 06E

**01 SERIES**

**YK** - YUKON

**02 CATEGORY**

**WR** - Wall Recessed

**03 DRIVER**

**LID** - Line Voltage

**04 LIGHT SOURCE (TYPE)**

**LHP** - LED High-Power

**05 MATERIAL**

**AL** - Aluminum

**BR** - Brass

**06A SHAPE**

**RH** - Rectangular Horizontal

**06B MOUNT**

**JB** - Junction Box

**06C STYLE**

**FLD-BCU** - Faceplate: Louvered - Backplate: Curved

**FSD-BCU** - Faceplate: Standard - Backplate: Curved

**FSD-BST** - Faceplate: Standard - Backplate: Stepped

**FVR-BST** - Faceplate: Visor - Backplate: Stepped

**06D VERSION**

**IN** - Indirect

**06E INPUT VOLTAGE**

**120** - 120V

**277** - 277V

**-** 07   **-** 09   **WL00-** 11   **-** 12   **-** 13

**07 LIGHT SOURCE**

**I2780** - 2700K CRI80 - 12W (220 - 443 lm)

**I2790** - 2700K CRI90 - 12W (184 - 370 lm)

**I3080** - 3000K CRI80 - 12W (225 - 453 lm)

**I3090** - 3000K CRI90 - 12W (188 - 378 lm)

**I3580** - 3500K CRI80 - 12W (232 - 467 lm)

**I3590** - 3500K CRI90 - 12W (194 - 390 lm)

**I4080** - 4000K CRI80 - 12W (239 - 481 lm)

**I4090** - 4000K CRI90 - 12W (200 - 402 lm)

**09 CONTROL**

**ELV** - ELV Dimming (For use with Electronic Low Voltage Dimmer. 120V only.)

**INC** - INC Dimming (For use with Incandescent Dimmer. 120V only.)

**010** - 0-10V (120V,277V)

**11 WIRING LENGTH**

**WL00** - Standard

**12 FINISH**

Standard Finishes

**BLP, BZP, WHP, SAP, BLW, BZW, WHW, VER**

Premium Finishes

**CMG, SMG, RMG, AMG, TXF, BCM, BGE, WCP, OCP, HUG, ABP, BPP, SDS,**

**WIR, CAP, CRM, AQW, NBP**

Other - RAL

**RAL**

Other - Custom Color

**CUS**

Brass Finishes

**MAB, POB, MIT**

**13 OPTION**

**BF** - Black wrinkle finish on backplate for glare reduction

**NOTE:** Not all configurations may be compatible with one another. Please configure the product for specific 2D, Photometry, Downloads, Spec Sheet and Compatible mountings and power supplies.

# YUKON - Wall Recessed - Line Voltage - LED High-Power - Indirect

## Features



Secured with hidden tamper-resistant stainless steel hardware



Internal sleeve allows for easy flush adjustment after install



Internal optics with adjustable aim



Manufactured in the USA with sustainable processes



Easily replaceable modular components reduce waste and extend fixture life

## Technical

**Driver:** Line Voltage

**Light Source (Type):** LED High-Power

**Material:** Aluminum, Brass

**CCT (K):** 2700, 3500, 3000, 4000

**CRI:** 80, 90

**Input Power (W):** 12

**Delivered Lumens (lm):** 184 - 481

**Control:** 0-10V (120V, 277V), ELV Dimming (For use with Electronic Low Voltage Dimmer. 120V only.), INC Dimming (For use with Incandescent Dimmer. 120V only.)

**Shape:** Rectangular Horizontal

**Mount:** Junction Box

**Style:** Faceplate: Standard - Backplate: Stepped, Faceplate: Visor - Backplate: Stepped, Faceplate: Standard - Backplate: Curved, Faceplate: Louvered - Backplate: Curved

**Version:** Indirect

**Input Voltage:** 120V, 277V

**Wiring Length:** Standard

**Finish:** Standard Finishes, Premium Finishes, Other - RAL, Other - Custom Color, Brass Finishes

**Option:** Black wrinkle finish on backplate for glare reduction

**Material Detail:** Furnished in brass (360)., Furnished in copper-free aluminum (6061-T6).

**Aiming:** Adjustable heat sink allows for distribution adjustment in the field.

**Light Source Detail:** High power LEDs modular design with electrical disconnects.

**Hardware:** Tamper-resistant, stainless steel hardware.

**Sealing:** Anti-condensation and corrosion vent equalizes fixture pressure and eliminates potential for damage to internal components.

**Finish Detail:** Powder coat or metal finish options available for brass material., StarGuard, our 15-stage chromate-free process, cleans and conversion coats aluminum components prior to application of Class 'A' TGIC polyester powder coating. It is RoHS compliant.

**Warranty:** 5-year limited warranty.

# YUKON - Wall Recessed - Line Voltage - LED High-Power - Indirect

## Finishes

### STANDARD FINISHES



### PREMIUM FINISHES



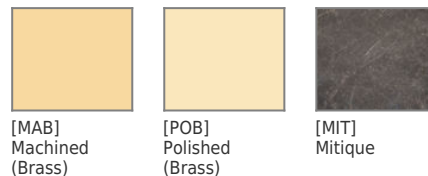
### OTHER - RAL



### OTHER - CUSTOM COLOR



### BRASS FINISHES



# YUKON - Wall Recessed - Line Voltage - LED High-Power - Indirect

## Light Source

Light Source	Optic	Beam Angle	CCT (K)	CRI	R9	Input Power (W)	Delivered Lumens (Lm)	CBCP
I2780	-		2700	80	>15	12	381	
I2780	-		2700	80	>15	12	362	
I2780	-		2700	80	>15	12	252	
I2780	-		2700	80	>15	12	320	
I2790	-		2700	90	>50	12	318	
I2790	-		2700	90	>50	12	302	
I2790	-		2700	90	>50	12	211	
I2790	-		2700	90	>50	12	267	
I3080	-		3000	80	>15	12	390	
I3080	-		3000	80	>15	12	370	
I3080	-		3000	80	>15	12	258	
I3080	-		3000	80	>15	12	328	
I3090	-		3000	90	>50	12	326	
I3090	-		3000	90	>50	12	309	
I3090	-		3000	90	>50	12	216	
I3090	-		3000	90	>50	12	274	
I3580	-		3500	80	>15	12	402	
I3580	-		3500	80	>15	12	382	
I3580	-		3500	80	>15	12	266	
I3580	-		3500	80	>15	12	338	
I3590	-		3500	90	>50	12	336	
I3590	-		3500	90	>50	12	319	
I3590	-		3500	90	>50	12	222	
I3590	-		3500	90	>50	12	282	
I4080	-		4000	80	>15	12	414	
I4080	-		4000	80	>15	12	393	
I4080	-		4000	80	>15	12	274	
I4080	-		4000	80	>15	12	348	
I4090	-		4000	90	>50	12	346	
I4090	-		4000	90	>50	12	328	
I4090	-		4000	90	>50	12	229	
I4090	-		4000	90	>50	12	291	
I2780	-		2700	80	>15	12	237	
I2790	-		2700	90	>50	12	198	
I3080	-		3000	80	>15	12	243	
I3090	-		3000	90	>50	12	203	
I3580	-		3500	80	>15	12	251	
I3590	-		3500	90	>50	12	209	
I4080	-		4000	80	>15	12	258	
I4090	-		4000	90	>50	12	215	
I2780	-		2700	80	>15	12	443	
I2790	-		2700	90	>50	12	370	
I3080	-		3000	80	>15	12	453	
I3090	-		3000	90	>50	12	378	
I3580	-		3500	80	>15	12	467	
I3590	-		3500	90	>50	12	390	
I4080	-		4000	80	>15	12	481	
I4090	-		4000	90	>50	12	402	
I2780	-		2700	80	>15	12	220	

# YUKON - Wall Recessed - Line Voltage - LED High-Power - Indirect

Light Source	Optic	Beam Angle	CCT (K)	CRI	R9	Input Power (W)	Delivered Lumens (Lm)	CBCP
I2790	-		2700	90	>50	12	184	
I3080	-		3000	80	>15	12	225	
I3090	-		3000	90	>50	12	188	
I3580	-		3500	80	>15	12	232	
I3590	-		3500	90	>50	12	194	
I4080	-		4000	80	>15	12	239	
I4090	-		4000	90	>50	12	200	