

YOSEMITE - Floodlight - Remote Driver - LED COB

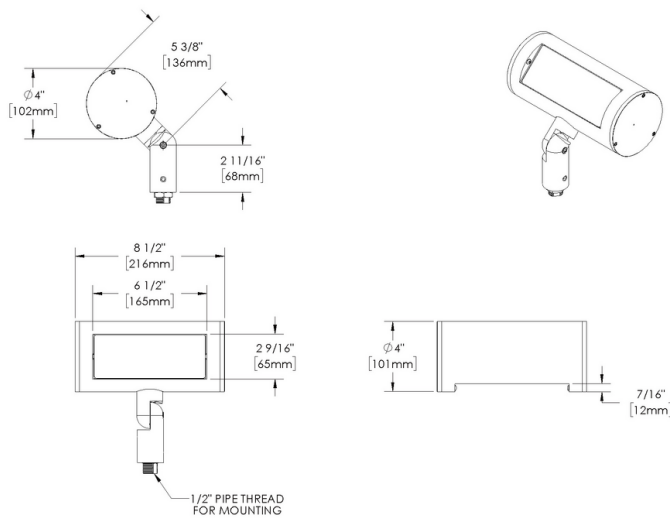


IP66

Downloads

- Product Images (.zip)
- Technical Drawing (.dwg)
- 2D (.dwg)
- 2D (.dxf)
- IES Files (.zip)
- BIM - Revit (.zip)
- Installation Instructions (.pdf)

Product Variant Examples



YOSEMITE - Floodlight - Remote Driver - LED COB

Available Logic & Configurations

YO- 01 **FL-** 02 **RMD-** 03 **LCB-** 04 **AL-** 05 **TKM-** 06B

01 SERIES

YO - YOSEMITE

02 CATEGORY

FL - Floodlight

03 DRIVER

RMD - Remote Driver

04 LIGHT SOURCE (TYPE)

LCB - LED COB

WW- 07 **09-** 10A **WL00-** 11 **12** **14**

07 LIGHT SOURCE

- x43 - 2700K CRI80 - 34W (2611 - 2611 lm)
- x44 - 3000K CRI80 - 34W (2631 - 2631 lm)
- x45 - 4000K CRI80 - 34W (2744 - 2744 lm)
- x83 - 2700K CRI80 - 23W (1884 - 1884 lm)
- x84 - 3000K CRI80 - 23W (1925 - 1925 lm)
- x85 - 4000K CRI80 - 23W (1965 - 1965 lm)

08 OPTIC

WW - Wall Wash

05 MATERIAL

AL - Aluminum

06B MOUNT

TKM - Threaded Knuckle Mount

10A LENS

09 - Clear (Standard)

10B SHIELDING

- 00** - Not included (Standard)
- 11** - Honeycomb Baffle

11 WIRING LENGTH

WL00 - Standard

12 FINISH

- Standard Finishes
BLP, BZP, WHP, SAP, BLW, BZW, WHW, VER
- Premium Finishes
CMG, SMG, RMG, AMG, TXF, BCM, BGE, WCP, OCP, HUG, ABP, BPP, SDS,
WIR, CAP, CRM, AQW, NBP
- Other - RAL
RAL
- Other - Custom Color
CUS

14 ACCESSORY

- BD-YO** - Adjustable Barn Doors - Yosemite
- CS-YO** - Cutoff Snoot - Yosemite
- CV-YO** - Cutoff Visor - Yosemite

NOTE: Not all configurations may be compatible with one another. Please configure the product for specific 2D, Photometry, Downloads, Spec Sheet and Compatible mountings and power supplies.

WARNING: This is a remote driver product. Please check "Mountings With A Power Supply" or "Power Supplies" to order remote driver separately. (IMPORTANT: Driver wattage MUST match selected fixture wattage. Example: 12W Light Source = 12W Driver)

YOSEMITE - Floodlight - Remote Driver - LED COB

Features



Lens factory adhered to fixture cap providing hermetically sealed optical compartment



Manufactured in the USA with sustainable processes



Aim & Lock knuckle eliminates need for re-aiming & adjustments



Water-tight anti-siphon plug prevents moisture ingress from wireways



Secured with tamper-resistant, stainless steel hardware



Easily replaceable modular components reduce waste and extend fixture life



360HD knuckle provides 360° horizontal rotation and vertical adjustment

Technical

Driver: Remote Driver

Light Source (Type): LED COB

Material: Aluminum

CCT (K): 2700, 3000, 4000

CRI: 80

Input Power (W): 34, 23

Delivered Lumens (lm): 1884 - 2744

Mount: Threaded Knuckle Mount

Lens: Clear (Standard)

Shielding: Not included (Standard), Honeycomb Baffle

Wiring Length: Standard

Finish: Standard Finishes, Premium Finishes, Other - RAL, Other - Custom Color

Accessory: Adjustable Barn Doors - Yosemite, Cutoff Snoot - Yosemite, Cutoff Visor - Yosemite

Body: Enclosed, water-proof wireway with machined end caps gasketed to create a water-tight seal for optical compartment

Material Detail: Furnished in copper-free aluminum (6061-T6).

Aiming: 360HD Mounting System can adjust 180° vertically and rotate 360° horizontally. 'O' Ring helps maintain fixture position. Design withstands 73 lb. static load prior to movement for optical alignment with a 1/2" pipe thread for mounting.

Light Source Detail: COB (Chip on Board) technology and modular design with electrical quick disconnects.

Optics: Interchangeable optics permit changes in the field.

Hardware: Tamper-resistant, stainless steel hardware. Hardware is black oxide treated for additional corrosion resistance.

Sealing: Machined end caps gasketed to create a water-tight seal for optical compartment.

Finish Detail: StarGuard, our 15-stage chromate-free process, cleans and conversion coats aluminum components prior to application of Class 'A' TGIC polyester powder coating. It is RoHS compliant.

Warranty: 5-year limited warranty.

WARNING: This is a remote driver product. Please check "Mountings With A Power Supply" or "Power Supplies" to order remote driver separately. (IMPORTANT: Driver wattage MUST match selected fixture wattage. Example: 12W Light Source = 12W Driver)

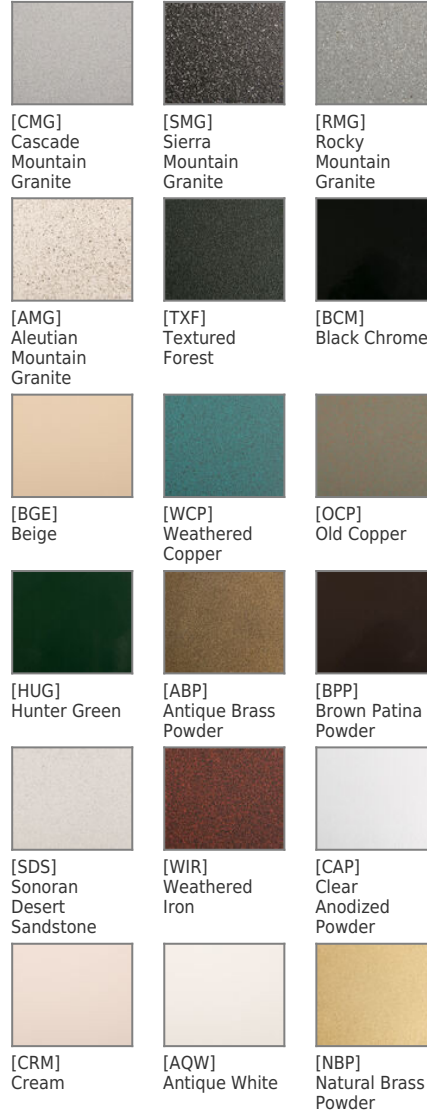
YOSEMITE - Floodlight - Remote Driver - LED COB

Finishes

STANDARD FINISHES



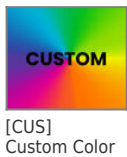
PREMIUM FINISHES



OTHER - RAL



OTHER - CUSTOM COLOR



YOSEMITE - Floodlight - Remote Driver - LED COB

Light Source

Light Source	Optic	Beam Angle	CCT (K)	CRI	R9	Input Power (W)	Delivered Lumens (Lm)	CBCP
x43	WW - Wall Wash	50	2700	80	>15	34	2611	
x44	WW - Wall Wash	50	3000	80	>15	34	2631	
x45	WW - Wall Wash	50	4000	80	>15	34	2744	
x83	WW - Wall Wash	50	2700	80	>15	23	1884	
x84	WW - Wall Wash	50	3000	80	>15	23	1925	
x85	WW - Wall Wash	50	4000	80	>15	23	1965	