

YOSEMITE - Floodlight - Line Voltage - LED COB

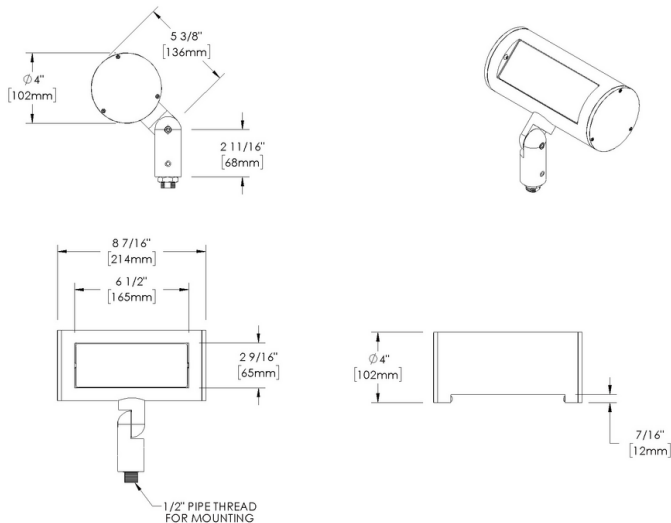


IP66

Downloads

- Product Images (.zip)
- Technical Drawing (.zip)
- 2D (.dwg)
- 2D (.dxf)
- IES Files (.zip)
- BIM - Revit (.zip)
- Installation Instructions (.pdf)

Product Variant Examples



YOSEMITE - Floodlight - Line Voltage - LED COB

Available Logic & Configurations

YO- 01 **FL-** 02 **LID-** 03 **LCB-** 04 **AL-** 05 **TKM-** 06B **-** 06E

01 SERIES

YO - YOSEMITE

02 CATEGORY

FL - Floodlight

03 DRIVER

LID - Line Voltage

04 LIGHT SOURCE (TYPE)

LCB - LED COB

05 MATERIAL

AL - Aluminum

06B MOUNT

TKM - Threaded Knuckle Mount

06E INPUT VOLTAGE

120 - 120V

277 - 277V

- 07 **WW-** 08 **-** 09 **09-** 10A **-** 10B **WL00-** 11 **-** 12 **-** 14

07 LIGHT SOURCE

x113 - 2700K CRI80 - 34W (2611 - 2611 lm)

x114 - 3000K CRI80 - 34W (2631 - 2631 lm)

x116 - 4000K CRI80 - 34W (2744 - 2744 lm)

x117 - 2700K CRI90 - 34W

x118 - 3000K CRI90 - 34W

x120 - 4000K CRI90 - 34W

x130 - 2700K CRI80 - 23W - Wall Wash (1884 - 1884 lm)

x131 - 3000K CRI80 - 23W - Wall Wash (1924 - 1924 lm)

x133 - 4000K CRI80 - 23W - Wall Wash (1965 - 1965 lm)

x134 - 2700K CRI90 - 23W

x135 - 3000K CRI90 - 23W

x137 - 3500K CRI80 - 23W

08 OPTIC

WW - Wall Wash

09 CONTROL

ELV - ELV Dimming (For use with Electronic Low Voltage Dimmer. 120V only.)

INC - INC Dimming (For use with Incandescent Dimmer. 120V only.)

010 - 0-10V (120V,277V)

10A LENS

09 - Clear (Standard)

10B SHIELDING

00 - Not included (Standard)

11 - Honeycomb Baffle

11 WIRING LENGTH

WL00 - Standard

12 FINISH

Standard Finishes

BLP, BZP, WHP, SAP, BLW, BZW, WHW, VER

Premium Finishes

CMG, SMG, RMG, AMG, TXF, BCM, BGE, WCP, OCP, HUG, ABP, BPP, SDS,

WIR, CAP, CRM, AQW, NBP

Other - RAL

RAL

Other - Custom Color

CUS

14 ACCESSORY

BD-YO - Adjustable Barn Doors - Yosemite

CS-YO - Cutoff Snoot - Yosemite

CV-YO - Cutoff Visor - Yosemite

NOTE: Not all configurations may be compatible with one another. Please configure the product for specific 2D, Photometry, Downloads, Spec Sheet and Compatible mountings and power supplies.

YOSEMITE - Floodlight - Line Voltage - LED COB

Features



Lens factory adhered to fixture cap providing hermetically sealed optical compartment



Manufactured in the USA with sustainable processes



Aim & Lock knuckle eliminates need for re-aiming & adjustments



Water-tight anti-siphon plug prevents moisture ingress from wireways



Secured with tamper-resistant, stainless steel hardware



Easily replaceable modular components reduce waste and extend fixture life



360HD knuckle provides 360° horizontal rotation and vertical adjustment

Technical

Driver: Line Voltage

Light Source (Type): LED COB

Material: Aluminum

CCT (K): 2700, 3000, 3500, 4000

CRI: 80, 90

Input Power (W): 34, 23

Delivered Lumens (lm): 1884 - 2744

Control: 0-10V (120V,277V), ELV Dimming (For use with Electronic Low Voltage Dimmer. 120V only.), INC Dimming (For use with Incandescent Dimmer. 120V only.)

Mount: Threaded Knuckle Mount

Input Voltage: 120V, 277V

Lens: Clear (Standard)

Shielding: Not included (Standard), Honeycomb Baffle

Wiring Length: Standard

Finish: Standard Finishes, Premium Finishes, Other - RAL, Other - Custom Color

Accessory: Adjustable Barn Doors - Yosemite, Cutoff Snoot - Yosemite, Cutoff Visor - Yosemite

Body: Enclosed, water-proof wireway with machined end caps gasketed to create a water-tight seal for optical compartment

Material Detail: Furnished in copper-free aluminum (6061-T6).

Aiming: 360HD Mounting System can adjust 180° vertically and rotate 360° horizontally. 'O' Ring helps maintain fixture position. Design withstands 73 lb. static load prior to movement for optical alignment with a ½" pipe thread for mounting.

Light Source Detail: COB (Chip on Board) technology and modular design with electrical quick disconnects.

Optics: Interchangeable optics permit changes in the field.

Hardware: Tamper-resistant, stainless steel hardware. Hardware is black oxide treated for additional corrosion resistance.

Sealing: Machined end caps gasketed to create a water-tight seal for optical compartment.

Finish Detail: StarGuard, our 15-stage chromate-free process, cleans and conversion coats aluminum components prior to application of Class 'A' TGIC polyester powder coating. It is RoHS compliant.

Warranty: 5-year limited warranty.

YOSEMITE - Floodlight - Line Voltage - LED COB

Finishes

STANDARD FINISHES



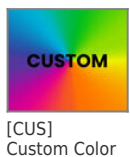
PREMIUM FINISHES



OTHER - RAL



OTHER - CUSTOM COLOR



YOSEMITE - Floodlight - Line Voltage - LED COB

Light Source

Light Source	Optic	Beam Angle	CCT (K)	CRI	R9	Input Power (W)	Delivered Lumens (Lm)	CBCP
x113	WW - Wall Wash		2700	80	>15	34	2611	
x114	WW - Wall Wash		3000	80	>15	34	2631	
x116	WW - Wall Wash		4000	80	>15	34	2744	
x117	WW - Wall Wash		2700	90	>50	34		
x118	WW - Wall Wash		3000	90	>50	34		
x120	WW - Wall Wash		3500	90	>50	34		
x130	WW - Wall Wash		2700	80	>15	23	1884	
x131	WW - Wall Wash		3000	80	>15	23	1924	
x133	WW - Wall Wash		4000	80	>15	23	1965	
x134	WW - Wall Wash		2700	90	>50	23		
x135	WW - Wall Wash		3000	90	>50	23		
x137	WW - Wall Wash		3500	90	>50	23		