

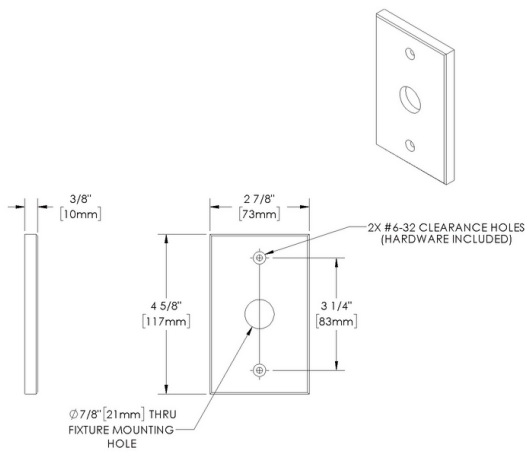
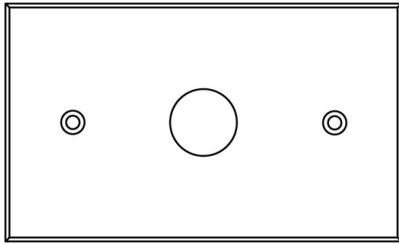
Canopy
Canopy BC11 - Aluminum

Date Project Type



Downloads

- Product Image
- Technical Drawing
- 2D (.dwg)
- 2D (.dxf)



BC11

Canopy
Canopy BC11 - Aluminum

Date	Project	Type
<input type="text"/>	<input type="text"/>	<input type="text"/>

Configure

BC11 - 01	AL - 04	___ - 06
---------------------	-------------------	--------------------

Canopy BC11 - Aluminum

01 ACCESSORIES

BC11 - Canopy BC11

04 MATERIAL

AL - Aluminum

06 FINISHES

Standard Finishes

BLP, BZP, WHP, SAP, BLW, BZW, WHW, VER

Premium Finishes

CMG, SMG, RMG, AMG, TXF, BCM, BGE, WCP, OCP, HUG, ABP, BPP, SDS, WIR, CAP, CRM, AQW, NBP

Other - RAL

RAL

Other - Custom Color

CUS

Canopy
Canopy BC11 - Aluminum

Date Project Type

Page: 3 of 4

Technical

Body: Machined canopy.

Material Detail: Furnished in copper-free aluminum (6061-T6).

Installation: For use with MB2 surface mounting box (specify separately).

Finish: Standard Finishes, Premium Finishes, Other - RAL, Other - Custom Color

Note: All line and low voltage connections must be made in compliance with the National Electrical Code. Failure to do so will void warranty.

Finish Detail: StarGuard, our 15-stage chromate-free process, cleans and conversion coats aluminum components prior to application of Class 'A' TGIC polyester powder coating. It is RoHS compliant.

Warranty: 5-year limited warranty.

Certification: RoHS compliant components.

Canopy
Canopy BC11 - Aluminum

Date Project Type

Finishes

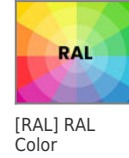
STANDARD FINISHES



PREMIUM FINISHES



OTHER - RAL



OTHER - CUSTOM COLOR

