

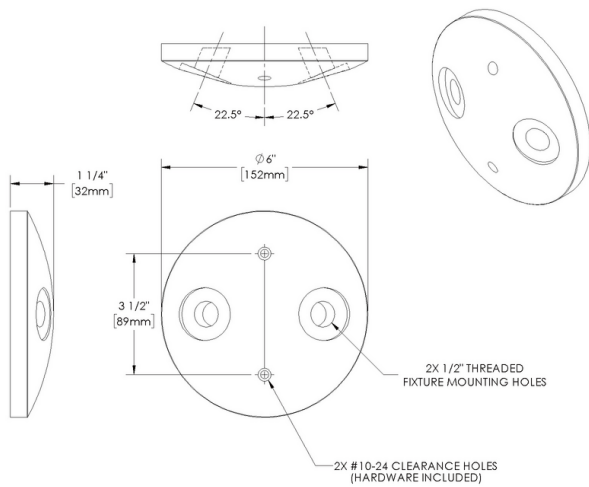
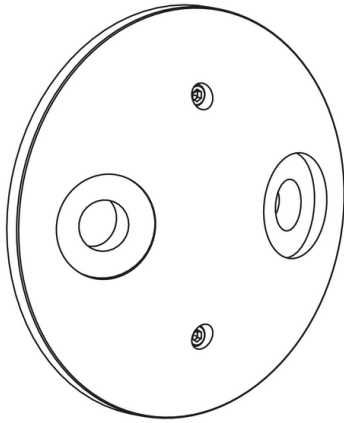
Canopy
Canopy BC15 - Aluminum

Date Project Type



Downloads

- Product Image
- Technical Drawing
- 2D (.dwg)
- 2D (.dxf)



BC15

Canopy
Canopy BC15 - Aluminum

Date Project Type

Configure

BC15 -
01 **AL -**
04 **___ -**
06

Canopy BC15 - Aluminum

01 ACCESSORIES

BC15 - Canopy BC15

04 MATERIAL

AL - Aluminum

06 FINISHES

Standard Finishes

BLP, BZP, WHP, SAP, BLW, BZW, WHW, VER

Premium Finishes

CMG, SMG, RMG, AMG, TXF, BCM, BGE, WCP, OCP, HUG, ABP, BPP, SDS, WIR, CAP, CRM, AQW, NBP

Other - RAL

RAL

Other - Custom Color

CUS

Canopy
Canopy BC15 - Aluminum

Date Project Type

Page: 3 of 4

Technical

Body: Machined canopy.

Material Detail: Furnished in copper-free aluminum (6061-T6).

Installation: For use with 4" recessed octagonal junction box (by others).

Finish: Standard Finishes, Premium Finishes, Other - RAL, Other - Custom Color

Note: All line and low voltage connections must be made in compliance with the National Electrical Code. Failure to do so will void warranty.

Finish Detail: StarGuard, our 15-stage chromate-free process, cleans and conversion coats aluminum components prior to application of Class 'A' TGIC polyester powder coating. It is RoHS compliant.

Warranty: 5-year limited warranty.

Certification: RoHS compliant components.

Canopy
Canopy BC15 - Aluminum

Date Project Type

Finishes

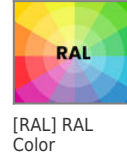
STANDARD FINISHES



PREMIUM FINISHES



OTHER - RAL



OTHER - CUSTOM COLOR

