

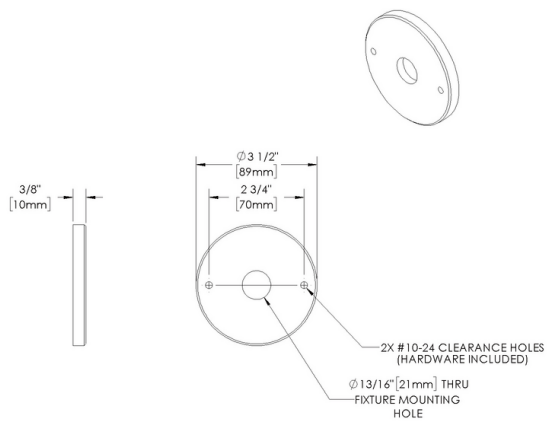
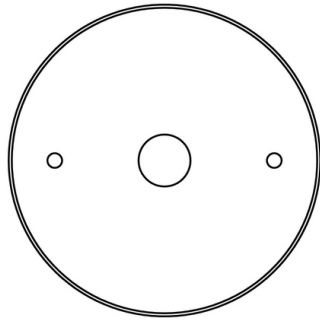
Canopy  
**Canopy BC7 - Aluminum**

Date  Project  Type



**Downloads**

- Product Image
- Technical Drawing
- 2D (.dwg)
- 2D (.dxf)



BC7

Canopy  
**Canopy BC7 - Aluminum**

Date	Project	Type
<input type="text"/>	<input type="text"/>	<input type="text"/>

## Configure

<b>BC7 -</b> 01	<b>AL -</b> 04	<b>___ -</b> 06
--------------------	-------------------	--------------------

Canopy BC7 - Aluminum

### 01 ACCESSORIES

**BC7** - Canopy BC7

### 04 MATERIAL

**AL** - Aluminum

### 06 FINISHES

Standard Finishes

**BLP, BZP, WHP, SAP, BLW, BZW, WHW, VER**

Premium Finishes

**CMG, SMG, RMG, AMG, TXF, BCM, BGE, WCP, OCP, HUG, ABP, BPP, SDS, WIR, CAP, CRM, AQW, NBP**

Other - RAL

**RAL**

Other - Custom Color

**CUS**

Canopy  
**Canopy BC7 - Aluminum**

Date	Project	Type
<input type="text"/>	<input type="text"/>	<input type="text"/>

## Technical

**Body:** Machined canopy.

**Material Detail:** Furnished in copper-free aluminum (6061-T6).

**Installation:** For use with 3" recessed octagonal junction box or 3" mud ring on 4" octagonal junction box (by others).

**Finish:** Standard Finishes, Premium Finishes, Other - RAL, Other - Custom Color

**Note:** All line and low voltage connections must be made in compliance with the National Electrical Code. Failure to do so will void warranty.

**Finish Detail:** StarGuard, our 15-stage chromate-free process, cleans and conversion coats aluminum components prior to application of Class 'A' TGIC polyester powder coating. It is RoHS compliant.

**Warranty:** 5-year limited warranty.

**Certification:** RoHS compliant components.

Canopy  
**Canopy BC7 - Aluminum**

Date  Project  Type

**Finishes**

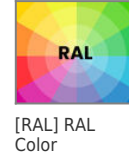
**STANDARD FINISHES**



**PREMIUM FINISHES**



**OTHER - RAL**



**OTHER - CUSTOM COLOR**

