

# In-grade HP2 - No Grout Mask - Remote Transformer - Stainless Steel

Date

Project

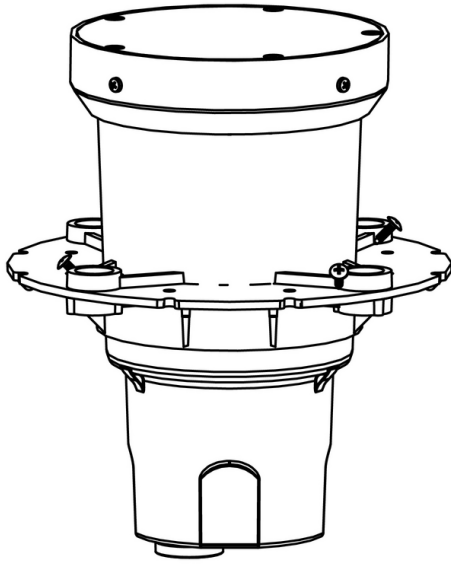
Type



IP68



IP68



[Downloads](#)

[Product Image](#)

# In-grade HP2 - No Grout Mask - Remote Transformer - Stainless Steel

Date

Project

Type

## Configure

<b>HP2 -</b> 01	<b>NG -</b> 02	<b>TR-RM -</b> 03	<b>SS -</b> 04	<b>___ -</b> 05	<b>___ -</b> 06
--------------------	-------------------	----------------------	-------------------	--------------------	--------------------

In-grade HP2 - No Grout Mask - Remote Transformer - Stainless Steel

### 01 ACCESSORIES

**HP2** - In-grade HP2

### 02 MOUNT

**NG** - No Grout Mask

### 03 VERSION

**TR-RM** - Remote Transformer

### 04 MATERIAL

**SS** - Stainless Steel

### 05 POWER SUPPLY

**TR-75-120-MLV** - 75W - 120V - MLV Dimming

**TR-75-277-MLV** - 75W - 277V - MLV Dimming

**TR-150-120-MLV** - 150W - 120V - MLV Dimming

**TR-150-277-MLV** - 150W - 277V - MLV Dimming

### 06 FINISHES

Stainless Steel Finishes

**MAS, POS**

**IMPORTANT: Transformer wattage MUST be calculated based on the total load of the luminaires it will support.**

## In-grade HP2 - No Grout Mask - Remote Transformer - Stainless Steel

Date

Project

Type




### Transformers

Power Supply	Control	Max Load (W)	Input Voltage	Power Factor	THD (%)	Operation Ambient Temperature	Output Current	Circuit Breaker	Min Load (W)
TR-75-277-MLV	MLV	75	277V			-30°C to 105°C	12Vac	-	
TR-75-120-MLV	MLV	75	120V			-30°C to 105°C	12Vac	-	
TR-150-120-MLV	MLV	150	120V			-30°C to 105°C	12Vac	-	
TR-150-277-MLV	MLV	150	277V			-30°C to 105°C	12Vac	-	

## In-grade HP2 - No Grout Mask - Remote Transformer - Stainless Steel

Date

Project

Type

### Technical

**Body:** Corrosion-free composite, made from high strength, thermo-formed, sheet molded polyester compound. Glass reinforced, flame retardant with knockout plugs and four (4) side flats for 1/2" or 3/4" conduit adapters.

**Material Detail:** Furnished in stainless steel (304).

**Installation:** Integral, aluminum concrete pour collar (CPC) permits direct burial in soil or concrete. Consult Drainage Installation Guide for In-Grade Fixtures (DIG-IT) for compliance with proper soil preparation and drainage requirements prior to installation.

**Finish:** Stainless Steel Finishes

**Finish Detail:** Metal finish option only for stainless steel material.

**Warranty:** 5-year limited warranty.

**Certification:** UL tested to IESNA LM-79. UL Listed. Certified to CAN/CSA/ANSI Standards.

**IMPORTANT: Transformer wattage MUST be calculated based on the total load of the luminaires it will support.**

# In-grade HP2 - No Grout Mask - Remote Transformer - Stainless Steel

Date

Project

Type

## Finishes

---

### STAINLESS STEEL FINISHES



[MAS]  
Machined  
(Stainless  
Steel)



[POS] Polished  
(Stainless  
Steel)