

Driver Within Junction Box

In-grade HP2 - Square Grout Mask - Remote Driver - Stainless Steel

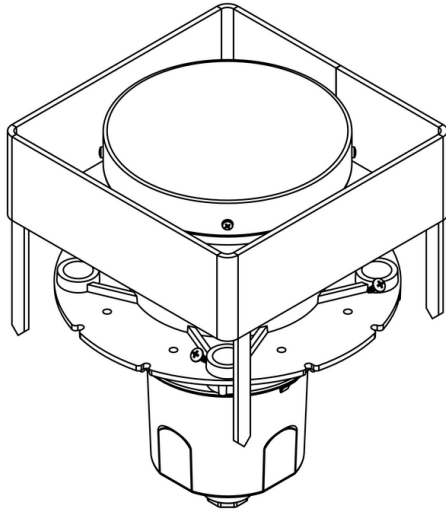
Date _____ Project _____ Type _____



IP68



IP68



[Downloads](#)

[Product Image](#)

In-grade HP2 - Square Grout Mask - Remote Driver - Stainless Steel

Date Project Type

Configure

HP2 - **SG -** **DR-RM -** **SS -** **___ -** **___ -**
 01 02 03 04 05 06

In-grade HP2 - Square Grout Mask - Remote Driver - Stainless Steel

01 ACCESSORIES

HP2 - In-grade HP2

02 MOUNT

SG - Square Grout Mask

03 VERSION

DR-RM - Remote Driver

04 MATERIAL

SS - Stainless Steel

05 POWER SUPPLY

LCB-10W-MT-010 - LCB - 10W - 120V,277V - 0-10V

LCB-12W-MT-010 - LCB - 12W - 120V,277V - 0-10V

LCB-20W-MT-010 - LCB - 20W - 120V,277V - 0-10V

LCB-23W-MT-010 - LCB - 23W - 120V,277V - 0-10V

LCB-23W-MT-010-ARC - LCB - 23W - 120V,277V - 0-10V (%0.1 - 100)

LCB-27W-MT-010 - LCB - 27W - 120V,277V - 0-10V

LCB-34W-MT-010 - LCB - 34W - 120V,277V - 0-10V

LCB-34W-MT-010-ARC - LCB - 34W - 120V,277V - 0-10V (%0.1 - 100)

LCB-42W-MT-010 - LCB - 42W - 120V,277V - 0-10V

LCB-42W-MT-010-ARC - LCB - 42W - 120V,277V - 0-10V (%0.1 - 100)

LCB-57W-MT-010 - LCB - 57W - 120V,277V - 0-10V

06 FINISHES

Stainless Steel Finishes

MAS, POS

IMPORTANT: Driver wattage MUST match selected fixture wattage. (example: 12W Light Source = 12W Driver)"

In-grade HP2 - Square Grout Mask - Remote Driver - Stainless Steel

Date Project Type

Drivers

Power Supply	Control	Input Voltage	Power Factor	THD (%)	Operation Ambient Temperature	InRush Current	Output Current	Output Power (Max-W)	Output Voltage (Range)	Dimming (Range)
LCB-10W-MT-010	010	120V,277V	0	0	-	-	350mA	15	21-32Vdc	1-100%
LCB-12W-MT-010	010	120V,277V	0.9	<20%	-	-	-	-	-	-
LCB-20W-MT-010	010	120V,277V	0.9	<20%	90°C	-	700mA	30	-	-
LCB-23W-MT-010	010	120V,277V	>0.9	<20	-20°C to 50°C	-	1050mA	50	2-55V	1-100%
LCB-23W-MT-010-ARC	010-ARC	120V,277V	>0.9	<20	-20°C to 50°C	-	1050mA	50	1.5-55V	0.1%-100%
LCB-27W-MT-010	010	120V,277V	>0.9	<20	-30°C to 90°C	-	250mA-1100mA	29.4	14-56v	1-100%
LCB-34W-MT-010	010	120V,277V	>0.9	<20	-20°C to 50°C	-	1050mA	50	2-55V	1-100%
LCB-34W-MT-010-ARC	010-ARC	120V,277V	>0.9	<20	-20°C to 50°C	-	1050mA	50	1.5-55V	0.1%-100%
LCB-42W-MT-010	010	120V,277V	>0.9	<20	-20°C to 50°C	-	1050mA	50	2-55V	1-100%
LCB-42W-MT-010-ARC	010-ARC	120V,277V	>0.9	<20	-20°C to 50°C	-	1050mA	50	1.5-55V	0.1%-100%
LCB-57W-MT-010	010	120V,277V	>0.90 @ 75-100% load	<20 @ 60-100% load	-30°C to 65°C	<30.0A Max	1400mA	75	18-54Vdc	10-100%

In-grade HP2 - Square Grout Mask - Remote Driver - Stainless Steel

Date Project Type

Technical

Body: Corrosion-free composite, made from high strength, thermo-formed, sheet molded polyester compound. Glass reinforced, flame retardant with knockout plugs and four (4) side flats for 1/2" or 3/4" conduit adapters.

Material Detail: Furnished in stainless steel (304).

Installation: Integral, aluminum concrete pour collar (CPC) permits direct burial in soil or concrete. Consult Drainage Installation Guide for In-Grade Fixtures (DIG-IT) for compliance with proper soil preparation and drainage requirements prior to installation.

Finish: Stainless Steel Finishes

Note: Drivers are fixture specific. Driver wattage should match fixture wattage. For questions about driver selection, please contact the factory.

Finish Detail: Metal finish option only for stainless steel material.

Warranty: 5-year limited warranty.

Certification: UL tested to IESNA LM-79. UL Listed. Certified to CAN/CSA/ANSI Standards.

IMPORTANT: Driver wattage MUST match selected fixture wattage. (example: 12W Light Source = 12W Driver)"

In-grade HP2 - Square Grout Mask - Remote Driver - Stainless Steel

Date Project Type

Finishes

STAINLESS STEEL FINISHES



[MAS]
Machined
(Stainless
Steel)



[POS] Polished
(Stainless
Steel)