

In-grade HP2 - Square Grout Mask - Remote Transformer - Aluminum

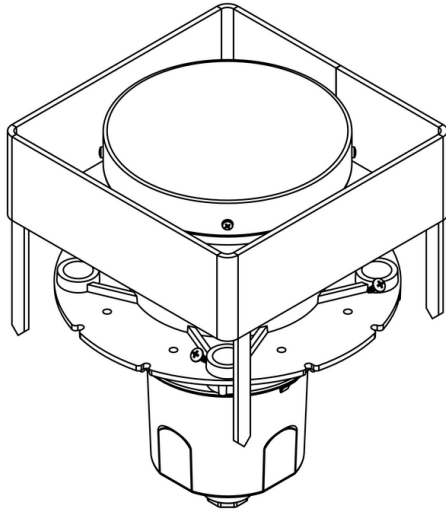
Date _____ Project _____ Type _____



IP68



IP68



[Downloads](#)

[Product Image](#)

In-grade HP2 - Square Grout Mask - Remote Transformer - Aluminum

Date

Project

Type

Configure

| | | | | | |
|--------------|-------------|----------------|-------------|--------------|--------------|
| HP2 - | SG - | TR-RM - | AL - | ___ - | ___ - |
| 01 | 02 | 03 | 04 | 05 | 06 |

In-grade HP2 - Square Grout Mask - Remote Transformer - Aluminum

01 ACCESSORIES

HP2 - In-grade HP2

02 MOUNT

SG - Square Grout Mask

03 VERSION

TR-RM - Remote Transformer

04 MATERIAL

AL - Aluminum

05 POWER SUPPLY

TR-75-120-MLV - 75W - 120V - MLV Dimming

TR-75-277-MLV - 75W - 277V - MLV Dimming

TR-150-120-MLV - 150W - 120V - MLV Dimming

TR-150-277-MLV - 150W - 277V - MLV Dimming

06 FINISHES

Standard Finishes

BLP, BZP, WHP, SAP, BLW, BZW, WHW, VER

Premium Finishes

CMG, SMG, RMG, AMG, TXF, BCM, BGE, WCP, OCP, HUG, ABP, BPP,

SDS, WIR, CAP, CRM, AQW, NBP

Other - RAL

RAL

Other - Custom Color

CUS

IMPORTANT: Transformer wattage MUST be calculated based on the total load of the luminaires it will support.

In-grade HP2 - Square Grout Mask - Remote Transformer - Aluminum

Date

Project

Type

Transformers

| Power Supply | Control | Max Load (W) | Input Voltage | Power Factor | THD (%) | Operation Ambient Temperature | Output Current | Circuit Breaker | Min Load (W) |
|----------------|---------|--------------|---------------|--------------|---------|-------------------------------|----------------|-----------------|--------------|
| TR-75-120-MLV | MLV | 75 | 120V | | | -30°C to 105°C | 12Vac | - | |
| TR-75-277-MLV | MLV | 75 | 277V | | | -30°C to 105°C | 12Vac | - | |
| TR-150-120-MLV | MLV | 150 | 120V | | | -30°C to 105°C | 12Vac | - | |
| TR-150-277-MLV | MLV | 150 | 277V | | | -30°C to 105°C | 12Vac | - | |

In-grade HP2 - Square Grout Mask - Remote Transformer - Aluminum

Date

Project

Type

Technical

Body: Corrosion-free composite, made from high strength, thermo-formed, sheet molded polyester compound. Glass reinforced, flame retardant with knockout plugs and four (4) side flats for 1/2" or 3/4" conduit adapters.

Material Detail: Furnished in copper-free aluminum (6061-T6).

Installation: Integral, aluminum concrete pour collar (CPC) permits direct burial in soil or concrete. Consult Drainage Installation Guide for In-Grade Fixtures (DIG-IT) for compliance with proper soil preparation and drainage requirements prior to installation.

Finish: Standard Finishes, Premium Finishes, Other - RAL, Other - Custom Color

Finish Detail: StarGuard, our 15-stage chromate-free process, cleans and conversion coats aluminum components prior to application of Class 'A' TGIC polyester powder coating. It is RoHS compliant.

Warranty: 5-year limited warranty.

Certification: UL tested to IESNA LM-79. UL Listed. Certified to CAN/CSA/ANSI Standards.

IMPORTANT: Transformer wattage MUST be calculated based on the total load of the luminaires it will support.

In-grade HP2 - Square Grout Mask - Remote Transformer - Aluminum

Date

Project

Type

Finishes

STANDARD FINISHES



[BLP] Satin Black



[BZP] Satin Bronze



[WHP] Satin White



[SAP] Satin Aluminum



[BLW] Black Wrinkle



[BZW] Bronze Wrinkle



[WHW] White Wrinkle



[VER] Verde

PREMIUM FINISHES



[CMG] Cascade Mountain Granite



[SMG] Sierra Mountain Granite



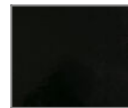
[RMG] Rocky Mountain Granite



[AMG] Aleutian Mountain Granite



[TXF] Textured Forest



[BCM] Black Chrome



[BGE] Beige



[WCP] Weathered Copper



[OCP] Old Copper



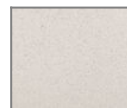
[HUG] Hunter Green



[ABP] Antique Brass Powder



[BPP] Brown Patina Powder



[SDS] Sonoran Desert Sandstone



[WIR] Weathered Iron



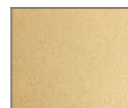
[CAP] Clear Anodized Powder



[CRM] Cream



[AQW] Antique White



[NBP] Natural Brass Powder

OTHER - RAL



[RAL] RAL Color

OTHER - CUSTOM COLOR



[CUS] Custom Color