

# In-grade HP2 - Square Grout Mask - Remote Transformer - Brass

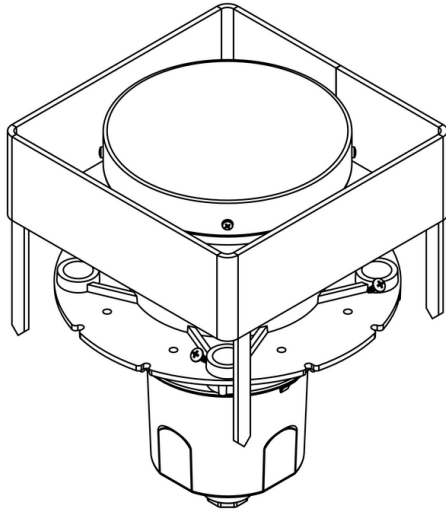
Date \_\_\_\_\_ Project \_\_\_\_\_ Type \_\_\_\_\_



IP68



IP68



[Downloads](#)

[Product Image](#)

# In-grade HP2 - Square Grout Mask - Remote Transformer - Brass

Date  Project  Type

## Configure

<b>HP2 -</b> 01	<b>SG -</b> 02	<b>TR-RM -</b> 03	<b>BR -</b> 04	<b>___ -</b> 05	<b>___ -</b> 06
--------------------	-------------------	----------------------	-------------------	--------------------	--------------------

In-grade HP2 - Square Grout Mask - Remote Transformer - Brass

### 01 ACCESSORIES

**HP2** - In-grade HP2

### 02 MOUNT

**SG** - Square Grout Mask

### 03 VERSION

**TR-RM** - Remote Transformer

### 04 MATERIAL

**BR** - Brass

### 05 POWER SUPPLY

**TR-75-120-MLV** - 75W - 120V - MLV Dimming

**TR-75-277-MLV** - 75W - 277V - MLV Dimming

**TR-150-120-MLV** - 150W - 120V - MLV Dimming

**TR-150-277-MLV** - 150W - 277V - MLV Dimming

### 06 FINISHES

Standard Finishes

**BLP, BZP, WHP, SAP, BLW, BZW, WHW, VER**

Premium Finishes

**CMG, SMG, RMG, AMG, TXF, BCM, BGE, WCP, OCP, HUG, ABP, BPP,**

**SDS, WIR, CAP, CRM, AQW, NBP**

Brass Finishes

**MAB, POB, MIT**

Other - RAL

**RAL**

Other - Custom Color

**CUS**

**IMPORTANT: Transformer wattage MUST be calculated based on the total load of the luminaires it will support.**

## In-grade HP2 - Square Grout Mask - Remote Transformer - Brass

Date  Project  Type

### Transformers

Power Supply	Control	Max Load (W)	Input Voltage	Power Factor	THD (%)	Operation Ambient Temperature	Output Current	Circuit Breaker	Min Load (W)
TR-75-120-MLV	MLV	75	120V			-30°C to 105°C	12Vac	-	
TR-75-277-MLV	MLV	75	277V			-30°C to 105°C	12Vac	-	
TR-150-120-MLV	MLV	150	120V			-30°C to 105°C	12Vac	-	
TR-150-277-MLV	MLV	150	277V			-30°C to 105°C	12Vac	-	

## In-grade HP2 - Square Grout Mask - Remote Transformer - Brass

Date

Project

Type

### Technical

**Body:** Corrosion-free composite, made from high strength, thermo-formed, sheet molded polyester compound. Glass reinforced, flame retardant with knockout plugs and four (4) side flats for 1/2" or 3/4" conduit adapters.

**Material Detail:** Furnished in brass (360).

**Installation:** Integral, aluminum concrete pour collar (CPC) permits direct burial in soil or concrete. Consult Drainage Installation Guide for In-Grade Fixtures (DIG-IT) for compliance with proper soil preparation and drainage requirements prior to installation.

**Finish:** Standard Finishes, Premium Finishes, Brass Finishes, Other - RAL, Other - Custom Color

**Finish Detail:** Powder coat or metal finish options available for brass material.

**Warranty:** 5-year limited warranty.

**Certification:** UL tested to IESNA LM-79. UL Listed. Certified to CAN/CSA/ANSI Standards.

**IMPORTANT: Transformer wattage MUST be calculated based on the total load of the luminaires it will support.**

# In-grade HP2 - Square Grout Mask - Remote Transformer - Brass

Date

Project

Type




## Finishes

### STANDARD FINISHES



[BLP] Satin Black



[BZP] Satin Bronze



[WHP] Satin White



[SAP] Satin Aluminum



[BLW] Black Wrinkle



[BZW] Bronze Wrinkle



[WHW] White Wrinkle



[VER] Verde

### PREMIUM FINISHES



[CMG] Cascade Mountain Granite



[SMG] Sierra Mountain Granite



[RMG] Rocky Mountain Granite



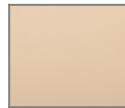
[AMG] Aleutian Mountain Granite



[TXF] Textured Forest



[BCM] Black Chrome



[BGE] Beige



[WCP] Weathered Copper



[OCP] Old Copper



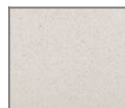
[HUG] Hunter Green



[ABP] Antique Brass Powder



[BPP] Brown Patina Powder



[SDS] Sonoran Desert Sandstone



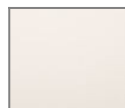
[WIR] Weathered Iron



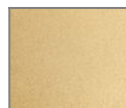
[CAP] Clear Anodized Powder



[CRM] Cream



[AQW] Antique White



[NBP] Natural Brass Powder

### BRASS FINISHES



[MAB] Machined (Brass)



[POB] Polished (Brass)



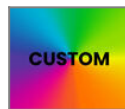
[MIT] Mitique

### OTHER - RAL



[RAL] RAL Color

### OTHER - CUSTOM COLOR



[CUS] Custom Color