

In-grade HP2 - Square Grout Mask - Remote Transformer - Stainless Steel

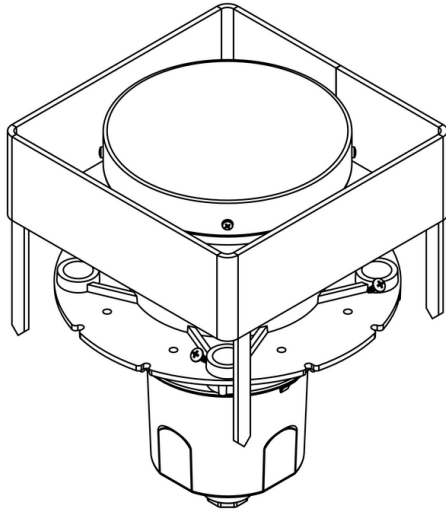
Date _____ Project _____ Type _____



IP68



IP68



[Downloads](#)

[Product Image](#)

In-grade HP2 - Square Grout Mask - Remote Transformer - Stainless Steel

Date

Project

Type

Configure

HP2 - 01	SG - 02	TR-RM - 03	SS - 04	___ - 05	___ - 06
--------------------	-------------------	----------------------	-------------------	--------------------	--------------------

In-grade HP2 - Square Grout Mask - Remote Transformer - Stainless Steel

01 ACCESSORIES

HP2 - In-grade HP2

02 MOUNT

SG - Square Grout Mask

03 VERSION

TR-RM - Remote Transformer

04 MATERIAL

SS - Stainless Steel

05 POWER SUPPLY

TR-75-120-MLV - 75W - 120V - MLV Dimming

TR-75-277-MLV - 75W - 277V - MLV Dimming

TR-150-120-MLV - 150W - 120V - MLV Dimming

TR-150-277-MLV - 150W - 277V - MLV Dimming

06 FINISHES

Stainless Steel Finishes

MAS, POS

IMPORTANT: Transformer wattage MUST be calculated based on the total load of the luminaires it will support.

In-grade HP2 - Square Grout Mask - Remote Transformer - Stainless Steel

Date Project Type

Transformers

Power Supply	Control	Max Load (W)	Input Voltage	Power Factor	THD (%)	Operation Ambient Temperature	Output Current	Circuit Breaker	Min Load (W)
TR-75-277-MLV	MLV	75	277V			-30°C to 105°C	12Vac	-	
TR-75-120-MLV	MLV	75	120V			-30°C to 105°C	12Vac	-	
TR-150-120-MLV	MLV	150	120V			-30°C to 105°C	12Vac	-	
TR-150-277-MLV	MLV	150	277V			-30°C to 105°C	12Vac	-	

In-grade HP2 - Square Grout Mask - Remote Transformer - Stainless Steel

Date

Project

Type

Technical

Body: Corrosion-free composite, made from high strength, thermo-formed, sheet molded polyester compound. Glass reinforced, flame retardant with knockout plugs and four (4) side flats for 1/2" or 3/4" conduit adapters.

Material Detail: Furnished in stainless steel (304).

Installation: Integral, aluminum concrete pour collar (CPC) permits direct burial in soil or concrete. Consult Drainage Installation Guide for In-Grade Fixtures (DIG-IT) for compliance with proper soil preparation and drainage requirements prior to installation.

Finish: Stainless Steel Finishes

Finish Detail: Metal finish option only for stainless steel material.

Warranty: 5-year limited warranty.

Certification: UL tested to IESNA LM-79. UL Listed. Certified to CAN/CSA/ANSI Standards.

IMPORTANT: Transformer wattage MUST be calculated based on the total load of the luminaires it will support.

In-grade HP2 - Square Grout Mask - Remote Transformer - Stainless Steel

Date

Project

Type

Finishes

STAINLESS STEEL FINISHES



[MAS]
Machined
(Stainless
Steel)



[POS] Polished
(Stainless
Steel)