

# Tree Strap MB2 - 72" - Aluminum

Date

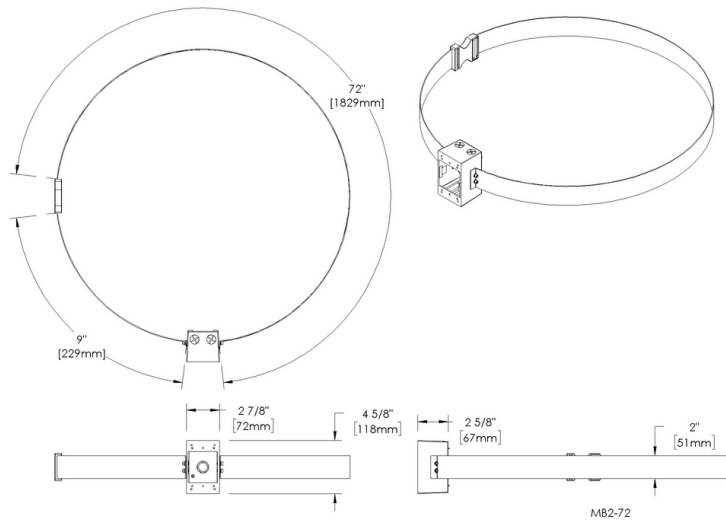
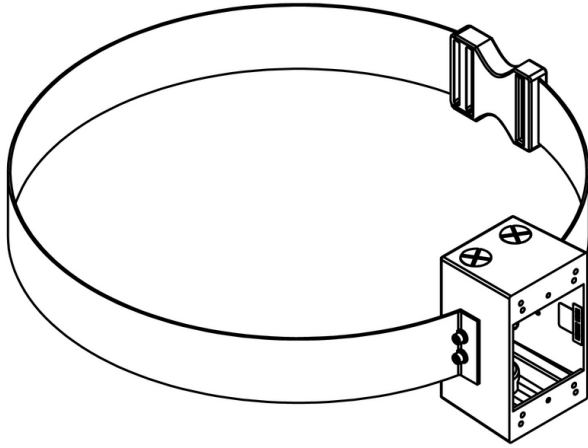
Project

Type



## Downloads

- Product Image
- Technical Drawing
- 2D (.dwg)
- 2D (.dxf)





# Tree Strap MB2 - 72" - Aluminum

Date Project Type

--	--	--

## Technical

**Body:** Cast box.

**Material Detail:** Furnished in copper-free aluminum (6061-T6).

**Installation:** Tree Strap mounting system facilitates non-invasive installation. Adjustable nylon strap is mold and mildew resistant and will not hinder tree growth.

**Finish:** Standard Finishes, Premium Finishes, Other - RAL, Other - Custom Color

**Note:** All line and low voltage connections must be made in compliance with the National Electrical Code. Failure to do so will void warranty.

**Finish Detail:** StarGuard, our 15-stage chromate-free process, cleans and conversion coats aluminum components prior to application of Class 'A' TGIC polyester powder coating. It is RoHS compliant.

**Warranty:** 5-year limited warranty.

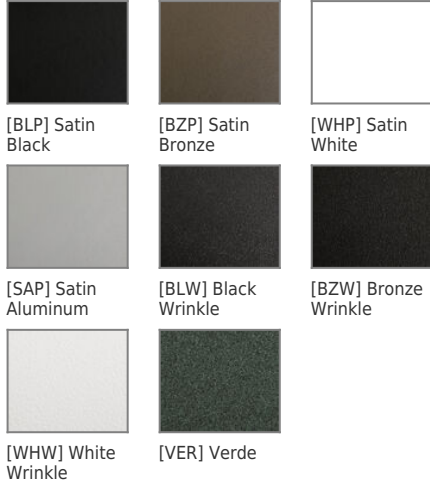
**Certification:** RoHS compliant components.

Tree Strap  
**Tree Strap MB2 - 72" - Aluminum**

Date  Project  Type

**Finishes**

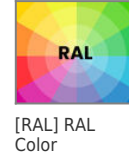
**STANDARD FINISHES**



**PREMIUM FINISHES**



**OTHER - RAL**



**OTHER - CUSTOM COLOR**

