

Power Canopy PC1 - Remote Two Transformers - Brass

Date

Project

Type



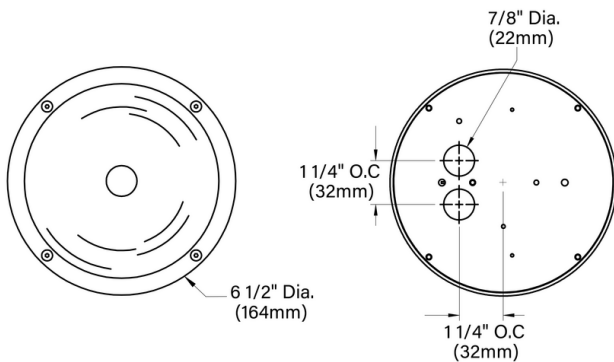
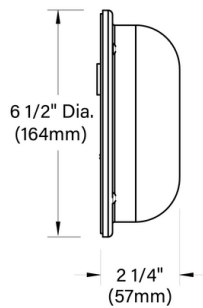
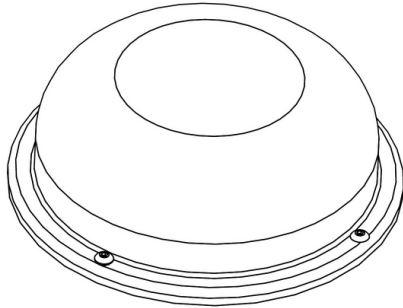
RoHS



Downloads

[Product Image](#)

[Technical Drawing](#)



Power Canopy PC1 - Remote Two Transformers - Brass

Date	Project	Type
<input type="text"/>	<input type="text"/>	<input type="text"/>

Configure

PC1 - **TRT-RM -** **BR -** **___ -** **___ -**
 01 03 04 05 06

Power Canopy PC1 - Remote Two Transformers - Brass

01 ACCESSORIES

PC1 - Power Canopy PC1

03 VERSION

TRT-RM - Remote Two Transformers

04 MATERIAL

BR - Brass

05 POWER SUPPLY

QT10-120-MLV - 10W - 120V - MLV Dimming

QT10-277-MLV - 10W - 277V - MLV Dimming

QT20-120-MLV - 20W - 120V - MLV Dimming

QT20-277-MLV - 20W - 277V - MLV Dimming

TRe20-MT-NON - 20W - 120V to 277V - Non-dimming

TRSS75-120-ELV - 60W - 120V - ELV Dimming

TRSS75-277-NON - 75W - 277V - Non-dimming

06 FINISHES

Standard Finishes

BLP, BZP, WHP, SAP, BLW, BZW, WHW, VER

Premium Finishes

CMG, SMG, RMG, AMG, TXF, BCM, BGE, WCP, OCP, HUG, ABP, BPP,

SDS, WIR, CAP, CRM, AQW, NBP

Brass Finishes

MAB, POB, MIT

Other - RAL

RAL

Other - Custom Color

CUS

IMPORTANT: Transformer wattage MUST be calculated based on the total load of the luminaires it will support.

Power Canopy PC1 - Remote Two Transformers - Brass

Date Project Type

Transformers

Power Supply	Control	Max Load (W)	Input Voltage	Power Factor	THD (%)	Operation Ambient Temperature	Output Current	Circuit Breaker	Min Load (W)
QT10-120-MLV	MLV	10	120V				12V	-	
QT10-277-MLV	MLV	10	277V				12V	-	
TRe20-MT-NON	NON	20	-	90		-30°C to 90°C	15VDC +/-5%	-	1
QT20-120-MLV	MLV	20	120V				12V	-	
QT20-277-MLV	MLV	20	277V				12V	-	
TRSS75-120-ELV	ELV	60	120V	95		-30°C to 90°C	12VAC	-	0
TRSS75-277-NON	NON	60	277V	95	13	40°C	12VDC	-	0

Power Canopy PC1 - Remote Two Transformers - Brass

Date

Project

Type

Technical

Body: Machined canopy. Gasket provides watertight seal.

Material Detail: Furnished in brass (260).

Installation: Two wire entrance knockouts will accept 1/2" conduit or Romex connectors. Four 3/16" wall plate mounting holes (mounting hardware by others).

Finish: Standard Finishes, Premium Finishes, Brass Finishes, Other - RAL, Other - Custom Color

Finish Detail: Powder coat or metal finish options available for brass material.

Warranty: 5-year limited warranty.

Certification: RoHS compliant components., UL tested to IESNA LM-79. UL Listed. Certified to CAN/CSA/ANSI Standards.

IMPORTANT: Transformer wattage MUST be calculated based on the total load of the luminaires it will support.

Power Canopy PC1 - Remote Two Transformers - Brass

Date

Project

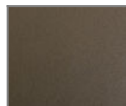
Type

Finishes

STANDARD FINISHES



[BLP] Satin Black



[BZP] Satin Bronze



[WHP] Satin White



[SAP] Satin Aluminum



[BLW] Black Wrinkle



[BZW] Bronze Wrinkle

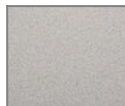


[WHW] White Wrinkle



[VER] Verde

PREMIUM FINISHES



[CMG] Cascade Mountain Granite



[SMG] Sierra Mountain Granite



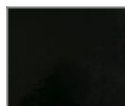
[RMG] Rocky Mountain Granite



[AMG] Aleutian Mountain Granite



[TXF] Textured Forest



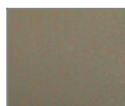
[BCM] Black Chrome



[BGE] Beige



[WCP] Weathered Copper



[OCP] Old Copper



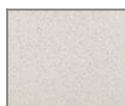
[HUG] Hunter Green



[ABP] Antique Brass Powder



[BPP] Brown Patina Powder



[SDS] Sonoran Desert Sandstone



[WIR] Weathered Iron



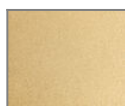
[CAP] Clear Anodized Powder



[CRM] Cream



[AQW] Antique White



[NBP] Natural Brass Powder

BRASS FINISHES



[MAB] Machined (Brass)



[POB] Polished (Brass)



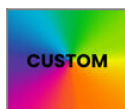
[MIT] Mitique

OTHER - RAL



[RAL] RAL Color

OTHER - CUSTOM COLOR



[CUS] Custom Color