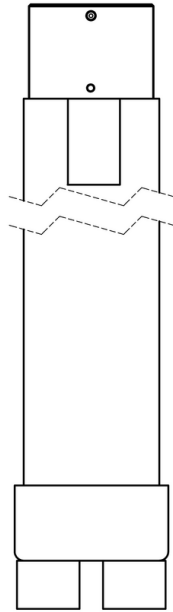


Pipe
Pipe PI2 - 12" Junction Box - Single - Aluminum

Date Project Type

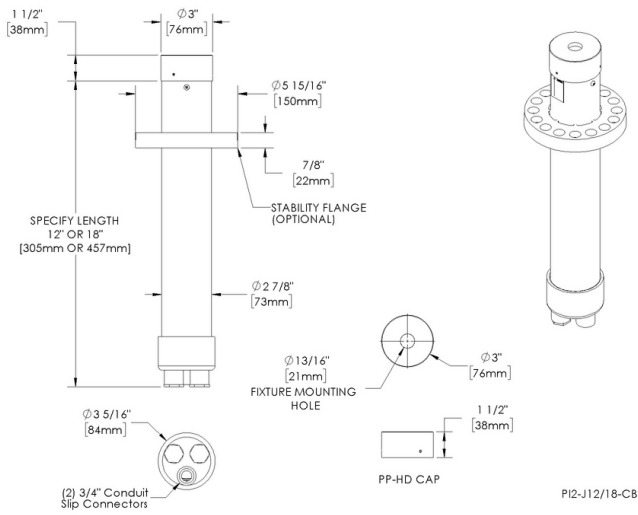


RoHS



Downloads

- Installation Instructions
- Product Image
- Technical Drawing
- 2D (.dwg)
- 2D (.dxf)



Pipe

Pipe PI2 - 12" Junction Box - Single - Aluminum

Date

Project

Type

Configure

PI2 - 01	J12 - 02	SI - 03	AL - 04	___ - 06
--------------------	--------------------	-------------------	-------------------	--------------------

Pipe PI2 - 12" Junction Box - Single - Aluminum

01 ACCESSORIES

PI2 - Pipe PI2

02 MOUNT

J12 - 12" Junction Box

03 VERSION

SI - Single

04 MATERIAL

AL - Aluminum

06 FINISHES

Standard Finishes

BLP, BZP, WHP, SAP, BLW, BZW, WHW, VER

Premium Finishes

CMG, SMG, RMG, AMG, TXF, BCM, BGE, WCP, OCP, HUG, ABP, BPP, SDS, WIR, CAP, CRM, AQW, NBP

Other - RAL

RAL

Other - Custom Color

CUS

Pipe PI2 - 12" Junction Box - Single - Aluminum

Date

Project

Type

Technical

Body: Machined cap.

Material Detail: Furnished in copper-free aluminum (6061-T6).

Installation: Stability Flange included., 2" Schedule 80 PVC pipe. For direct burial in soil or concrete. Includes two (2) 1/2" PVC slip connectors for branch circuit wiring.

Finish: Standard Finishes, Premium Finishes, Other - RAL, Other - Custom Color

Note: All line and low voltage connections must be made in compliance with the National Electrical Code. Failure to do so will void warranty.

Finish Detail: StarGuard, our 15-stage chromate-free process, cleans and conversion coats aluminum components prior to application of Class 'A' TGIC polyester powder coating. It is RoHS compliant.

Warranty: 5-year limited warranty.

Certification: RoHS compliant components., UL tested to IESNA LM-79. UL Listed. Certified to CAN/CSA/ANSI Standards.

Pipe
Pipe PI2 - 12" Junction Box - Single - Aluminum

Date Project Type

Finishes

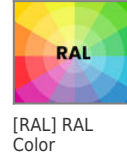
STANDARD FINISHES



PREMIUM FINISHES



OTHER - RAL



OTHER - CUSTOM COLOR

