

# Universal Power Module PM2 - Tree Strap Mount - 48" - With Safety Cable and Mounting Brackets - Remote Two Transformers - Aluminum

Date

Project

Type



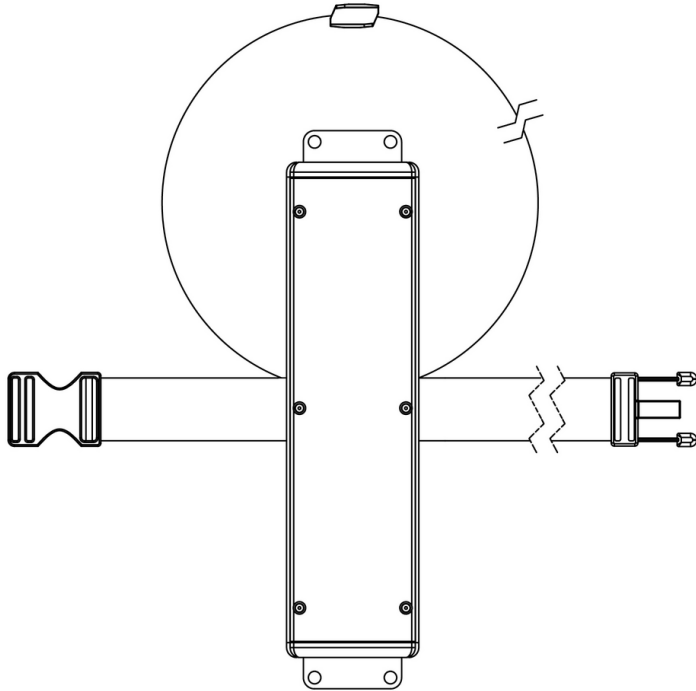
IP66

RoHS



[Downloads](#)

[Product Image](#)



# Universal Power Module PM2 - Tree Strap Mount - 48" - With Safety Cable and Mounting Brackets - Remote Two Transformers - Aluminum

Date  Project  Type

## Configure

**PM2 -** **TS-48-MB -** **TRT-RM -** **AL -** **\_\_\_ -** **\_\_\_ -**  
 01            02            03            04            05            06

Universal Power Module PM2 - Tree Strap Mount - 48" - With Safety Cable and Mounting Brackets - Remote Two Transformers - Aluminum

### 01 ACCESSORIES

**PM2** - Universal Power Module PM2

### 02 MOUNT

**TS-48-MB** - Tree Strap Mount - 48" - With Safety Cable and Mounting Brackets

### 03 VERSION

**TRT-RM** - Remote Two Transformers

### 04 MATERIAL

**AL** - Aluminum

### 05 POWER SUPPLY

**TRe20-MT-NON** - 20W - 120V to 277V - Non-dimming

**TRSS75-120-ELV** - 60W - 120V - ELV Dimming

**TRSS75-277-NON** - 75W - 277V - Non-dimming

### 06 FINISHES

Standard Finishes

**BLP, BZP, WHP, SAP, BLW, BZW, WHW, VER**

Premium Finishes

**CMG, SMG, RMG, AMG, TXF, BCM, BGE, WCP, OCP, HUG, ABP, BPP,**

**SDS, WIR, CAP, CRM, AQW, NBP**

Other - RAL

**RAL**

Other - Custom Color

**CUS**

**IMPORTANT: Transformer wattage MUST be calculated based on the total load of the luminaires it will support.**

# Universal Power Module PM2 - Tree Strap Mount - 48" - With Safety Cable and Mounting Brackets - Remote Two Transformers - Aluminum

Date  Project  Type

## Transformers

| Power Supply   | Control | Max Load (W) | Input Voltage | Power Factor | THD (%) | Operation Ambient Temperature | Output Current | Circuit Breaker | Min Load (W) |
|----------------|---------|--------------|---------------|--------------|---------|-------------------------------|----------------|-----------------|--------------|
| TRe20-MT-NON   | NON     | 20           | -             | 90           |         | -30°C to 90°C                 | 15VDC +/-5%    | -               | 1            |
| TRSS75-120-ELV | ELV     | 60           | 120V          | 95           |         | -30°C to 90°C                 | 12VAC          | -               | 0            |
| TRSS75-277-NON | NON     | 60           | 277V          | 95           | 13      | 40°C                          | 12VDC          | -               | 0            |

# Universal Power Module PM2 - Tree Strap Mount - 48" - With Safety Cable and Mounting Brackets - Remote Two Transformers - Aluminum

Date

Project

Type

## Technical

**Body:** Furnished in copper-free aluminum (6061-T6).

**Material Detail:** Furnished in copper-free aluminum (6061-T6).

**Installation:** Tree Strap mounting system facilitates non-invasive installation. Adjustable nylon strap is mold and mildew resistant and will not hinder tree growth. Stainless steel safety cable maintains UPM mounting when nylon strap is disengaged.

**Finish:** Standard Finishes, Premium Finishes, Other - RAL, Other - Custom Color

**Finish Detail:** StarGuard, our 15-stage chromate-free process, cleans and conversion coats aluminum components prior to application of Class 'A' TGIC polyester powder coating. It is RoHS compliant.

**Warranty:** 5-year limited warranty.

**Certification:** RoHS compliant components., UL tested to IESNA LM-79. UL Listed. Certified to CAN/CSA/ANSI Standards.

**IMPORTANT: Transformer wattage MUST be calculated based on the total load of the luminaires it will support.**

# Universal Power Module PM2 - Tree Strap Mount - 48" - With Safety Cable and Mounting Brackets - Remote Two Transformers - Aluminum

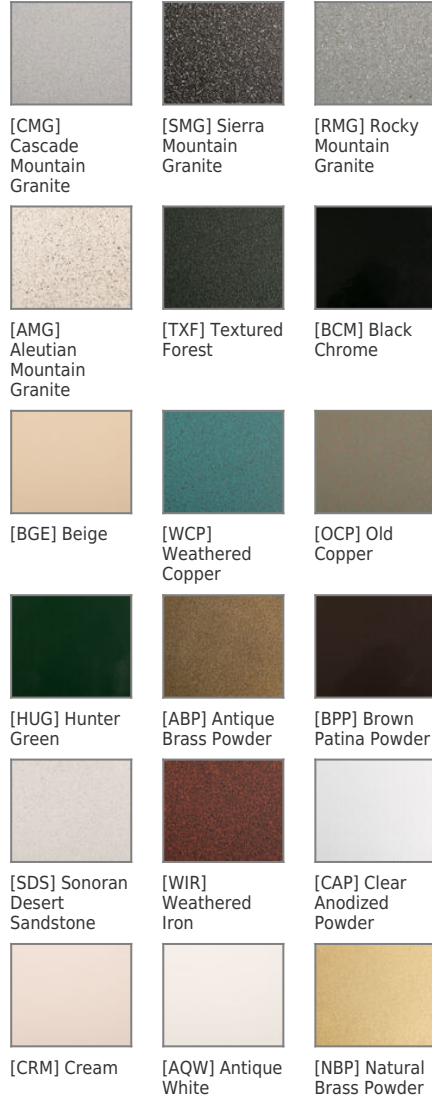
Date  Project  Type

## Finishes

### STANDARD FINISHES



### PREMIUM FINISHES



### OTHER - RAL



### OTHER - CUSTOM COLOR



[CUS] Custom Color