

Driver Within Junction Box

Universal Power Module PM2 - Tree Strap Mount - Custom - With Safety Cable - Remote Two Drivers - Aluminum

Date

Project

Type

Page: 1 of 5



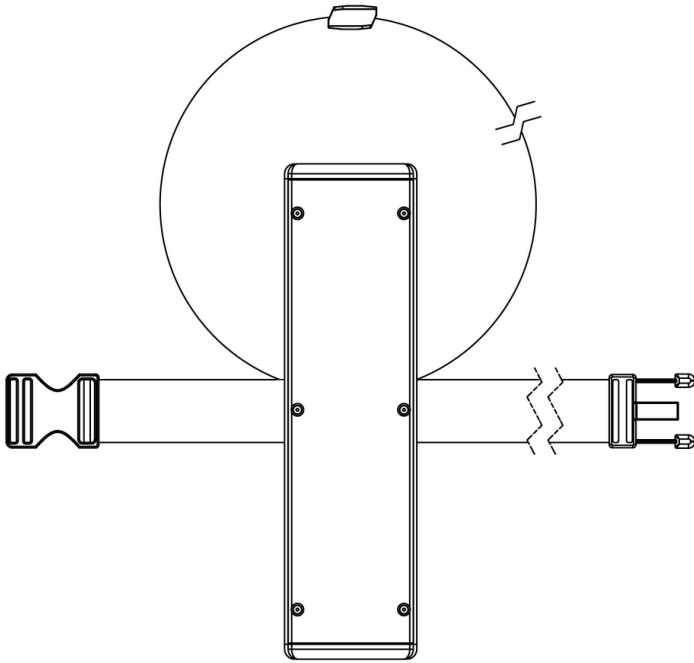
IP66

RoHS



[Downloads](#)

[Product Image](#)



Universal Power Module PM2 - Tree Strap Mount - Custom - With Safety Cable - Remote Two Drivers - Aluminum

Date Project Type

Configure

PM2 - 01 **TS-CS -** 02 **DRT-RM -** 03 **AL -** 04 **___ -** 05 **___ -** 06

Universal Power Module PM2 - Tree Strap Mount - Custom - With Safety Cable - Remote Two Drivers - Aluminum

01 ACCESSORIES

PM2 - Universal Power Module PM2

02 MOUNT

TS-CS - Tree Strap Mount - Custom - With Safety Cable

03 VERSION

DRT-RM - Remote Two Drivers

04 MATERIAL

AL - Aluminum

05 POWER SUPPLY

- LCB-10W-MT-010** - LCB - 10W - 120V,277V - 0-10V
- LCB-10W-MT-ELV** - LCB - 10W - 120V,277V - ELV Dimming (120V dimming only)
- LCB-10W-MT-INC** - LCB - 10W - 120V,277V - INC Dimming (120V dimming only)
- LCB-12W-MT-010** - LCB - 12W - 120V,277V - 0-10V
- LCB-12W-MT-ELV** - LCB - 12W - 120V,277V - ELV Dimming (120V dimming only)
- LCB-12W-MT-INC** - LCB - 12W - 120V,277V - INC Dimming (120V dimming only)
- LCB-20W-MT-010** - LCB - 20W - 120V,277V - 0-10V
- LCB-20W-MT-ELV** - LCB - 20W - 120V,277V - ELV Dimming (120V dimming only)
- LCB-20W-MT-INC** - LCB - 20W - 120V,277V - INC Dimming (120V dimming only)
- LCB-27W-MT-010** - LCB - 27W - 120V,277V - 0-10V
- LCB-27W-MT-ELV** - LCB - 27W - 120V,277V - ELV Dimming (120V dimming only)
- LCB-27W-MT-INC** - LCB - 27W - 120V,277V - INC Dimming (120V dimming only)

06 FINISHES

Standard Finishes

BLP, BZP, WHP, SAP, BLW, BZW, WHW, VER

Premium Finishes

CMG, SMG, RMG, AMG, TXF, BCM, BGE, WCP, OCP, HUG, ABP, BPP, SDS, WIR, CAP, CRM, AQW, NBP

Other - RAL

RAL

Other - Custom Color

CUS

IMPORTANT: Driver wattage MUST match selected fixture wattage. (example: 12W Light Source = 12W Driver)"

Universal Power Module PM2 - Tree Strap Mount - Custom - With Safety Cable - Remote Two Drivers - Aluminum

Date Project Type

Drivers

Power Supply	Control	Input Voltage	Power Factor	THD (%)	Operation Ambient Temperature	InRush Current	Output Current	Output Power (Max-W)	Output Voltage (Range)	Dimming (Range)
LCB-10W-MT-010	010	120V,277V	0	0	-	-	350mA	15	21-32Vdc	1-100%
LCB-10W-MT-ELV	ELV	120V	0	0	-	-	350mA	15	21-32Vdc	1-100%
LCB-12W-MT-010	010	120V,277V	0.9	<20%	-	-	-	-	-	-
LCB-12W-MT-ELV	ELV	120V	0.9	<20%	-	-	700mA	30	-	-
LCB-12W-MT-INC	INC	120V,277V	-	-	-	-	-	-	-	-
LCB-20W-MT-010	010	120V,277V	0.9	<20%	90°C	-	700mA	30	-	-
LCB-20W-MT-ELV	ELV	120V	0.9	<20%	-	-	700mA	30	-	-
LCB-20W-MT-INC	INC	120V	1000	1000	-	1000	700mA	21	20-30Vdc	1-100%
LCB-27W-MT-010	010	120V,277V	>0.9	<20	-30°C to 90°C	-	250mA-1100mA	29.4	14-56v	1-100%
LCB-27W-MT-ELV	ELV	120V,277V	>0.9	<20	-30°C to 90°C	-	250mA-1100mA	29.4	14-56v	1-100%
LCB-27W-MT-INC	INC	120V,277V	>0.9	<20	-30°C to 90°C	-	250mA-1100mA	29.4	14-56v	1-100%

Universal Power Module PM2 - Tree Strap Mount - Custom - With Safety Cable - Remote Two Drivers - Aluminum

Date

Project

Type

Technical

Body: Furnished in copper-free aluminum (6061-T6).

Material Detail: Furnished in copper-free aluminum (6061-T6).

Installation: Tree Strap mounting system facilitates non-invasive installation. Adjustable nylon strap is mold and mildew resistant and will not hinder tree growth. Stainless steel safety cable maintains UPM mounting when nylon strap is disengaged.

Finish: Standard Finishes, Premium Finishes, Other - RAL, Other - Custom Color

Note: Drivers are fixture specific. Driver wattage should match fixture wattage. For questions about driver selection, please contact the factory.

Finish Detail: StarGuard, our 15-stage chromate-free process, cleans and conversion coats aluminum components prior to application of Class 'A' TGIC polyester powder coating. It is RoHS compliant.

Warranty: 5-year limited warranty.

Certification: RoHS compliant components., UL tested to IESNA LM-79. UL Listed. Certified to CAN/CSA/ANSI Standards.

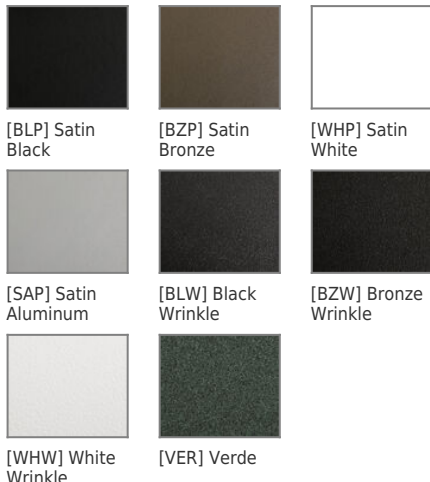
IMPORTANT: Driver wattage MUST match selected fixture wattage. (example: 12W Light Source = 12W Driver)"

Universal Power Module PM2 - Tree Strap Mount - Custom - With Safety Cable - Remote Two Drivers - Aluminum

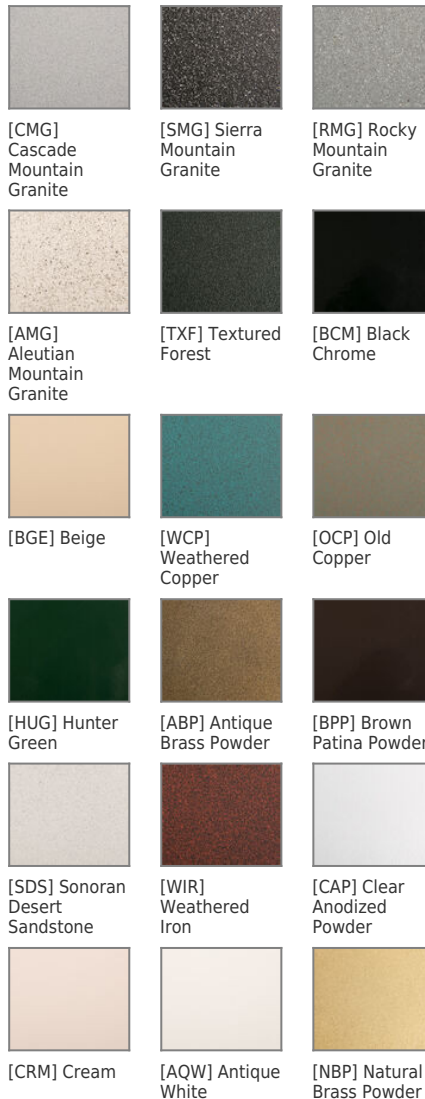
Date Project Type

Finishes

STANDARD FINISHES



PREMIUM FINISHES



OTHER - RAL



[RAL] RAL Color

OTHER - CUSTOM COLOR



[CUS] Custom Color