

# Universal Power Module PM3 - Tree Strap Mount - 24" - With Safety Cable and Mounting Brackets - Single - Aluminum

Date

Project

Type



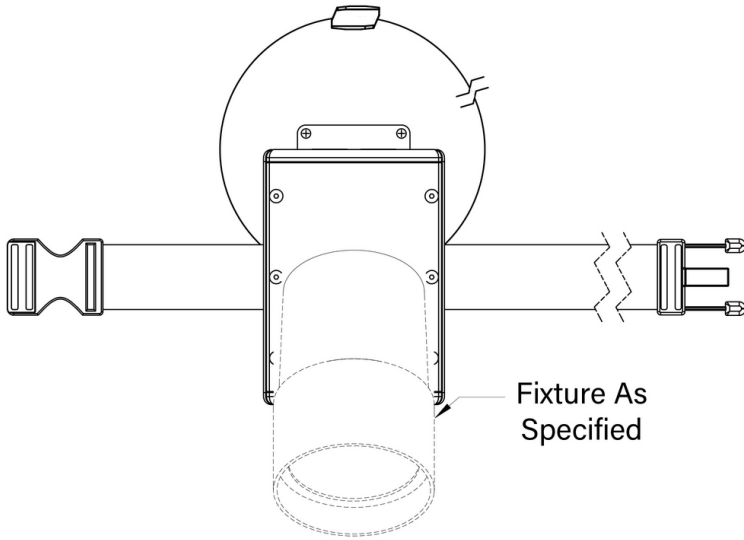
IP66

RoHS



[Downloads](#)

[Product Image](#)



# Universal Power Module PM3 - Tree Strap Mount - 24" - With Safety Cable and Mounting Brackets - Single - Aluminum

Date  Project  Type

## Configure

**PM3 -**      **TS-24-MB -**      **SI -**      **AL -**      **\_\_\_ -**  
 01                      02                      03                      04                      06

Universal Power Module PM3 - Tree Strap Mount - 24" - With Safety Cable and Mounting Brackets - Single - Aluminum

### 01 ACCESSORIES

**PM3** - Universal Power Module PM3

### 02 MOUNT

**TS-24-MB** - Tree Strap Mount - 24" - With Safety Cable and Mounting Brackets

### 03 VERSION

**SI** - Single

### 04 MATERIAL

**AL** - Aluminum

### 06 FINISHES

Standard Finishes

**BLP, BZP, WHP, SAP, BLW, BZW, WHW, VER**

Premium Finishes

**CMG, SMG, RMG, AMG, TXF, BCM, BGE, WCP, OCP, HUG, ABP, BPP, SDS, WIR, CAP, CRM, AQW, NBP**

Other - RAL

**RAL**

Other - Custom Color

**CUS**

# Universal Power Module PM3 - Tree Strap Mount - 24" - With Safety Cable and Mounting Brackets - Single - Aluminum

Date

Project

Type

## Technical

**Body:** Furnished in copper-free aluminum (6061-T6).

**Material Detail:** Furnished in copper-free aluminum (6061-T6).

**Installation:** Tree Strap mounting system facilitates non-invasive installation. Adjustable nylon strap is mold and mildew resistant and will not hinder tree growth. Stainless steel safety cable maintains UPM mounting when nylon strap is disengaged.

**Finish:** Standard Finishes, Premium Finishes, Other - RAL, Other - Custom Color

**Finish Detail:** StarGuard, our 15-stage chromate-free process, cleans and conversion coats aluminum components prior to application of Class 'A' TGIC polyester powder coating. It is RoHS compliant.

**Warranty:** 5-year limited warranty.

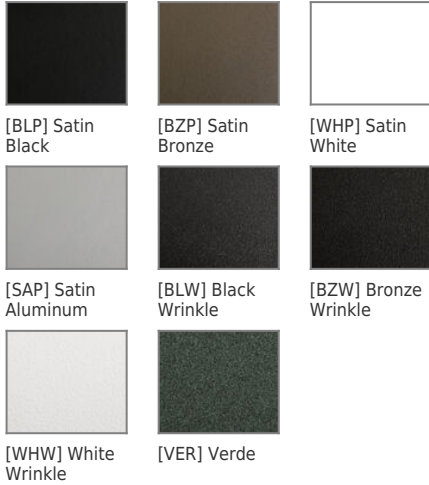
**Certification:** RoHS compliant components., UL tested to IESNA LM-79. UL Listed. Certified to CAN/CSA/ANSI Standards.

# Universal Power Module PM3 - Tree Strap Mount - 24" - With Safety Cable and Mounting Brackets - Single - Aluminum

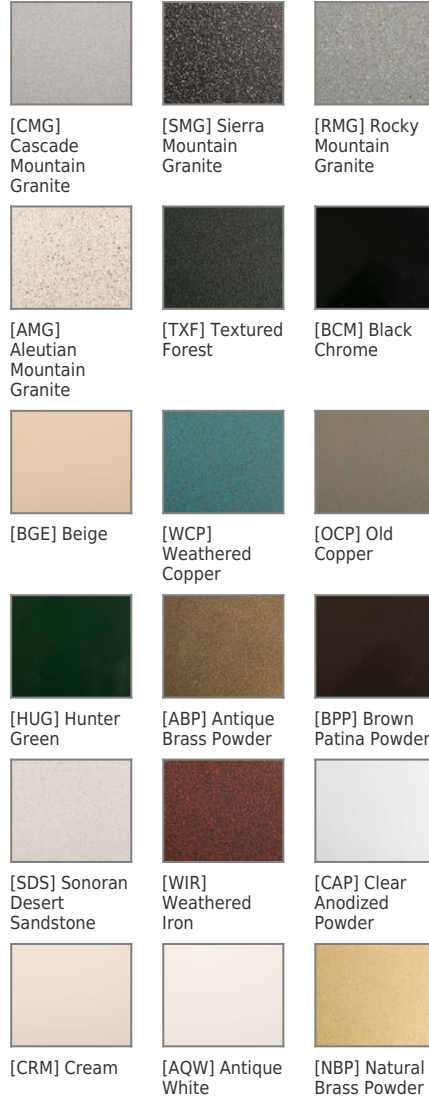
Date  Project  Type

## Finishes

### STANDARD FINISHES



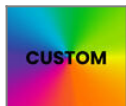
### PREMIUM FINISHES



### OTHER - RAL



### OTHER - CUSTOM COLOR



[CUS] Custom Color