

# Universal Power Module PM3 - Tree Strap Mount - 24" - With Safety Cable - Single - Aluminum

Date

Project

Type



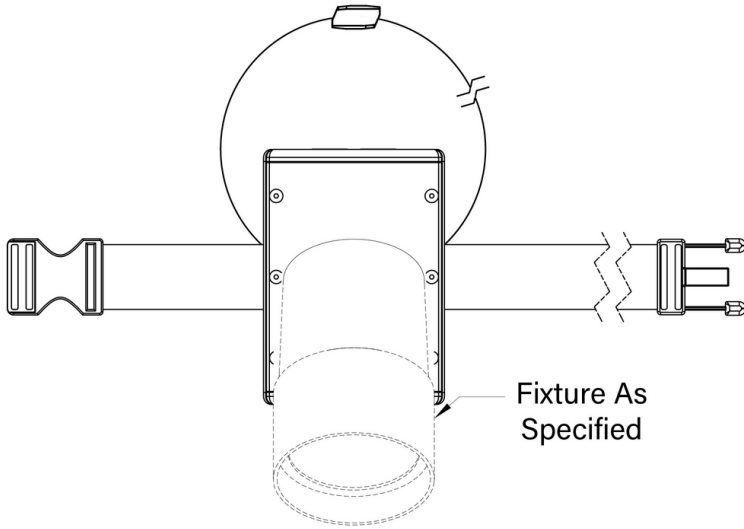
IP66

RoHS



[Downloads](#)

[Product Image](#)



# Universal Power Module PM3 - Tree Strap Mount - 24" - With Safety Cable - Single - Aluminum

Date	Project	Type
<input type="text"/>	<input type="text"/>	<input type="text"/>

## Configure

**PM3 -**                      **TS-24 -**                      **SI -**                      **AL -**                      **\_\_\_ -**  
 01                                      02                                      03                                      04                                      06

Universal Power Module PM3 - Tree Strap Mount - 24" - With Safety Cable - Single - Aluminum

### 01 ACCESSORIES

**PM3** - Universal Power Module PM3

### 02 MOUNT

**TS-24** - Tree Strap Mount - 24" - With Safety Cable

### 03 VERSION

**SI** - Single

### 04 MATERIAL

**AL** - Aluminum

### 06 FINISHES

Standard Finishes

**BLP, BZP, WHP, SAP, BLW, BZW, WHW, VER**

Premium Finishes

**CMG, SMG, RMG, AMG, TXF, BCM, BGE, WCP, OCP, HUG, ABP, BPP, SDS, WIR, CAP, CRM, AQW, NBP**

Other - RAL

**RAL**

Other - Custom Color

**CUS**

# Universal Power Module PM3 - Tree Strap Mount - 24" - With Safety Cable - Single - Aluminum

Date

Project

Type

## Technical

**Body:** Furnished in copper-free aluminum (6061-T6).

**Material Detail:** Furnished in copper-free aluminum (6061-T6).

**Installation:** Tree Strap mounting system facilitates non-invasive installation. Adjustable nylon strap is mold and mildew resistant and will not hinder tree growth. Stainless steel safety cable maintains UPM mounting when nylon strap is disengaged.

**Finish:** Standard Finishes, Premium Finishes, Other - RAL, Other - Custom Color

**Finish Detail:** StarGuard, our 15-stage chromate-free process, cleans and conversion coats aluminum components prior to application of Class 'A' TGIC polyester powder coating. It is RoHS compliant.

**Warranty:** 5-year limited warranty.

**Certification:** RoHS compliant components., UL tested to IESNA LM-79. UL Listed. Certified to CAN/CSA/ANSI Standards.

# Universal Power Module PM3 - Tree Strap Mount - 24" - With Safety Cable - Single - Aluminum

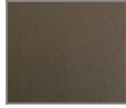
Date  Project  Type

## Finishes

### STANDARD FINISHES



[BLP] Satin Black



[BZP] Satin Bronze



[WHP] Satin White



[SAP] Satin Aluminum



[BLW] Black Wrinkle



[BZW] Bronze Wrinkle



[WHW] White Wrinkle



[VER] Verde

### PREMIUM FINISHES



[CMG] Cascade Mountain Granite



[SMG] Sierra Mountain Granite



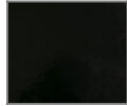
[RMG] Rocky Mountain Granite



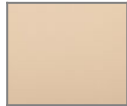
[AMG] Aleutian Mountain Granite



[TXF] Textured Forest



[BCM] Black Chrome



[BGE] Beige



[WCP] Weathered Copper



[OCP] Old Copper



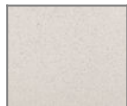
[HUG] Hunter Green



[ABP] Antique Brass Powder



[BPP] Brown Patina Powder



[SDS] Sonoran Desert Sandstone



[WIR] Weathered Iron



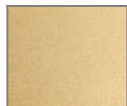
[CAP] Clear Anodized Powder



[CRM] Cream



[AQW] Antique White



[NBP] Natural Brass Powder

### OTHER - RAL



[RAL] RAL Color

### OTHER - CUSTOM COLOR



[CUS] Custom Color