

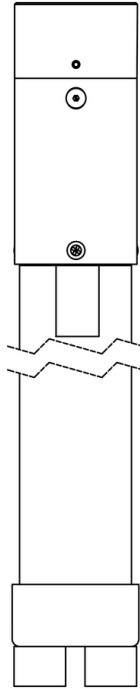
Power Pipe PP1 - 18" Junction Box - Remote Transformer - Aluminum

(formerly Power Pipe / PP with TRSS75 or TRe20)

Date Project Type

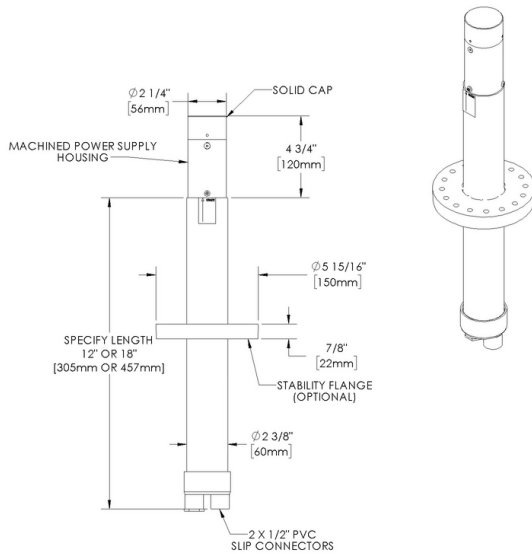


RoHS



Downloads

- Product Image
- Technical Drawing
- 2D (.dwg)
- 2D (.dxf)



PP1-JUNCTION-CC

Power Pipe PP1 - 18" Junction Box - Remote Transformer - Aluminum

(formerly Power Pipe / PP with TRSS75 or TRe20)

Date Project Type

Configure

PP1 - **J18 -** **TR-RM -** **AL -** **___ -** **___ -**
 01 02 03 04 05 06

Power Pipe PP1 - 18" Junction Box - Remote Transformer - Aluminum

01 ACCESSORIES

PP1 - Power Pipe PP1

02 MOUNT

J18 - 18" Junction Box

03 VERSION

TR-RM - Remote Transformer

04 MATERIAL

AL - Aluminum

05 POWER SUPPLY

TRe20-MT-NON - 20W - 120V to 277V - Non-dimming

TRSS75-120-ELV - 60W - 120V - ELV Dimming

TRSS75-277-NON - 75W - 277V - Non-dimming

06 FINISHES

Standard Finishes

BLP, BZP, WHP, SAP, BLW, BZW, WHW, VER

Premium Finishes

CMG, SMG, RMG, AMG, TXF, BCM, BGE, WCP, OCP, HUG, ABP, BPP,

SDS, WIR, CAP, CRM, AQW, NBP

Other - RAL

RAL

Other - Custom Color

CUS

IMPORTANT: Transformer wattage MUST be calculated based on the total load of the luminaires it will support.

Power Pipe PP1 - 18" Junction Box - Remote Transformer - Aluminum

(formerly Power Pipe / PP with TRSS75 or TRe20)

Date Project Type

Transformers

Power Supply	Control	Max Load (W)	Input Voltage	Power Factor	THD (%)	Operation Ambient Temperature	Output Current	Circuit Breaker	Min Load (W)
TRe20-MT-NON	NON	20	-	90		-30°C to 90°C	15VDC +/-5%	-	1
TRSS75-120-ELV	ELV	60	120V	95		-30°C to 90°C	12VAC	-	0
TRSS75-277-NON	NON	60	277V	95	13	40°C	12VDC	-	0

Power Pipe PP1 - 18" Junction Box - Remote Transformer - Aluminum

(formerly Power Pipe / PP with TRSS75 or TRe20)

Date

Project

Type

Technical

Body: Machined cap and power supply housing. Stainless steel hardware. High temperature, silicone 'O' Ring provides watertight seal.

Material Detail: Furnished in copper-free aluminum (6061-T6).

Installation: Stability Flange included., 2" Schedule 80 PVC pipe. For direct burial in soil or concrete. Includes two (2) 1/2" PVC slip connectors for branch circuit wiring.

Finish: Standard Finishes, Premium Finishes, Other - RAL, Other - Custom Color

Finish Detail: StarGuard, our 15-stage chromate-free process, cleans and conversion coats aluminum components prior to application of Class 'A' TGIC polyester powder coating. It is RoHS compliant.

Warranty: 5-year limited warranty.

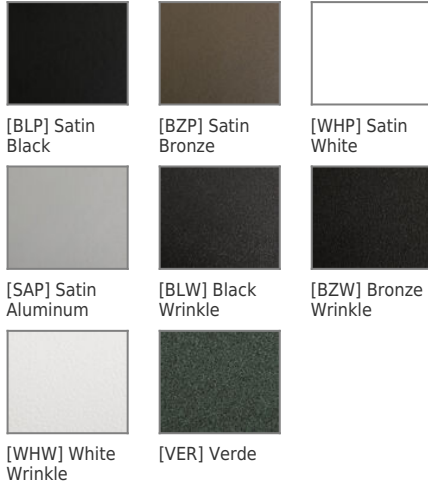
Certification: RoHS compliant components., UL tested to IESNA LM-79. UL Listed. Certified to CAN/CSA/ANSI Standards.

IMPORTANT: Transformer wattage MUST be calculated based on the total load of the luminaires it will support.

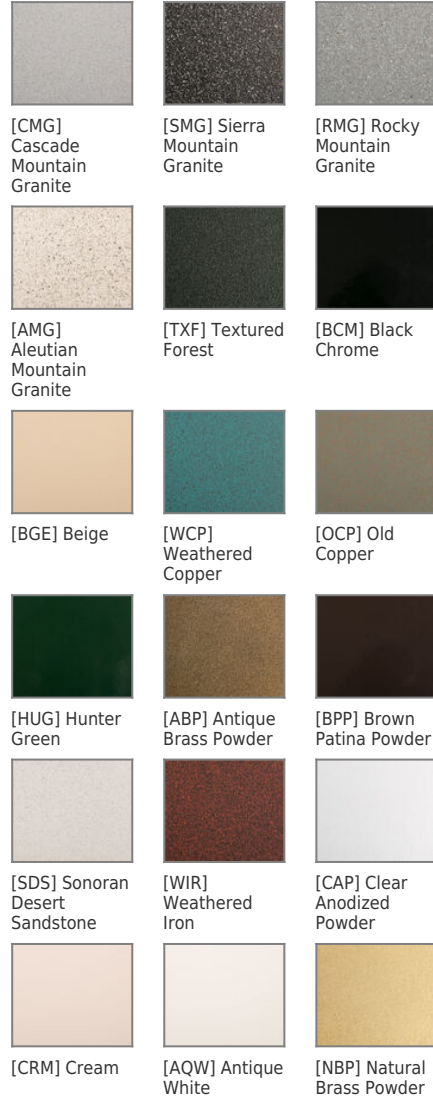
Date Project Type

Finishes

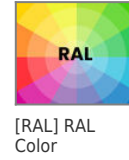
STANDARD FINISHES



PREMIUM FINISHES



OTHER - RAL



OTHER - CUSTOM COLOR

