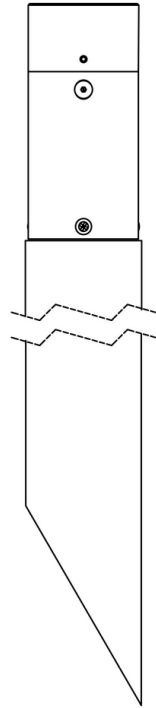


Date \_\_\_\_\_ Project \_\_\_\_\_ Type \_\_\_\_\_

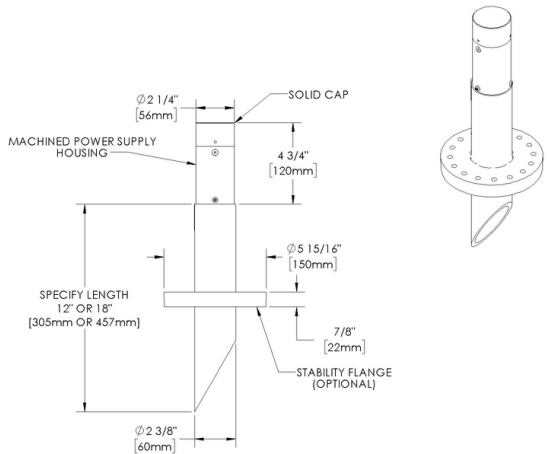


RoHS



**Downloads**

- Product Image
- Technical Drawing
- 2D (.dwg)
- 2D (.dxf)



PP1-STAKE-CC

Date Project Type

[Empty input boxes for Date, Project, and Type]

## Configure

**PP1 -** **S12 -** **TR-RM -** **AL -** **\_\_\_ -** **\_\_\_ -**  
01 02 03 04 05 06

Power Pipe PP1 - 12" Stake - Remote Transformer - Aluminum

### 01 ACCESSORIES

**PP1** - Power Pipe PP1

### 02 MOUNT

**S12** - 12" Stake

### 03 VERSION

**TR-RM** - Remote Transformer

### 04 MATERIAL

**AL** - Aluminum

### 05 POWER SUPPLY

**TRe20-MT-NON** - 20W - 120V to 277V - Non-dimming

**TRSS75-120-ELV** - 60W - 120V - ELV Dimming

**TRSS75-277-NON** - 75W - 277V - Non-dimming

### 06 FINISHES

Standard Finishes

**BLP, BZP, WHP, SAP, BLW, BZW, WHW, VER**

Premium Finishes

**CMG, SMG, RMG, AMG, TXF, BCM, BGE, WCP, OCP, HUG, ABP, BPP, SDS, WIR, CAP, CRM, AQW, NBP**

Other - RAL

**RAL**

Other - Custom Color

**CUS**

**IMPORTANT: Transformer wattage MUST be calculated based on the total load of the luminaires it will support.**

Date  Project  Type 

Page: 3 of 5

## Transformers

Power Supply	Control	Max Load (W)	Input Voltage	Power Factor	THD (%)	Operation Ambient Temperature	Output Current	Circuit Breaker	Min Load (W)
TRe20-MT-NON	NON	20	-	90		-30°C to 90°C	15VDC +/-5%	-	1
TRSS75-120-ELV	ELV	60	120V	95		-30°C to 90°C	12VAC	-	0
TRSS75-277-NON	NON	60	277V	95	13	40°C	12VDC	-	0

Date

Project

Type

## Technical

**Body:** Machined cap and power supply housing. Stainless steel hardware. High temperature, silicone 'O' Ring provides watertight seal.

**Material Detail:** Furnished in copper-free aluminum (6061-T6).

**Installation:** Stability Flange included., 2" Schedule 80 PVC pipe. For direct burial in soil or concrete. 60° angled bottom designed for use with conduit or direct burial low voltage cable.

**Finish:** Standard Finishes, Premium Finishes, Other - RAL, Other - Custom Color

**Finish Detail:** StarGuard, our 15-stage chromate-free process, cleans and conversion coats aluminum components prior to application of Class 'A' TGIC polyester powder coating. It is RoHS compliant.

**Warranty:** 5-year limited warranty.

**Certification:** RoHS compliant components., UL tested to IESNA LM-79. UL Listed. Certified to CAN/CSA/ANSI Standards.

**IMPORTANT: Transformer wattage MUST be calculated based on the total load of the luminaires it will support.**

Date

Project

Type




## Finishes

### STANDARD FINISHES



[BLP] Satin Black



[BZP] Satin Bronze



[WHP] Satin White



[SAP] Satin Aluminum



[BLW] Black Wrinkle



[BZW] Bronze Wrinkle



[WHW] White Wrinkle



[VER] Verde

### PREMIUM FINISHES



[CMG] Cascade Mountain Granite



[SMG] Sierra Mountain Granite



[RMG] Rocky Mountain Granite



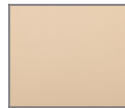
[AMG] Aleutian Mountain Granite



[TXF] Textured Forest



[BCM] Black Chrome



[BGE] Beige



[WCP] Weathered Copper



[OCP] Old Copper



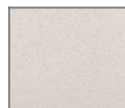
[HUG] Hunter Green



[ABP] Antique Brass Powder



[BPP] Brown Patina Powder



[SDS] Sonoran Desert Sandstone



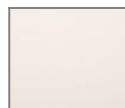
[WIR] Weathered Iron



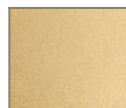
[CAP] Clear Anodized Powder



[CRM] Cream



[AQW] Antique White



[NBP] Natural Brass Powder

### OTHER - RAL



[RAL] RAL Color

### OTHER - CUSTOM COLOR



[CUS] Custom Color