

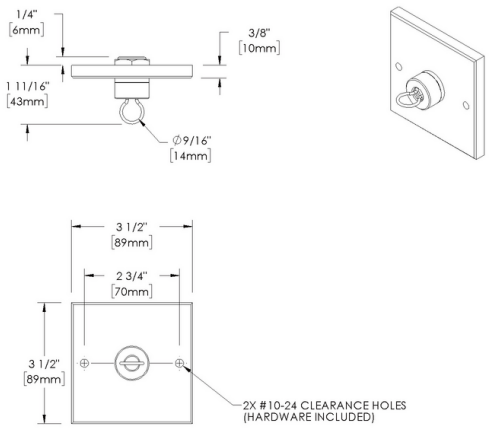
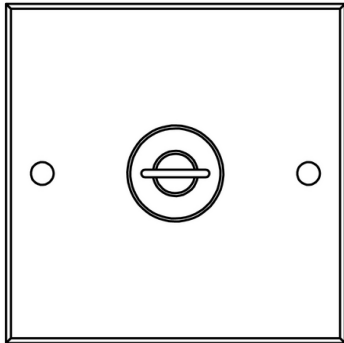
Canopy
Canopy RC9 - Aluminum

Date Project Type



Downloads

- Product Image
- Technical Drawing
- 2D (.dwg)
- 2D (.dxf)



RC9

Canopy
Canopy RC9 - Aluminum

Date	Project	Type
<input type="text"/>	<input type="text"/>	<input type="text"/>

Configure

RC9 - 01	AL - 04	___ - 06
--------------------	-------------------	--------------------

Canopy RC9 - Aluminum

01 ACCESSORIES

RC9 - Canopy RC9

04 MATERIAL

AL - Aluminum

06 FINISHES

Standard Finishes

BLP, BZP, WHP, SAP, BLW, BZW, WHW, VER

Premium Finishes

**CMG, SMG, RMG, AMG, TXF, BCM, BGE, WCP, OCP, HUG, ABP, BPP,
SDS, WIR, CAP, CRM, AQW, NBP**

Other - RAL

RAL

Other - Custom Color

CUS

Canopy
Canopy RC9 - Aluminum

Date Project Type

Page: 3 of 4

Technical

Body: Machined canopy attached to ¾" O.D. black oxide stainless steel mounting ring, which permits cable or hook mounting. Rings are rated at 25lbs. vertical static load under normal installation conditions.

Material Detail: Furnished in copper-free aluminum (6061-T6).

Installation: For use with 3" recessed octagonal junction box or 3" mud ring on 4" octagonal junction box (by others).

Finish: Standard Finishes, Premium Finishes, Other - RAL, Other - Custom Color

Finish Detail: StarGuard, our 15-stage chromate-free process, cleans and conversion coats aluminum components prior to application of Class 'A' TGIC polyester powder coating. It is RoHS compliant.

Warranty: 5-year limited warranty.

Certification: RoHS compliant components.

Canopy
Canopy RC9 - Aluminum

Date Project Type

Finishes

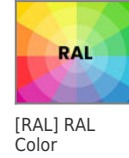
STANDARD FINISHES



PREMIUM FINISHES



OTHER - RAL



OTHER - CUSTOM COLOR

