

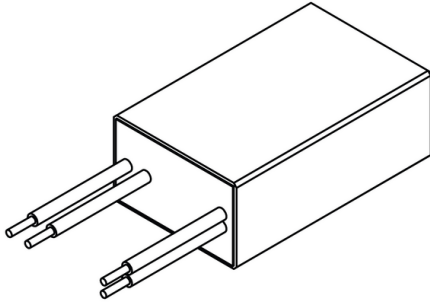
TRSS-75 Electronic Transformer

Date Project Type



[Downloads](#)

[Product Image](#)



TRSS-75 Electronic Transformer

Date Project Type

--	--	--

Configure

TRSS75 -

01

___ -
05

TRSS-75 Electronic Transformer

01 ACCESSORIES

TRSS75 - TRSS-75 Electronic Transformer

05 POWER SUPPLY

120-ELV - 120V - ELV Dimming

277-NON - 277V - Non-dimming

IMPORTANT: Transformer wattage MUST be calculated based on the total load of the luminaires it will support.

TRSS-75 Electronic TransformerDate Project Type **Transformers**

Power Supply	Control	Max Load (W)	Input Voltage	Power Factor	THD (%)	Operation Ambient Temperature	Output Current	Circuit Breaker	Min Load (W)
120-ELV	ELV	60	120V	95		-30°C to 90°C	12VAC	-	0
277-NON	NON	60	277V	95	13	40°C	12VDC	-	0

TRSS-75 Electronic Transformer

Date Project Type

Technical

Body: Fully encapsulated, flame retardant plastic casing. Class A Insulation. For use in weather proof enclosure. Suitable for use in ambient temperatures ranging from -10°F to 130°F.

Warranty: 5-year limited warranty.

Certification: UL tested to IESNA LM-79. UL Listed. Certified to CAN/CSA/ANSI Standards.

IMPORTANT: Transformer wattage MUST be calculated based on the total load of the luminaires it will support.